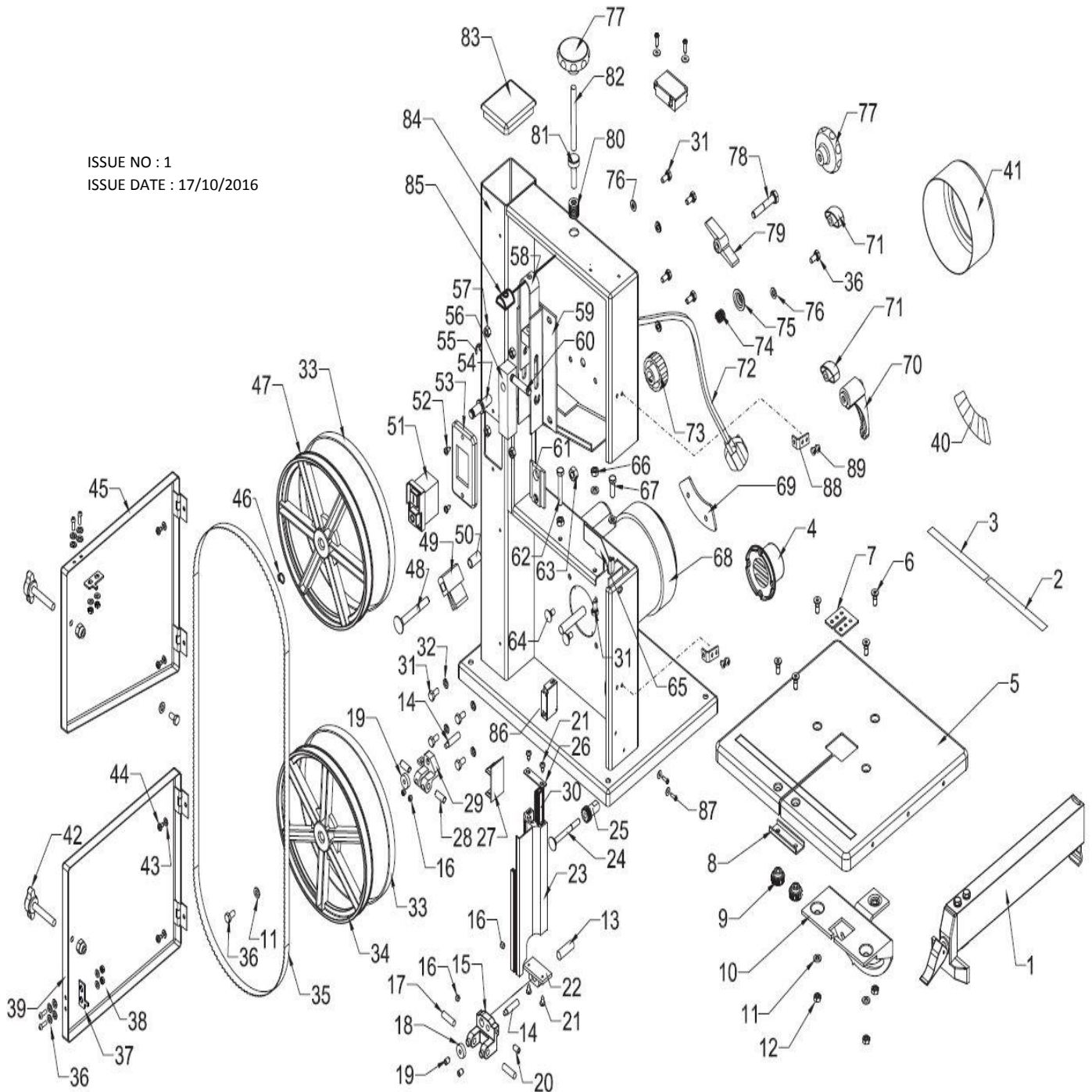


ISSUE NO : 1  
 ISSUE DATE : 17/10/2016





**PARTS FOR:**  
PROFESSIONAL BANDSAW 8"  
**MODELS: SM1303.V2**

## 20F2

ITEM	PART NO	DESCRIPTION	ITEM	PART NO	DESCRIPTION	ITEM	PART NO	DESCRIPTION
1	SM1303.V2-01	RIP FENCE ASSY	32	SM1303.V2-32	SPRING WASHER	60	SM1303.V2-60	PIN GUIDE
2	SM1303.V2-02	SCALE LABEL RIGHT	33	SM1303.V2-33	BAND SAW TYRE	61	SM1303.V2-61	GUIDE PIECE
3	SM1303.V2-03	SCALE LABEL LEFT	34	SM1303.V2-34	LOWER WHEEL	62	SM1303.V2-62	HEX BOLT
4	SM1303.V2-04	SUCTION CONNECTOR	35	SM1303B06	BANDSAW BLADE 6tpi	63	SM1303.V2-63	HEX FLANGED NUT
5	SM1303.V2-05	WORKING TABLE		SM1303B10	BANDSAW BLADE 10tpi	64	SM1303.V2-64	CUP HEAD SQUARE NECK BOLT
6	SM1303.V2-06	COUNTERSUNK HEX HEAD BOLT		SM1303B14	BANDSAW BLADE 14tpi	65	SM1303.V2-65	LOWER BLADE GUARD
7	SM1303.V2-07	TABLE INSERT		SM1303B24	BANDSAW BLADE 24tpi	66	SM1303.V2-66	HEX LOCKING NUT
8	SM1303.V2-08	U-PLATE	36	SM1303.V2-36	BOLT	67	SM1303.V2-67	HEX BOLT
9	SM1303.V2-09	NUT	37	SM1303.V2-37	INSERT SLICE	68	SM1303.V2-68	MOTOR
10	SM1303.V2-10	TABLE SUPPORT	38	SM1303.V2-38	NUT	69	SM1303.V2-69	PLANK
11	SM1303.V2-11	WASHER	39	SM1303.V2-39	DOOR LOWER	70	SM1303.V2-70	LOCKING HANDLE
12	SM1303.V2-12	NUT	40	SM1303.V2-40	ANGEL SCALE LABEL	71	SM1303.V2-71	LOCKING KNOB
13	SM1303.V2-13	LOCKING PIN	41	SM1303.V2-41	FAN COVER	72	SM1303.V2-72	POWER CORD AND PLUG
14	SM1303.V2-14	THRUST BEARING SHAFT	42	SM1303.V2-42	KNOB	73	SM1303.V2-73	SETTING KNOB
15	SM1303.V2-15	HOUSING UPPER GUIDE	43	SM1303.V2-43	WASHER	74	SM1303.V2-74	SPRING
16	SM1303.V2-16	HEX SOCKET SET SCREW	44	SM1303.V2-44	PAN HEAD SCREW	75	SM1303.V2-75	DISHING COVER
17	SM1303.V2-17	UPPER PILOT PIN	45	SM1303.V2-45	DOOR UPPER	76	SM1303.V2-76	WASHER
18	SM1303.V2-18	BEARING	46	SM1303.V2-46	CIRCLIP FOR SHAFT	77	SM1303.V2-77	SETTING KNOB
19	SM1303.V2-19	HEX SOCKET SET SCREW	47	SM1303.V2-47	UPPER WHEEL	78	SM1303.V2-78	HEX BOLT
20	SM1303.V2-20	HEX SOCKET SET SCREW	48	SM1303.V2-48	CUP HEAD SQUARE NECK BOLT	79	SM1303.V2-79	WING KNOB
21	SM1303.V2-21	SELF TAPPING SCREW PAN HEAD	49	SM1303.V2-49	BRUSH	80	SM1303.V2-80	BUTTERFLY SPRING
22	SM1303.V2-22	SEAT UPPER GUIDE	50	SM1303.V2-50	SPACER BUSHING	81	SM1303.V2-81	SHAFT
23	SM1303.V2-23	GUIDE LEVER	51	SM1303.V2-51	SWITCH	82	SM1303.V2-82	THREAD BOLT
24	SM1303.V2-24	CUP HEAD SQUARE NECK BOLT	52	SM1303.V2-52	CROSS COUNTERSUNK HEAD SCREW	83	SM1303.V2-83	LAMELLA PLUG
25	SM1303.V2-25	SHAFT	53	SM1303.V2-53	SWITCH PLATE	84	SM1303.V2-84	FRAME
26	SM1303.V2-26	COVER BOARD	54	SM1303.V2-54	BEARING BOLT UPPER	85	SM1303.V2-85	NUT
27	SM1303.V2-27	SLIDE BOARD	55	SM1303.V2-55	BEARING GASKET	86	SM1303.V2-86	MICRO SWITCH
28	SM1303.V2-28	LOWER PILOT PIN	56	SM1303.V2-56	BEARING BOLT SUPPORT UPPER	87	SM1303.V2-87	SCREW
29	SM1303.V2-29	HOUSING LOWER GUIDE	57	SM1303.V2-57	HEX FLANGED NUT	88	SM1303.V2-88	FIXED PLATES
30	SM1303.V2-30	RACK	58	SM1303.V2-58	BLADE TENSIONER	89	SM1303.V2-89	PAN HEAD SCREW
31	SM1303.V2-31	HEX BOLT	59	SM1303.V2-59	GUIDE PLATE ASSY			



Sole UK Distributor, Sealey Group.  
Kempson Way, Suffolk Business Park,  
Bury St. Edmunds, Suffolk.  
IP32 7AR



01284 757500



01284 703534



[www.sealey.co.uk](http://www.sealey.co.uk)



[sales@sealey.co.uk](mailto:sales@sealey.co.uk)