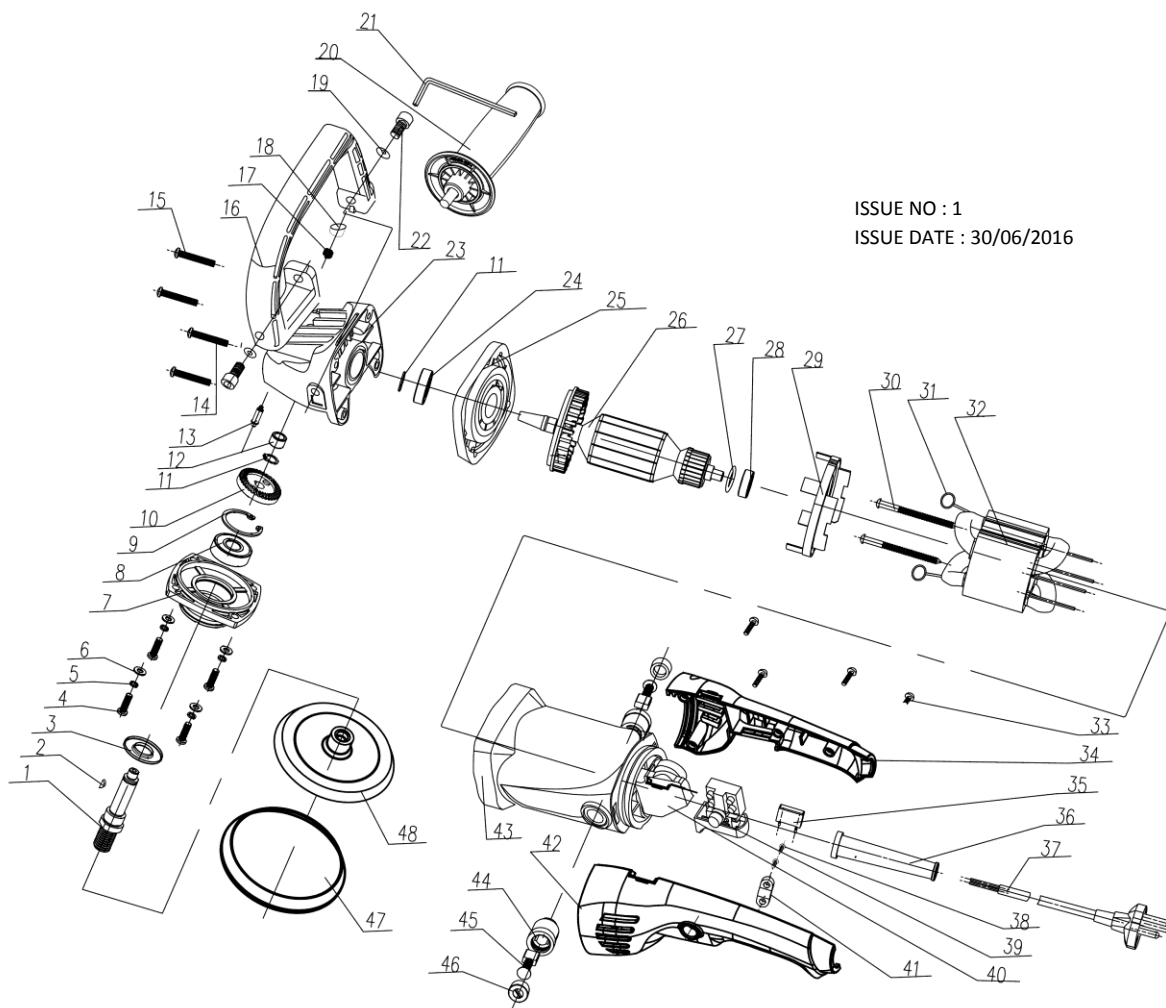




PARTS FOR :
SANDER/POLISHER Ø180mm VARIABLE SPEED 1200W/230V
MODELS: MS875PS



ISSUE NO : 1
 ISSUE DATE : 30/06/2016

ITEM	PART NO	DESCRIPTION	ITEM	PART NO	DESCRIPTION	ITEM	PART NO	DESCRIPTION
1	MS875PS.01	OUTPUT SHAFT	17	MS875PS.17	LOCK PIN SPRING	33	MS875PS.33	SCREW ST4x16
2	MS875PS.02	WOODRUFF KEY (4x13)	18	MS875PS.18	LOCK PIN BUTTON	34	MS875PS.34	HANDLE GRIP, RIGHT
3	MS875PS.03	DUST COVER	19	MS875PS.19	SPACER	35	MS875PS.35	CAPACITOR
4	MS875PS.04	SCREW M5x13	20	MS875PS.20	SIDE HANDLE	36	MS875PS.36	CABLE SLEEVE
5	MS875PS.05	SPRING WASHER M5	21	MS875PS.21	HEX KEY WRENCH	37	MS875PS.37	CABLE
6	MS875PS.06	FLAT WASHER M5	22	MS875PS.22	HEX HEAD SOCKET SCREW M8x16	38	MS875PS.38	SCREW ST4x14-F
7	MS875PS.07	FRONT COVER	23	MS875PS.23	GEARCASE	39	MS875PS.39	SWITCH
8	B/6201	BEARING 6201	24	B/6001	BEARING 6001	40	MS875PS.40	SPEED REGULATOR
9	MS875PS.09	CIRCLIP 32mm	25	MS875PS.25	MIDDLE COVER	41	MS875PS.41	CABLE CLAMP
10	MS875PS.10	GEAR	26	MS875PS.26	ROTOR	42	MS875PS.42	HANDLE GRIP, LEFT
11	MS875PS.11	CIRCLIP 12mm	27	MS875PS.27	INSULATION PIECE	43	MS875PS.43	MOTOR HOUSING
12	B/HK0808	NEEDLE BEARING HK0808	28	B/608Z	BEARING 608Z	44	MS875PS.44	BRUSH HOLDER
13	MS875PS.13	LOCK PIN	29	MS875PS.29	AIR GUIDE	45	MS875PS.45	CARBON BRUSH
14	MS875PS.14	SCREW ST5x30-F	30	MS875PS.30	SCREW ST5x65-F	46	MS875PS.46	BRUSH HOLDER CAP
15	MS875PS.15	SCREW ST5x45-F	31	MS875PS.31	TENSION SPRING	47	ER/MS/66	POLISHING BONNET 180mm
16	MS875PS.16	MAIN HANDLE (G-SHAPE)	32	MS875PS.32	STATOR	48	MS875PS.48	POLISHING DISC



Sole UK Distributor, Sealey Group.
 Kempson Way, Suffolk Business Park,
 Bury St. Edmunds, Suffolk.
 IP32 7AR

01284 757500
 01284 703534

www.sealey.co.uk
 sales@sealey.co.uk