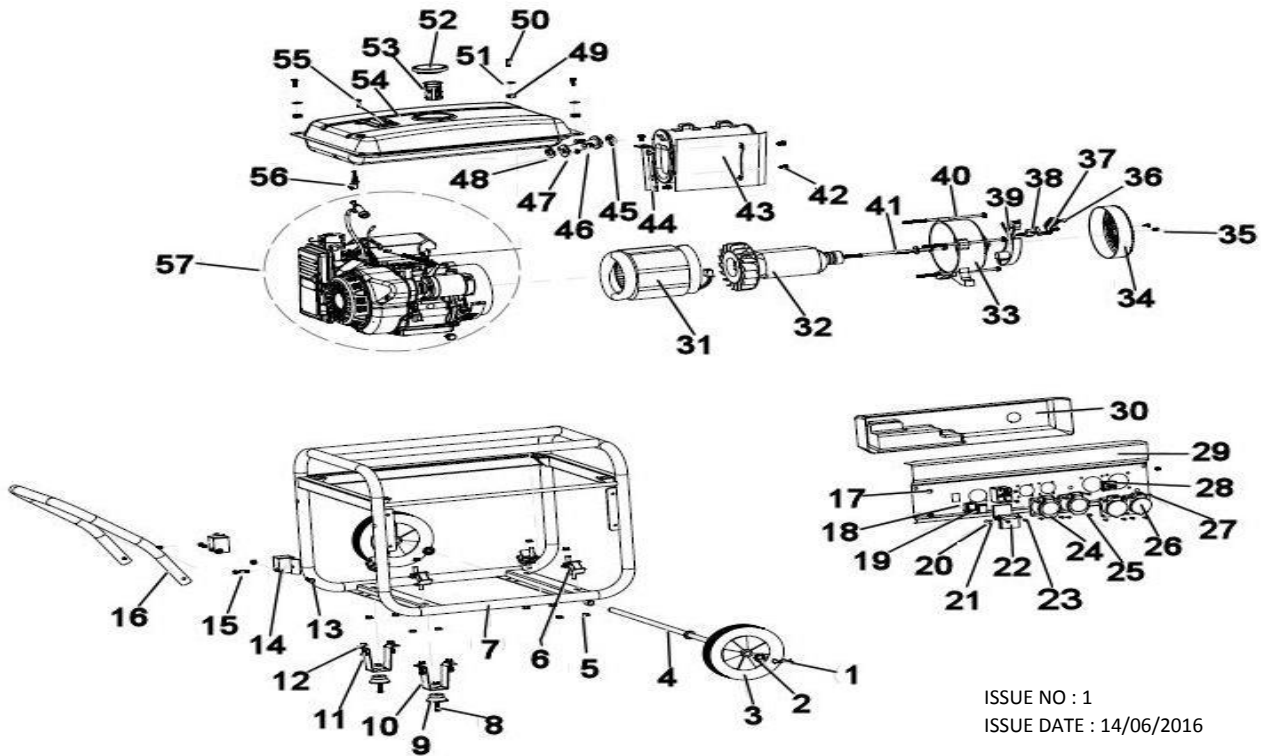




PARTS FOR :
GENERATOR 5500W 13hp
MODELS: G5501



ISSUE NO : 1
 ISSUE DATE : 14/06/2016

ITEM	PART NO	DESCRIPTION	ITEM	PART NO	DESCRIPTION	ITEM	PART NO	DESCRIPTION
1	G5501.01	WHEEL PIN	20	G5501.20	OIL ALARM LIGHT	39	G5501.39	PRESSURE REGULATOR
2	G5501.02	WASHER 15mm	21	G5501.21	VOLTMETER	40	G5501.40	SCREW M6x180
3	G5501.03	WHEEL	22	G5501.22	VOLTMETER COVER	41	G5501.41	CENTRE SCREW M10x265
4	G5501.04	WHEEL AXLE	23	G5501.23	CROSS HEAD SCREW M4x8	42	G5501.42	BOLT M8x16
5	G5501.05	NUT M8	24	G5501.24	PROTECTOR	43	G5501.43	MUFFLER ASS'Y
6	G5501.06	SHOCK ABSORBER (RUBBER)	25	G5501.25	SOCKET (B)	44	G5501.44	MUFFLER SUPPORT
7	G5501.07	FRAME	26	G5501.26	SOCKET (A)	45	G5501.45	MUFFLER GASKET
8	G5501.08	BOLT M8x35	27	G5501.27	CROSS HEAD SCREW M4x12	46	G5501.46	BOLT M8x35
9	G5501.09	RUBBER FOOT	28	G5501.28	CONVERT SWITCH	47	G5501.47	MUFFLER PIPE
10	G5501.10	SUPPORT FRAME	29	G5501.29	CONTROL PANEL	48	G5501.48	MUFFLER GASKET
11	G5501.11	BOLT M8x16	30	G5501.30	PANEL, BACK COVER	49	G5501.49	OIL TANK RUBBER GASKET
12	G5501.12	NUT M8	31	G5501.31	STATOR ASS'Y	50	G5501.50	BOLT M6x25
13	G5501.13	BOLT M8x50	32	G5501.32	ROTOR ASS'Y	51	G5501.51	GASKET 25x6.3
14	G5501.14	HANDLE SUPPORT	33	G5501.33	MOTOR STAND	52	G5501.52	TANK CAP
15	G5501.15	BOLT M8x38	34	G5501.34	MOTOR COVER	53	G5501.53	OIL TANK FILTER
16	G5501.16	HANDLE	35	G5501.35	CROSS HEAD SCREW M5x12	54	G5501.54	OIL TANK
17	G5501.17	BOLT M6x12	36	G5501.36	CROSS HEAD SCREW M5x18	55	G5501.55	FUEL LEVEL GAUGE
18	G5501.18	ENGINE SWITCH	37	G5501.37	TERMINAL	56	G5501.56	TANK SWITCH
19	G5501.19	WATERPROOF PROTECTION	38	G5501.38	CARBON BRUSH	57	G5501.57	ENGINE



Sole UK Distributor,
 Sealey Group, Kempson Way,
 Suffolk Business Park,
 Bury St Edmunds, Suffolk, IP32 7AR

01284 757500
 01284 703534

www.sealey.co.uk
 sales@sealey.co.uk