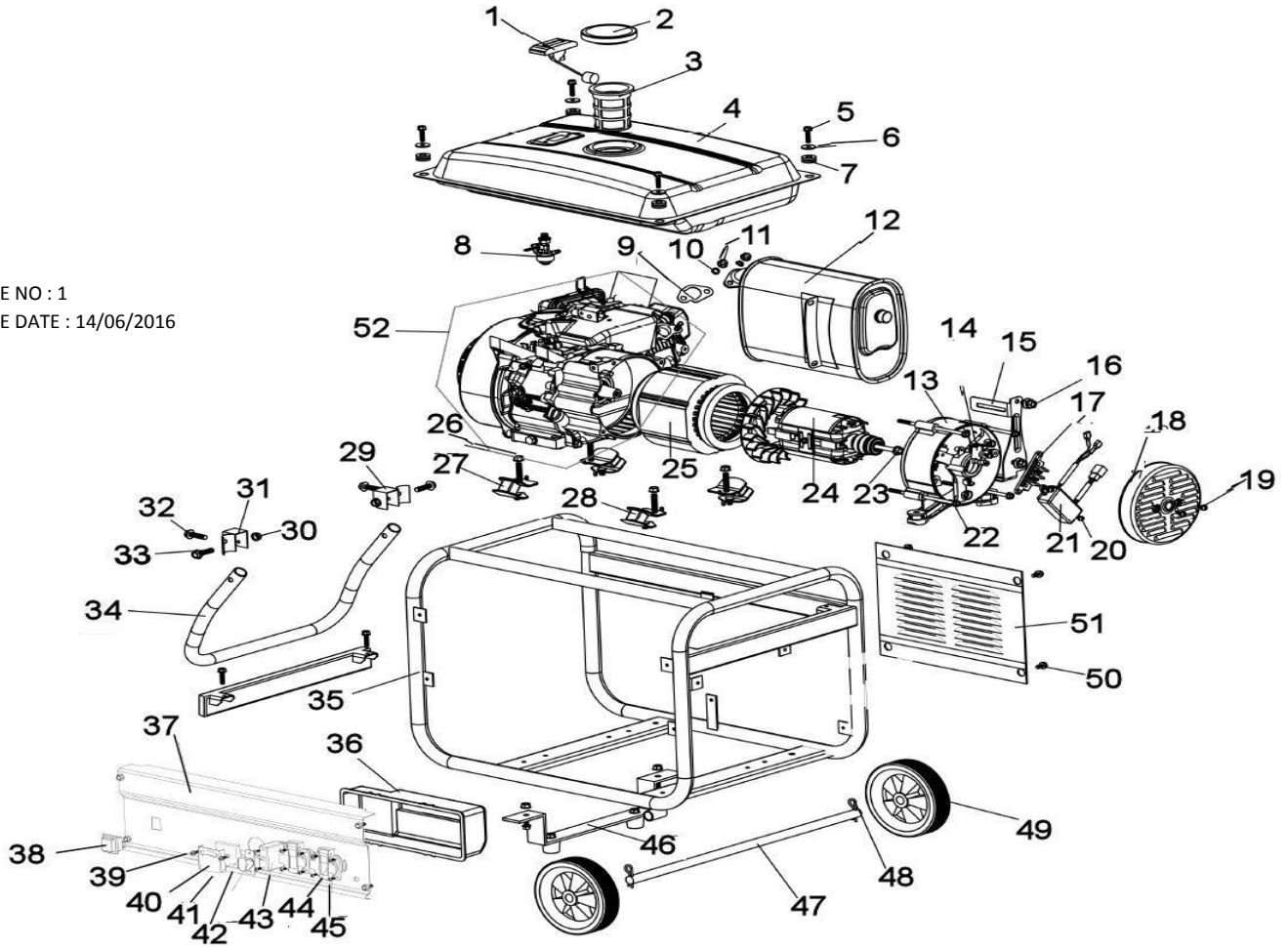




PARTS FOR :
GENERATOR 3100W 7hp
MODELS: G3101

ISSUE NO : 1
 ISSUE DATE : 14/06/2016



ITEM	PART NO	DESCRIPTION	ITEM	PART NO	DESCRIPTION	ITEM	PART NO	DESCRIPTION
1	G3101.01	FUEL LEVEL GAUGE	19	G3101.19	CROSS HEAD SCREW M5x12	37	G3101.37	CONTROL PANEL
2	G3101.02	FUEL TANK CAP	20	G3101.20	CROSS HEAD SCREW M5x16	38	G3101.38	ENGINE SWITCH
3	G3101.03	FUEL TANK FILTER	21	G3101.21	PRESSURE REGULATOR	39	G3101.39	CROSS HEAD BOLT M4x8
4	G3101.04	TANK	22	G3101.22	BOLT M6x170	40	G3101.40	VOLTMETER COVER
5	G3101.05	BOLT (M6x20)	23	G3101.23	BOLT M8x240	41	G3101.41	VOLTMETER
6	G3101.06	GASKET (25x6.3)	24	G3101.24	ROTOR ASS'Y	42	G3101.42	PROTECTION CAP
7	G3101.07	OIL TANK RUBBER GASKET	25	G3101.25	STATOR ASS'Y	43	G3101.43	PROTECTOR
8	G3101.08	FUEL TANK SWITCH	26	G3101.26	NUT M8 (USE G5501.05)	44	G3101.44	SOCKET
9	G3101.09	MUFFLER GASKET	27	G3101.27	SHOCK ABSORBER FOOT (A)	45	G3101.45	CROSS HEAD SCREW M4x12
10	G3101.10	SPRING WASHER	28	G3101.28	SHOCK ABSORBER FOOT (B)	46	G3101.46	SUPPORT FRAME
11	G3101.11	NUT M8	29	G3101.29	HANDLE SUPPORT (A)	47	G3101.47	WHEEL AXLE
12	G3101.12	MUFFLER ASS'Y	30	G3101.30	NUT M8	48	G3101.48	WHEEL PIN
13	G3101.13	MOTOR STAND	31	G3101.31	HANDLE SUPPORT (B)	49	G3101.49	WHEEL
14	G3101.14	CARBON BRUSH	32	G3101.32	BOLT M8x28	50	G3101.50	BOLT M6x12
15	G3101.15	MOTOR BRACKET	33	G3101.33	BOLT M8x38	51	G3101.51	MUFFLER SIDE COVER
16	G3101.16	BOLT M8x16	34	G3101.34	HANDLE	52	G3101.52	ENGINE
17	G3101.17	TERMINAL	35	G3101.35	FRAME			
18	G3101.18	MOTOR COVER	36	G3101.36	PANEL, BACK COVER			



Sole UK Distributor,
 Sealey Group, Kempson Way,
 Suffolk Business Park,
 Bury St Edmunds, Suffolk, IP32 7AR

01284 757500
 01284 703534

www.sealey.co.uk
sales@sealey.co.uk

