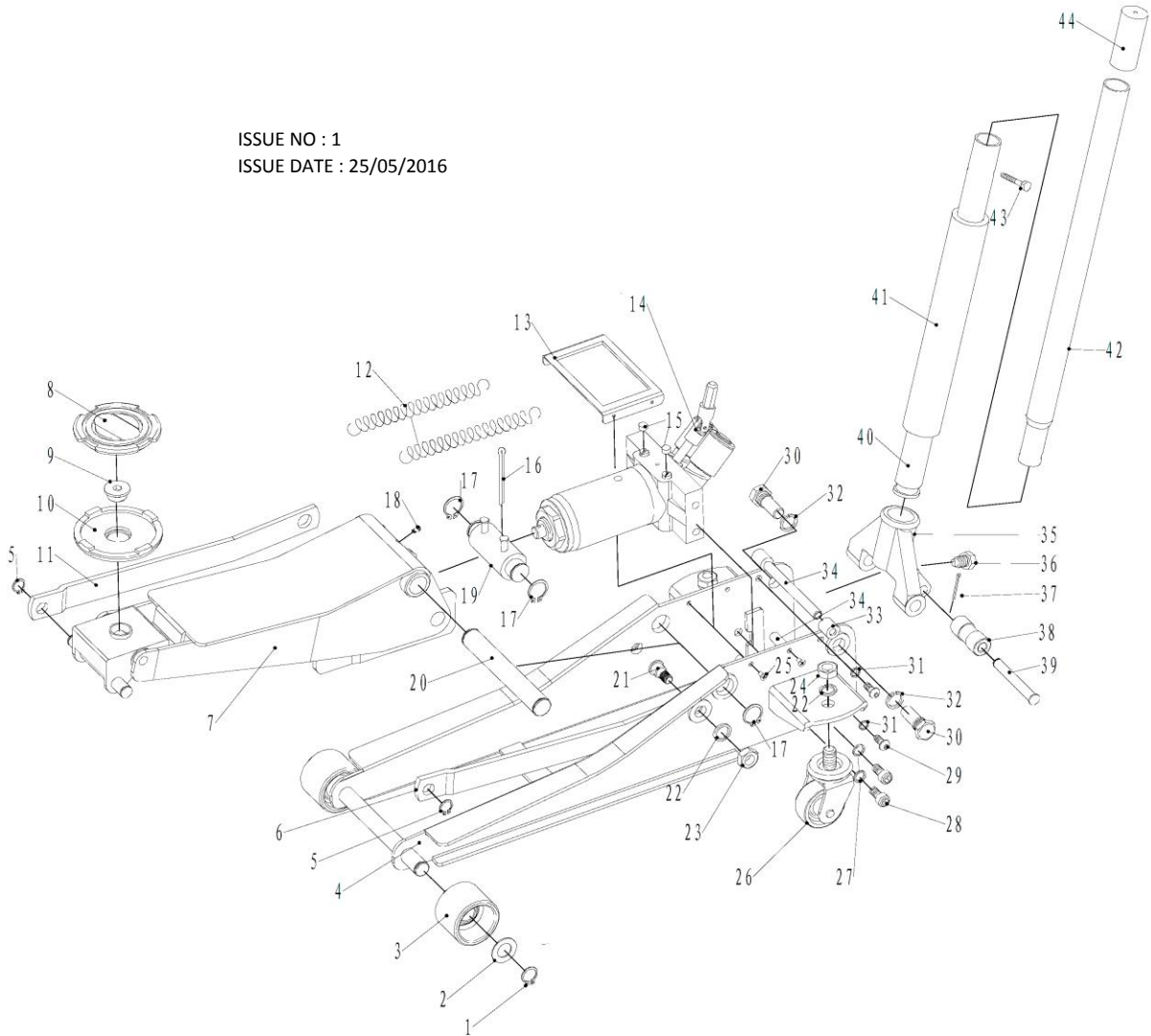




**PARTS FOR :**  
**TROLLEY JACK 2tonne LOW ENTRY ROCKET LIFT - BLUE**  
**MODELS: 2001LEBL**

ISSUE NO : 1  
 ISSUE DATE : 25/05/2016



ITEM	PART NO	DESCRIPTION	ITEM	PART NO	DESCRIPTION	ITEM	PART NO	DESCRIPTION
1	2001LE.01	RETAINING RING 20mm	16	2001LE.16	COTTER PIN (4x45)	31	2001LE.31	SPRING WASHER 8mm
2	2001LE.02	FLAT WASHER 20mm	17	2001LE.17	RETAINING RING (25mm)	32	2001LE.32	SPRING WASHER 18mm
3	2001LE.03	FRONT WHEEL	18	2001LE.18	GREASE NIPPLE (M6)	33	2001LE.33	BUSHING FOR SUPPORT ROD
4	2001LEBL.04	SIDE PLATE (BLUE)	19	2001LE.19	CONNECTING ROD	34	2001LE.34	SUPPORT ROD
5	2001LE.05	RETAINING RING 16mm	20	2001LE.20	LIFTING ARM PIN	35	2001LE.35	HANDLE SOCKET
6	2001LE.06	CONNECTING ROD, LEFT	21	2001LE.21	CONNECTING ROD BOLT	36	2001LE.36	HANDLE SOCKET SCREW M12
7	2001LEBL.07	LIFTING ARM (BLUE)	22	2001LE.22	SPRING WASHER 16mm	37	2001LE.37	COTTER PIN (2.5x16)
8	2001LE.08	RUBBER PAD	23	2001LE.23	NUT M16	38	2001LE.38	HANDLE SOCKET ROLLER
9	2001LE.09	SADDLE PIN	24	2001LE.24	NUT M16	39	2001LE.39	ROLLER PIN SHAFT
10	2001LE.10	SADDLE	25	2001LE.25	PHILLIPS C/S HEAD TAPPING SCREW M5x15	40	2001LE.40	LOWER HANDLE
11	2001LE.11	CONNECTING ROD, RIGHT	26	2001LE.26	REAR CASTOR WHEEL	41	2001LE.41	HANDLE COVER
12	2001LE.12	TENSION SPRING	27	2001LE.27	SPRING WASHER 10mm	42	2001LE.42	UPPER HANDLE
13	2001LE.13	COVER PLATE	28	2001LE.28	SOCKET HEAD BOLT (M10x20)	43	2001LE.43	HANDLE BOLT (M6x35)
14	2001LE.14	PUMP ASS'Y	29	2001LE.29	SOCKET HEAD ROUND HEAD BOLT(M8x15)	44	2001LE.44	HANDLE GRIP
15	2001LE.15	SAFETY COVER	30	2001LE.30	HANDLE SOCKET SUPPORT BOLT			



Sole UK Distributor,  
 Sealey Group, Kempson Way,  
 Suffolk Business Park,  
 Bury St Edmunds, Suffolk, IP32 7AR

01284 757500  
 01284 703534

[www.sealey.co.uk](http://www.sealey.co.uk)  
[sales@sealey.co.uk](mailto:sales@sealey.co.uk)