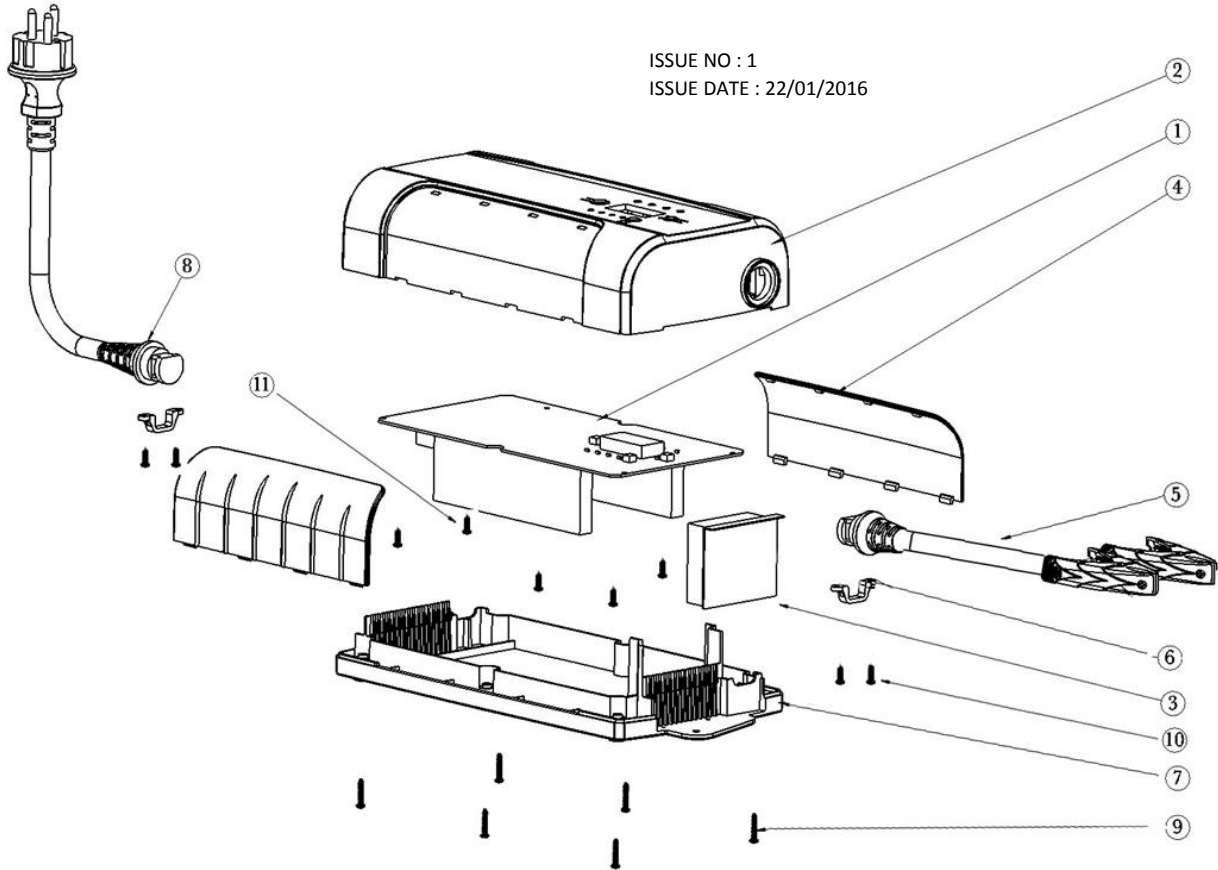




PARTS FOR :
BATTERY SUPPORT UNIT & CHARGER 12V-25A/24V-12.5A
MODELS: BSCU25.V2



ITEM	PART NO	DESCRIPTION
1	BSCU25.V2-01	PCB
2	BSCU25.V2-02	UPPER COVER
3	BSCU25.V2-03	FAN
4	BSCU25.V2-04	SIDE COVER
5	BSCU25.V2-05	CLAMP
6	BSCU25.V2-06	CLAMP CLIP
7	BSCU25.V2-07	BOTTOM COVER
8	BSCU25.V2-08	CABLE (c/w PLUG)
9	BSCU25.V2-09	SCREW (3x16)
10	BSCU25.V2-10	SCREW (3x10)
11	BSCU25.V2-11	SCREW (3x6)



Sole UK Distributor,
Sealey Group, Kempson Way,
Suffolk Business Park,
Bury St Edmunds, Suffolk, IP32 7AR

01284 757500
01284 703534

www.sealey.co.uk
sales@sealey.co.uk