



INSTRUCTIONS FOR

# MODULAR FLOOR CABINET 2 DOOR FULL HEIGHT 915MM

MODEL NO: **APMS56**

Thank you for purchasing a Sealey product. Manufactured to a high standard, this product will, if used according to these instructions, and properly maintained, give you years of trouble free performance.

**IMPORTANT:** PLEASE READ THESE INSTRUCTIONS CAREFULLY. NOTE THE SAFE OPERATIONAL REQUIREMENTS, WARNINGS & CAUTIONS. USE THE PRODUCT CORRECTLY AND WITH CARE FOR THE PURPOSE FOR WHICH IT IS INTENDED. FAILURE TO DO SO MAY CAUSE DAMAGE AND/OR PERSONAL INJURY AND WILL INVALIDATE THE WARRANTY. KEEP THESE INSTRUCTIONS SAFE FOR FUTURE USE.



Refer to  
Instruction  
Manual



Wear  
Protective  
gloves

## 1. SAFETY

- WARNING!** Ensure Health & Safety, local authority, and general workshop practice regulations are adhered to when using this cabinet.
- ✓ Locate cabinet in a suitable work area.
- ✓ Keep the work area clean, uncluttered and ensure there is adequate lighting.
- WARNING!** Use cabinet on level and solid ground, preferably concrete.
- ✓ Keep the cabinet clean and tidy in accordance with good workshop practice.
- ✓ Keep children and unauthorised persons away from the work area.
- x **DO NOT** use the cabinet for any purpose other than that for which it is designed.
- x **DO NOT** use the cabinet outdoors.
- x **DO NOT** place the cabinet in a damp or wet location or an area where there is condensation.
- x **DO NOT** clean the cabinet with any solvents which may damage the surfaces or the protective coating.
- x **DO NOT** move the cabinet when there are items placed inside.
- x **DO NOT** step on the shelves.
- x **DO NOT** overload the cabinet.

## 2. INTRODUCTION

Modular storage system ideal for any garage/workshop. Durable construction that will last for years. Easily adjusts to specific needs. Purchase a simple base cabinet or create a full workshop storage system.

## 3. SPECIFICATION

Model no: ..... APMS56

Size (W x D x H):..... 915 x 458 x 2000mm

## 4. PARTS LIST

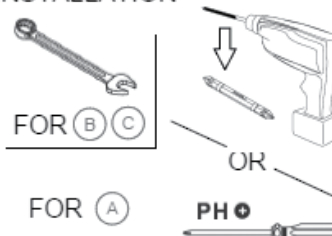
ITEM	DESCRIPTION	QTY.
W1	Bottom Panel	1
W2	Top Panel	1
W3	Left Side Panel	1
W4	Right Side Panel	1
W5	Left Back Panel	1
W6	Right Back Panel	1
W7	Adjustable Shelf	4
W8	Bottom Shelf	1
W9	Base Front Panel	2
W10	Base Side Panel	2
W11	Left Door	1
W12	Right Door	1

## HARDWARE CONTENTS

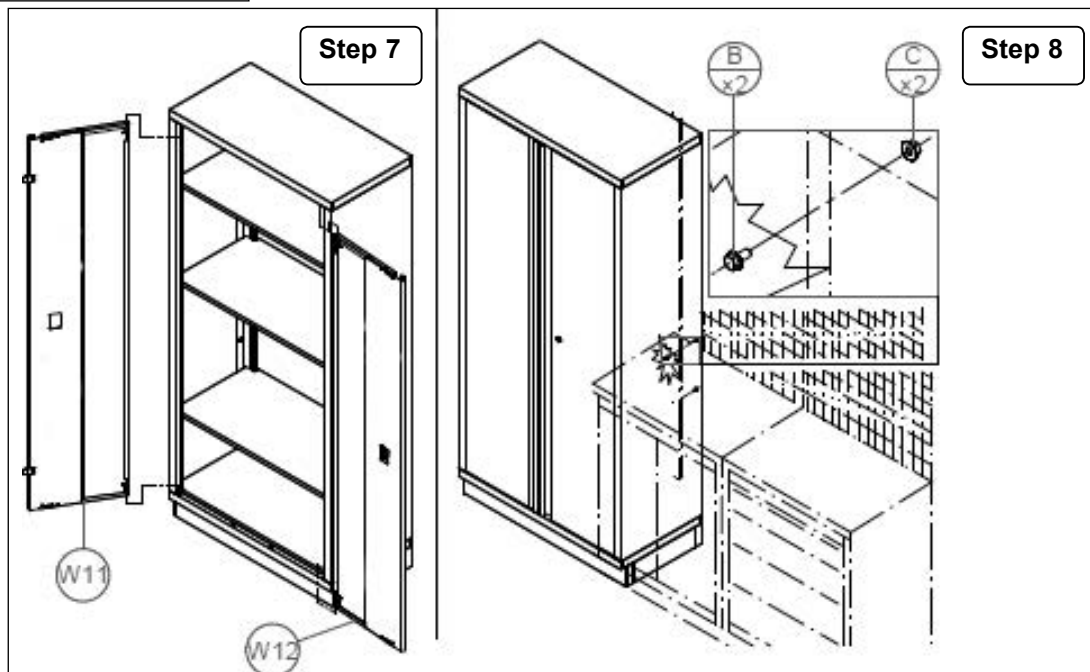
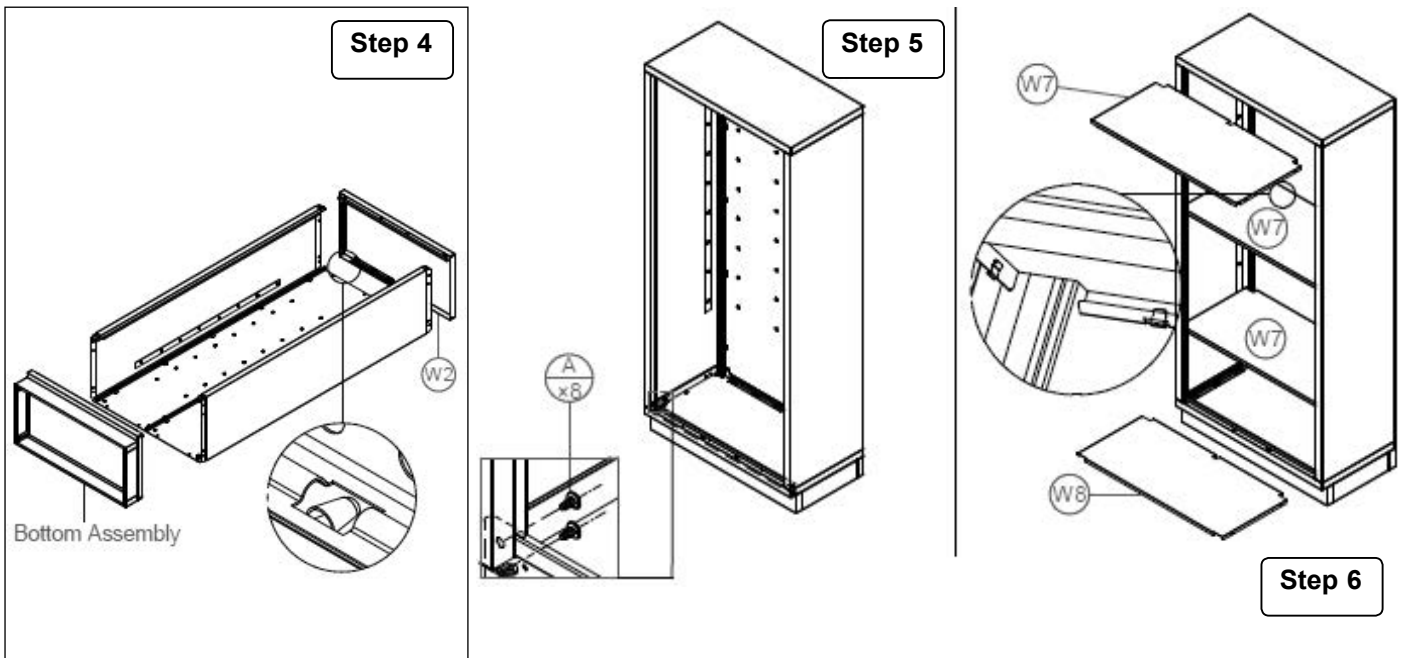
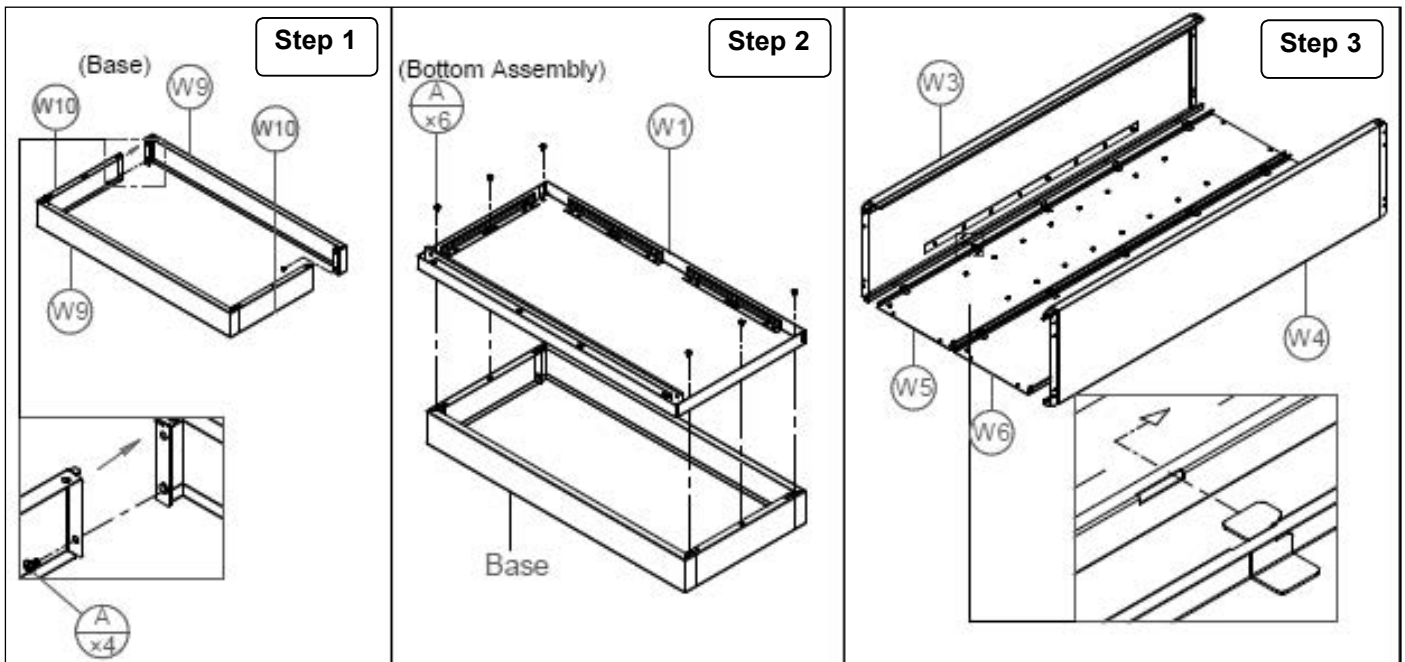
NO.	DESCRIPTION	QTY.
A	Screws ST6×12	18+1
B	Bolts M6×12	2
C	Nuts M6	2



## RECOMMENDED TOOLS FOR INSTALLATION



## 5. ASSEMBLY





#### Environmental Protection

Recycle unwanted materials instead of disposing of them as waste. All tools, accessories and packaging should be sorted, taken to a recycling centre and disposed of in a manner which is compatible with the environment. When the product becomes completely unserviceable and requires disposal, drain off any fluids (if applicable) into approved containers and dispose of the product and the fluids according to local regulations.

**NOTE:** It is our policy to continually improve products and as such we reserve the right to alter data, specifications and component parts without prior notice.

**IMPORTANT:** No liability is accepted for incorrect use of this product.

**WARRANTY:** Guarantee is 12 months from purchase date, proof of which will be required for any claim.



Sole UK Distributor, Sealey Group.  
Kempson Way, Suffolk Business Park,  
Bury St. Edmunds, Suffolk.  
IP32 7AR



01284 757500



01284 703534



[www.sealey.co.uk](http://www.sealey.co.uk)



[sales@sealey.co.uk](mailto:sales@sealey.co.uk)