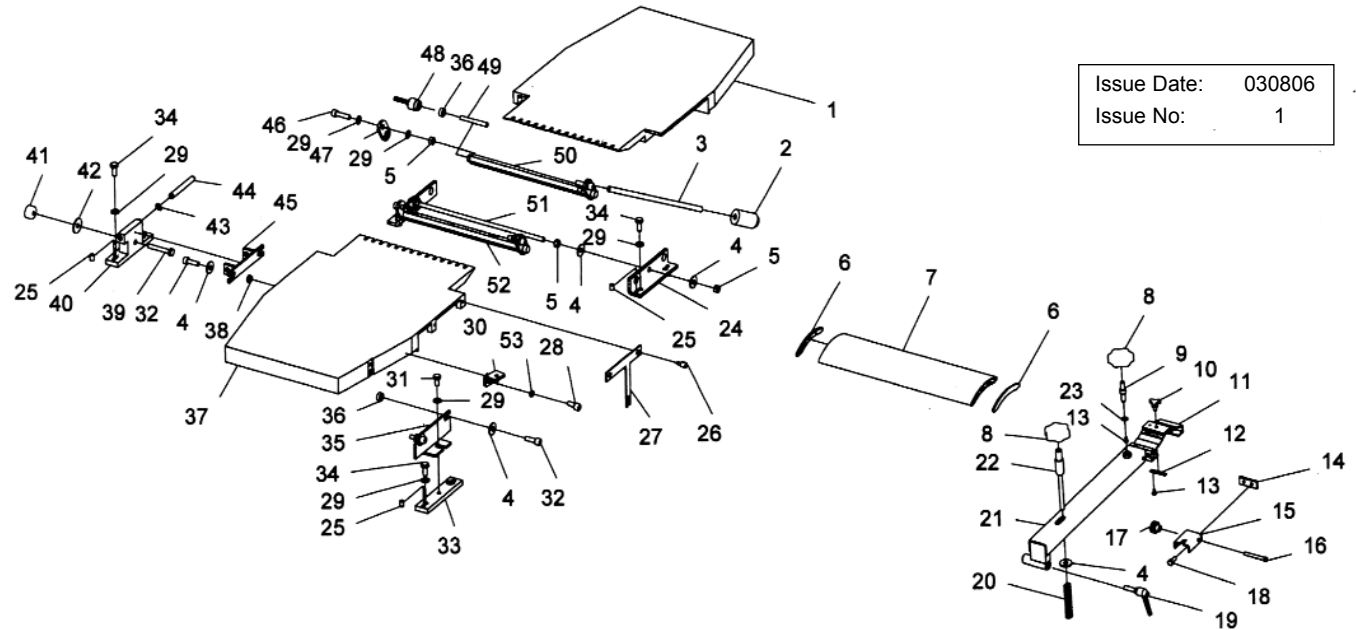


TABLE DIAGRAM AND PARTS LIST



Issue Date: 030806
 Issue No: 1

Item	Part No:	Description
1	SM1314.01	WORKING TABLE EXTENSION (a)
2	SM1314.02	KNOB
3	SM1314.03	HANDLE SHAFT
4	SM1314.04	WASHER
5	SM1314.05	NUT
6	SM1314.06	COVER, BLADE GUARD
7	SM1314.07	BLADE GUARD
8	SM1314.08	KNOB
9	SM1314.09	ADJUSTING SCREW
10	SM1314.10	KNOB
11	SM1314.11	BASE, BLADE GUARD
12	SM1314.12	SCALE-BOARD
13	SM1314.13	SCREW (M4X8)
14	SM1314.14	SKATE
15	SM1314.15	ADJUSTING PLATE
16	SM1314.16	SHAFT
17	SM1314.17	NUT
18	SM1314.18	SCREW (M6X8)
19	SM1314.19	HANDLE, (M10X80X80)
20	SM1314.20	SPRING
21	SM1314.21	SQUARE TUBE
22	SM1314.22	ADJUSTING SHAFT
23	SM1314.23	WASHER
24	SM1314.24	BRACKET (a)
25	SM1314.25	SET SCREW (M8X8)
26	SM1314.26	SCREW
27	SM1314.27	PLATE, SWITCH CONTROL

Item	Part No:	Description
28	SM1314.28	SCREW (M6X20)
29	SM1314.29	FLAT WASHER
30	SM1314.30	HORNWORK
31	SM1314.31	BOLT (M8X12)
32	SM1314.32	BOLT (M8X40)
33	SM1314.33	SHIM
34	SM1314.34	BOLT (M8X25)
35	SM1314.35	SUPPORT PLATE
36	SM1314.36	WASHER
37	SM1314.37	WORKING TABLE EXTENSION (b)
38	SM1314.38	CAP NUT M8
39	SM1314.39	BOLT (M8X55)
40	SM1314.40	BRACKET (b)
41	SM1314.41	NUT
42	SM1314.42	FLAT WASHER
43	SM1314.43	RING
44	SM1314.44	AXLE
45	SM1314.45	PLATE
46	SM1314.46	SCREW (M8X40)
47	SM1314.47	LINK PLATE
48	SM1314.48	ADJUSTING KNOB
49	SM1314.49	SCREW (M8X35)
50	SM1314.50	LIFT POLE (b)
51	SM1314.51	DRAW BAR
52	SM1314.52	LIFT POLE (a)
53	SM1314.53	FLAT WASHER

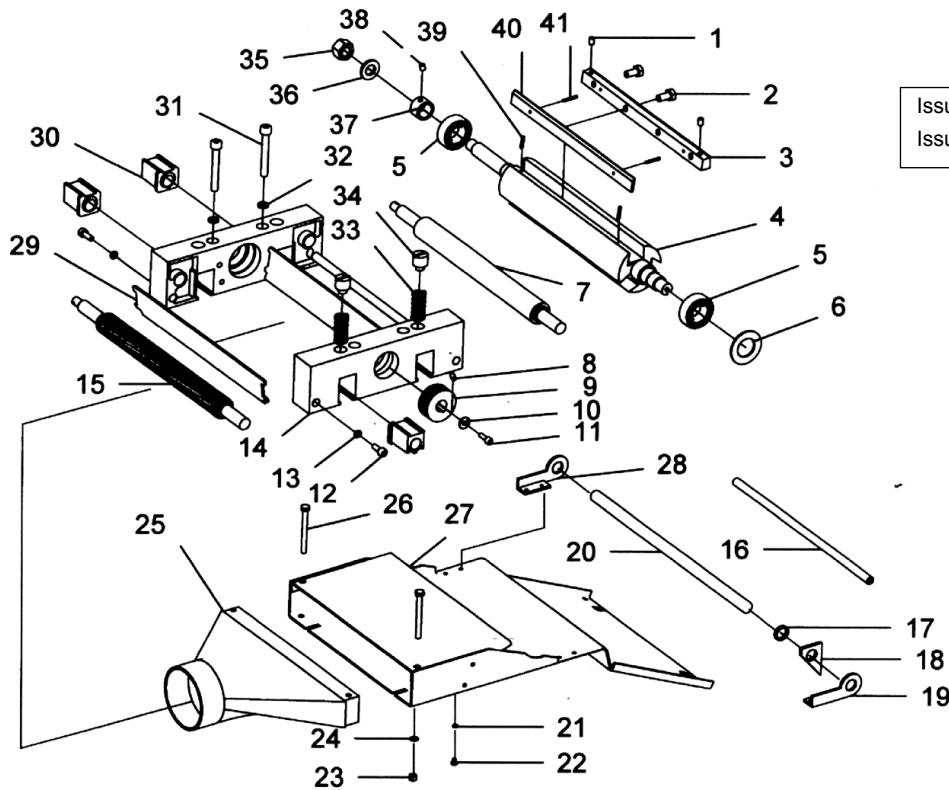
NOTE: It is our policy to continually improve products and as such we reserve the right to alter data, specifications and component parts without prior notice.

IMPORTANT: No liability is accepted for incorrect use of this product.

WARRANTY: Guarantee is 12 months from purchase date, proof of which will be required for any claim.

INFORMATION: For a copy of our catalogue and latest promotions call us on 01284 757525 and leave your full name, address and postcode.

CUTTER DIAGRAM AND PARTS LIST



Issue Date:	030806
Issue No:	1

Item	Part No:	Description	Item	Part No:	Description
1	SM1314.C01	SET SCREW (M6X8)	22	SM1314.C22	CAP SCREW
2	SM1314.C02	BOLT (M6X10)	23	SM1314.C23	NUT M5
3	SM1314.C03	BAR, KNIFE SETTING	24	SM1314.C24	FLAT WASHER
4	SM1314.C04	CUTTER	25	SM1314.C25	DUST COLLECTION CHUTE
5	SM1314.C05	BALL BEARING (6004)	26	SM1314.C26	BOLT (M5X50)
6	SM1314.C06	WASHER	27	SM1314.C27	EXIT PLATE
7	SM1314.C07	ROLLER	28	SM1314.C28	PLATE, RIGHT SIDE
8	SM1314.C08	KEY (5X12)	29	SM1314.C29	SHIELD
9	SM1314.C09	PULLEY	30	SM1314.C30	SUPPORT BLOCK
10	SM1314.C10	FLAT WASHER	31	SM1314.C31	SCREW (M8X60)
11	SM1314.C11	SCREW (M6X20)	32	SM1314.C32	LOCK WASHER
12	SM1314.C12	SCREW (M6X25)	33	SM1314.C33	SPRING
13	SM1314.C13	LOCK WASHER	34	SM1314.C34	THREAD BLOCK
14	SM1314.C14	FRAME	35	SM1314.C35	NUT M14
15	SM1314.C15	ROLLER, INWARDS	36	SM1314.C36	WASHER, LARGE
16	SM1314.C16	FIXED POLE	37	SM1314.C37	WASHER
17	SM1314.C17	WASHER	38	SM1314.C38	SET SCREW (M6X8)
18	SM1314.C18	BLOCK	39	SM1314.C39	SPRING
19	SM1314.C19	PLATE, LEFT SIDE	40	SM1314.C40	BLADE
20	SM1314.C20	LINK	41	SM1314.C41	PIN (3X16)
21	SM1314.C21	LOCK WASHER			

NOTE: It is our policy to continually improve products and as such we reserve the right to alter data, specifications and component parts without prior notice.

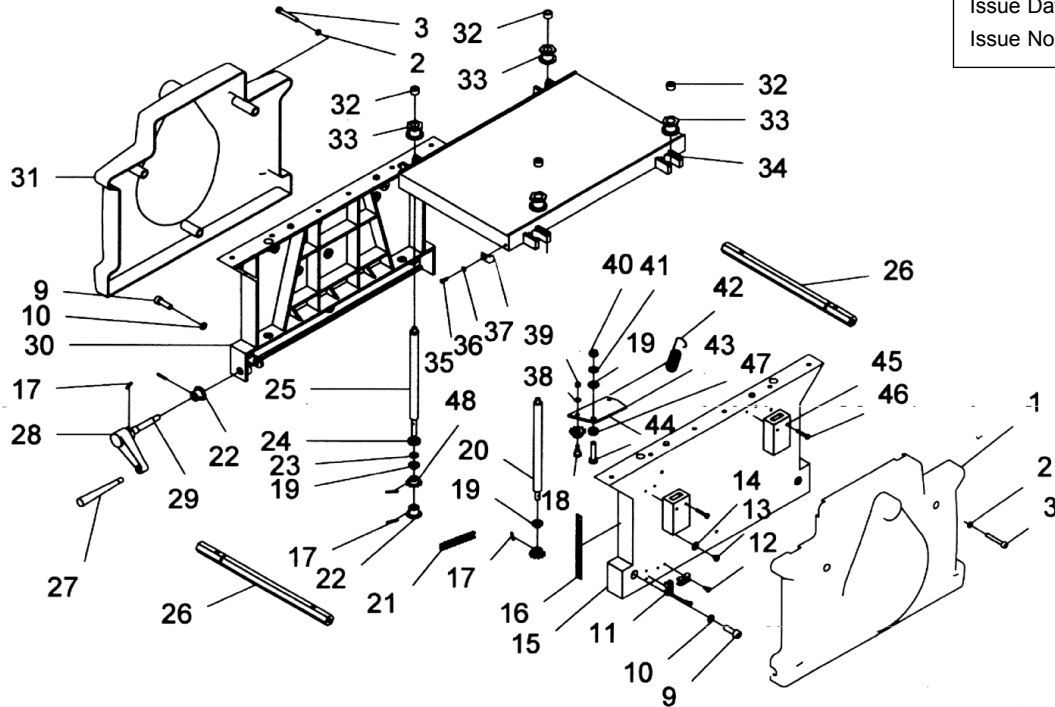
IMPORTANT: No liability is accepted for incorrect use of this product.

WARRANTY: Guarantee is 12 months from purchase date, proof of which will be required for any claim.

INFORMATION: For a copy of our catalogue and latest promotions call us on 01284 757525 and leave your full name, address and postcode.

WORKING TABLE DIAGRAM AND PARTS LIST

Issue Date:	030806
Issue No:	1



Item	Part No:	Description	Item	Part No:	Description
1	SM1314.W01	SIDE COVER (a)	28	SM1314.W28	HANDLE BODY
2	SM1314.W02	LOCK WASHER	29	SM1314.W29	HANDLE SHAFT
3	SM1314.W03	SCREW (M6X40)	30	SM1314.W30	SIDE PLATE (a)
9	SM1314.W09	SCREW (M8X25)	31	SM1314.W31	SIDE COVER (b)
10	SM1314.W10	LOCK WASHER	32	SM1314.W32	CASE
11	SM1314.W11	GRIP	33	SM1314.W33	LIFT NUT
12	SM1314.W12	SCREW (M4X12)	34	SM1314.W34	WORKING TABLE
13	SM1314.W13	SCREW (M4X15)	35	SM1314.W35	SCREW (M4X8)
14	SM1314.W14	GEAR WASHER	36	SM1314.W36	FLAT WASHER
15	SM1314.W15	SIDE PLATE (b)	37	SM1314.W37	POINTER
16	SM1314.W16	SCALE	38	SM1314.W38	FLAT WASHER
17	SM1314.W17	PIN (3X16)	39	SM1314.W39	NUT
18	SM1314.W18	BOLT	40	SM1314.W40	NUT M8
19	SM1314.W19	WASHER	41	SM1314.W41	FLAT WASHER
20	SM1314.W20	SHORT SCREW	42	SM1314.W42	SPRING
21	SM1314.W21	CHAIN	43	SM1314.W43	PLATE
22	SM1314.W22	BEVEL GEAR	44	SM1314.W44	BOLT (M8X25)
23	SM1314.W23	WASHER	45	SM1314.W45	CONTROL SWITCH
24	SM1314.W24	WASHER	46	SM1314.W46	SCREW (M4X30)
25	SM1314.W25	LONG SCREW	47	SM1314.W47	CASE
26	SM1314.W26	BASE POLE	48	SM1314.W48	GEAR
27	SM1314.W27	HANDLE			

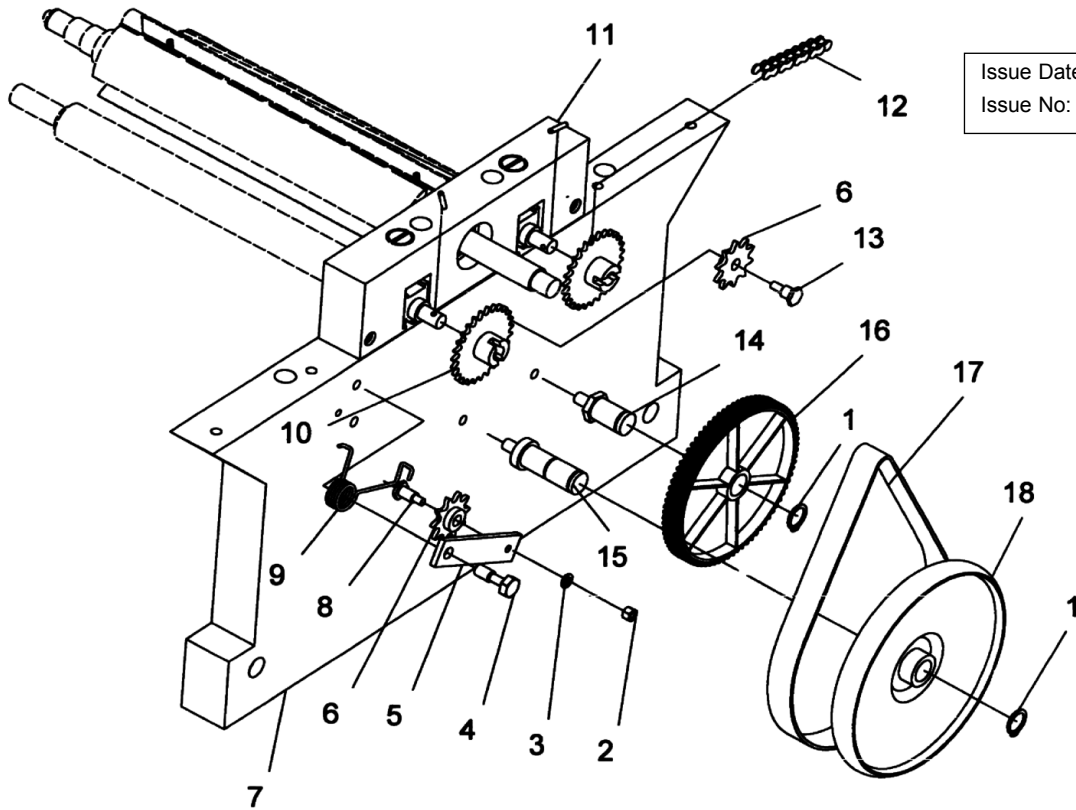
NOTE: It is our policy to continually improve products and as such we reserve the right to alter data, specifications and component parts without prior notice.

IMPORTANT: No liability is accepted for incorrect use of this product.

WARRANTY: Guarantee is 12 months from purchase date, proof of which will be required for any claim.

INFORMATION: For a copy of our catalogue and latest promotions call us on 01284 757525 and leave your full name, address and postcode.

CHAIN SYSTEM DIAGRAM AND PARTS LIST



Issue Date:	030806
Issue No:	1

Item	Part No:	Description
1	SM1314.CH01	SNAP RING
2	SM1314.CH02	NUT
3	SM1314.CH03	FLAT WASHER
4	SM1314.CH04	BOLT (M8X35)
5	SM1314.CH05	PLATE
6	SM1314.CH06	WHEEL
7	SM1314.CH07	PLATE, LEFT SIDE
8	SM1314.CH08	BOLT
9	SM1314.CH09	SPRING
10	SM1314.CH10	SPROCKET
11	SM1314.CH11	PIN (4X20)
12	SM1314.CH12	CHAIN
13	SM1314.CH13	BOLT
14	SM1314.CH14	GEAR SHAFT (a)
15	SM1314.CH15	GEAR SHAFT (b)
16	SM1314.CH16	SPROCKET
17	SM1314.CH17	DRIVE BELT
18	SM1314.CH18	PULLEY

NOTE: It is our policy to continually improve products and as such we reserve the right to alter data, specifications and component parts without prior notice.

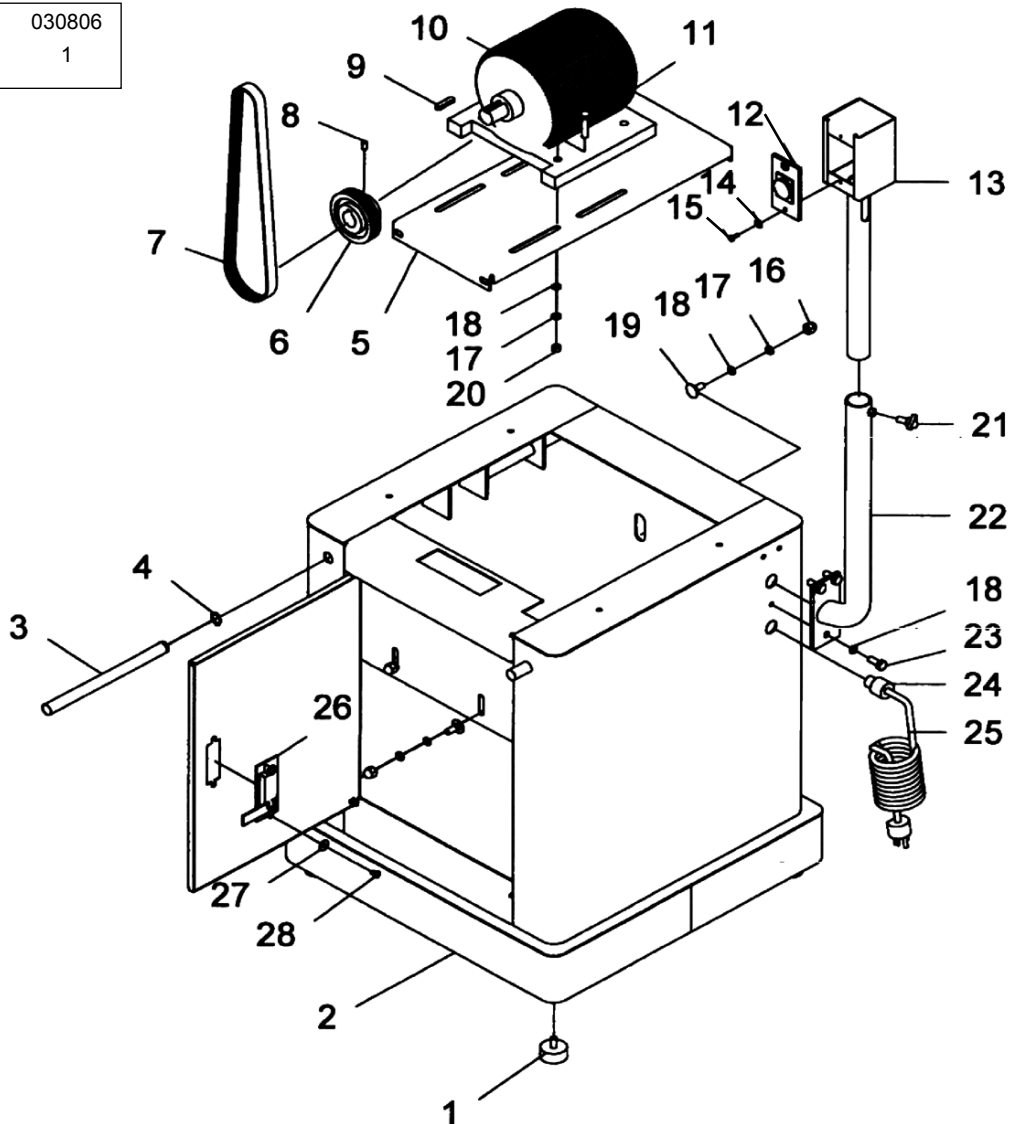
IMPORTANT: No liability is accepted for incorrect use of this product.

WARRANTY: Guarantee is 12 months from purchase date, proof of which will be required for any claim.

INFORMATION: For a copy of our catalogue and latest promotions call us on 01284 757525 and leave your full name, address and postcode.

STAND SYSTEM DIAGRAM AND PARTS LIST

Issue Date: 030806
Issue No: 1



Item	Part No:	Description	Item	Part No:	Description
1	SM1314.ST01	RUBBER FOOT	15	SM1314.ST15	SCREW (M4X12)
2	SM1314.ST02	STAND	16	SM1314.ST16	CAP NUT
3	SM1314.ST03	POLE	17	SM1314.ST17	LOCK WASHER
4	SM1314.ST04	RING	18	SM1314.ST18	FLAT WASHER
5	SM1314.ST05	MOTOR PLATE	19	SM1314.ST19	CARRIAGE BOLT (M8X16)
6	SM1314.ST06	MOTOR PULLEY	20	SM1314.ST20	NUT
7	SM1314.ST07	DRIVE BELT	21	SM1314.ST21	HANDLE (M8X12)
8	SM1314.ST08	SCREW (M6X8)	22	SM1314.ST22	PIPE
9	SM1314.ST09	KEY (8X7X35)	23	SM1314.ST23	BOLT (M8X20)
10	SM1314.ST10	MOTOR	24	SM1314.ST24	PLASTIC NUT
11	SM1314.ST11	BOLT (M8X25)	25	SM1314.ST25	POWER CORD
12	SM1314.ST12	SWITCH	26	SM1314.ST26	LOCK
13	SM1314.ST13	SWITCH BOX	27	SM1314.ST27	FLAT WASHER
14	SM1314.ST14	FLAT WASHER	28	SM1314.ST28	SCREW (M5X12)

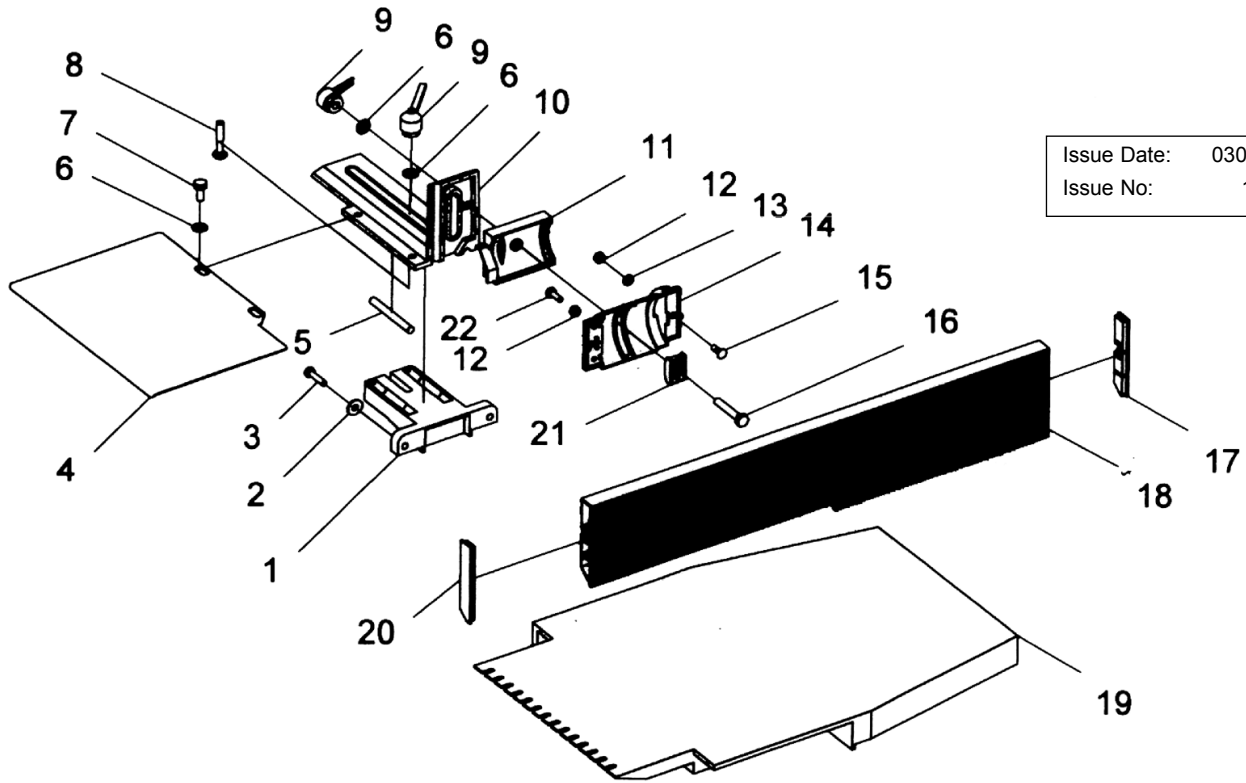
NOTE: It is our policy to continually improve products and as such we reserve the right to alter data, specifications and component parts without prior notice.

IMPORTANT: No liability is accepted for incorrect use of this product.

WARRANTY: Guarantee is 12 months from purchase date, proof of which will be required for any claim.

INFORMATION: For a copy of our catalogue and latest promotions call us on 01284 757525 and leave your full name, address and postcode.

FENCE DIAGRAM AND PARTS LIST



Issue Date:	030806
Issue No:	1

Item	Part No:	Description
1	SM1314.F01	FIXED BASE
2	SM1314.F02	FLAT WASHER
3	SM1314.F03	BOLT (M6X25)
4	SM1314.F04	REAR BLADE GUARD
5	SM1314.F05	PIN
6	SM1314.F06	FLAT WASHER
7	SM1314.F07	BOLT (M8X8)
8	SM1314.F08	CARRIAGE BOLT (M8X40)
9	SM1314.F09	ADJUSTING KNOB
10	SM1314.F10	SLIDE
11	SM1314.F11	FIXED FRAME
12	SM1314.F12	NUT M6
13	SM1314.F13	FLAT WASHER
14	SM1314.F14	ANGLE BRACKET
15	SM1314.F15	CARRIAGE BOLT (M6X20)
16	SM1314.F16	BOLT (M8X45)
17	SM1314.F17	FENCE LID, RIGHT SIDE
18	SM1314.F18	FENCE
19	SM1314.F19	WORKING TABLE
20	SM1314.F20	FENCE LID, LEFT SIDE
21	SM1314.F21	BLOCK, FIXED ANGLE
22	SM1314.F22	BOLT (M6X15)

NOTE: It is our policy to continually improve products and as such we reserve the right to alter data, specifications and component parts without prior notice.

IMPORTANT: No liability is accepted for incorrect use of this product.

WARRANTY: Guarantee is 12 months from purchase date, proof of which will be required for any claim.

INFORMATION: For a copy of our catalogue and latest promotions call us on 01284 757525 and leave your full name, address and postcode.