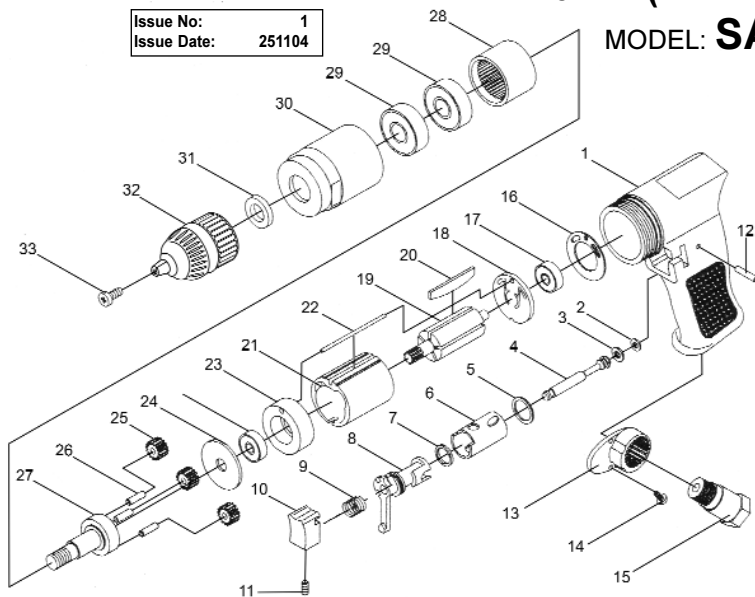


Issue No: 1
Issue Date: 251104



ITEM	PART NO.	DESCRIPTION	ITEM	PART NO.	DESCRIPTION	ITEM	PART NO.	DESCRIPTION
1.	SA241.01	HOUSING	12.	SA241.12	PIN	23.	SA241.23	FRONT END PLATE
2.	SA241.02	O-RING	13.	SA241.13	MUFFLE COVER	24.	SA241.24	WASHER
3.	SA241.03	O-RING	14.	SA241.14	SCREW	25.	SA241.25	GEAR
4.	SA241.04	VALVE STEM	15.	SA241.15	AIR INLET	26.	SA241.26	PIN
5.	SA241.05	O-RING	16.	SA241.16	REAR GASKET	27.	SA241.27	WORK SPINDLE
6.	SA241.06	BUSHING	17.	SA241.17	BEARING	28.	SA241.28	THREAD RING GEAR
7.	SA241.07	O-RING	18.	SA241.18	END PLATE	29.	SA241.29	BEARING
8.	SA241.08	REVERSE LEVER	19.	SA241.19	ROTOR	30.	SA241.30	CLAMP NUT
9.	SA241.09	TRIGGER SPRING	20.	SA241.20	ROTOR BLADE	31.	SA241.31	WASHER
10.	SA241.10	TRIGGER	21.	SA241.21	CYLINDER	32.	SA241.32	KEYLESS CHUCK
11.	SA241.11	SCREW	22.	SA241.22	PIN	33.	SA241.33	CHUCK SCREW

Declaration of Conformity



We, the sole importer into the UK, declare that the product listed here is in conformity with the following standards and directives. The construction file for this product is held by the Manufacturer and may be inspected, by a national authority, upon request to Jack Sealey Ltd.

REVERSIBLE AIR DRILL 10MM (KEYLESS) Model: SA241

98/37/EC Machinery Directive
93/68/EEC Marking Directive

Signed by Mark Sweetman

29th November 2004

For Jack Sealey Ltd. Sole
importer into the UK of
Sealey Power Tools.

NOTE: It is our policy to continually improve products and as such we reserve the right to alter data, specifications and component parts without prior notice. **IMPORTANT:** No liability is accepted for incorrect use of this equipment. **WARRANTY:** Guarantee is 12 months from purchase date, proof of which will be required for any claim. **INFORMATION:** For a copy of our latest catalogue and promotions call us on 01284 757525 and leave your full name and address, including postcode.

