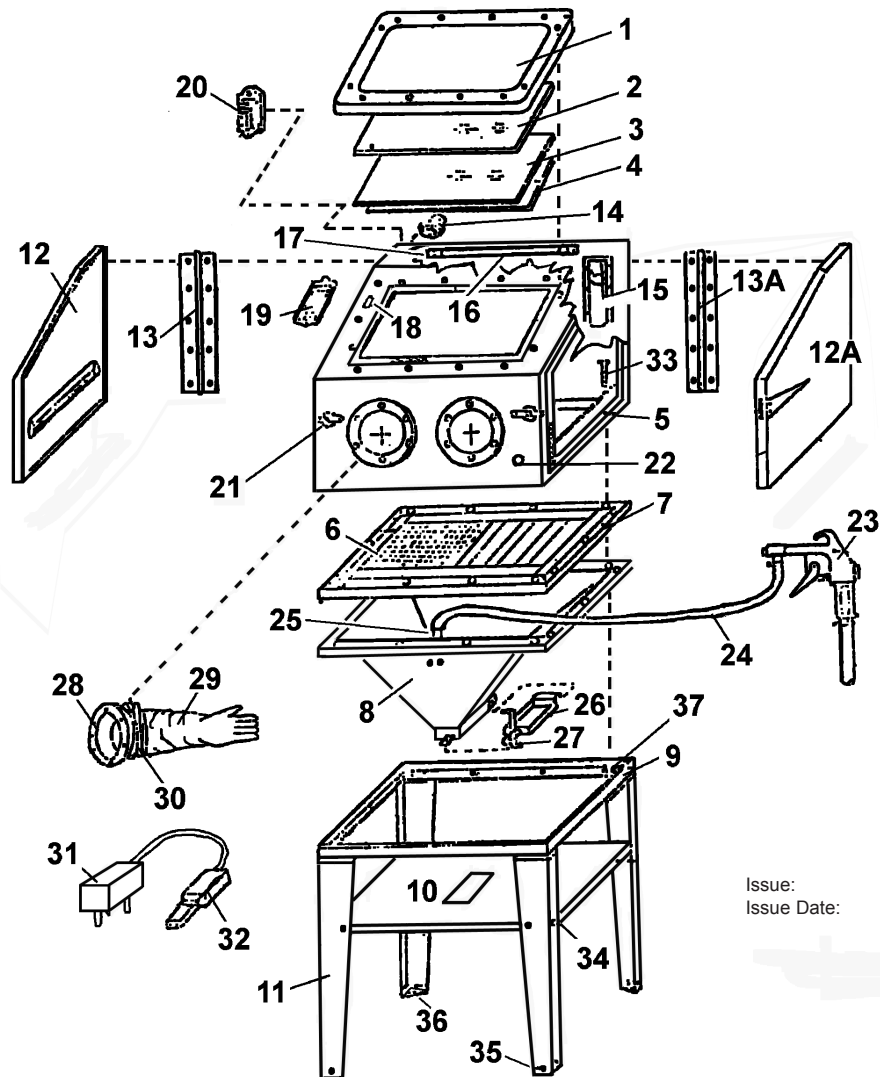


PARTS FOR:
SHOT BLASTING CABINET DOUBLE ACCESS
960x720x1500mm
MODEL: SB974.V2



Issue: 1
 Issue Date: 250809

ITEM	PART NO	DESCRIPTION	ITEM	PART NO	DESCRIPTION
1	SB974/01	PLASTIC FRAME	20	SB974/20	SOCKET
2	SB974/02	ORGANIC GLASS	21	SB974/21	LOCK
3	SB974/03	GLASS	22	SB974/22	AIR INPUT PROTECTING RING
4	SB974/04	PVC	23	SB974/23	SANDING GUN
5	SB974/05	CABINET		SB974/23-1	SANDING GUN NOZZLE (not shown)
6	SB974/06	NET		SB974/23-2	AIR INLET NOZZLE (not shown)
7	SB974/07	NET SHELF	24	SB974/24	SANDING INPUT HOSE
8	SB974/08	FUNNEL	25	SB974/25	SAND INPUT PIPE
9	SB974/09	FRAME	26	SB974/26	FUNNEL COVER
10	SB974/10	SHELF	27	SB974/27	HOOK
11	SB974/11	LEG	28	SB974/28	GLOVE MOUNTING FLANGE
12	SB974.V2-12	DOOR (LEFT)	29	SB974/29	GLOVE (PAIR)
12A	SB974.V2-12A	DOOR (RIGHT)	30	SB974/30	CLAMP
13	SB974/13	HINGE	31	SB974/31	TRANSFORMER
13A	SB974/13A	HINGE	32	SB974/32	PLUG
14	SB974/14	FLANGE	33	SB974/33	SCREW
15	SB974/15	AIR INPUT COVER	34	SB974/34	SCREW
16	SB974/16	LAMP	35	SB974/35	SCREW
17	SB974/17	CLAMP	36	SB974/36	MOULDING
18	SB974/18	SWITCH	37	SB974/37	SCREW
19	SB974/19	SWITCH BOX			

NOTE: It is our policy to continually improve products and as such we reserve the right to alter data, specifications and component parts without prior notice.

IMPORTANT: No liability is accepted for incorrect use of product.

WARRANTY: Guarantee is 12 months from purchase date, proof of which will be required for any claim.

INFORMATION: For a copy of our latest catalogue and promotions call us on 01284 757525 and leave your full name and address, including postcode.