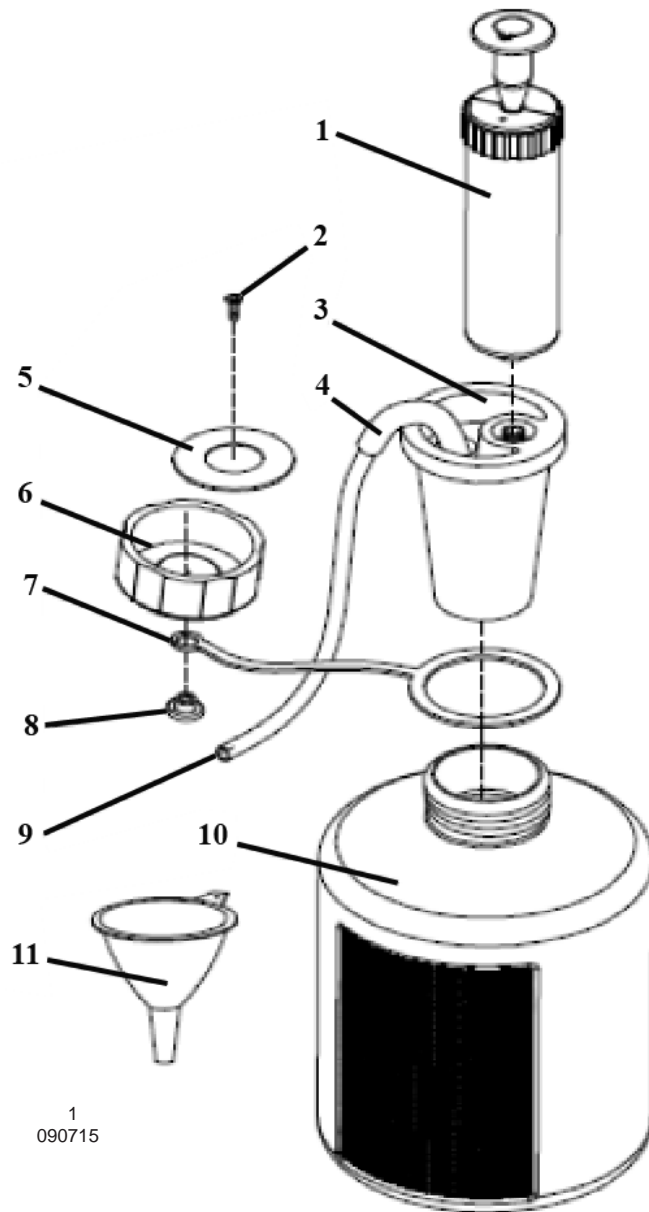




PARTS FOR:  
VACUUM OIL & FLUID EXTRACTOR MANUAL 1.6ltr  
MODEL: **MS155**



Issue: 1  
Issue Date: 090715

ITEM	PART NO	DESCRIPTION	ITEM	PART NO	DESCRIPTION
1	MS155.01	PUMP CYLINDER	7	MS155.07	CONNECTING BELT
2	MS155.02	SCREW (ST2.9*6)	8	MS155.08	CAP KNOB
3	MS155.03	UNIVERSAL LOCK STOPPER	9	MS155.09	SUCTION HOSE
4	MS155.04	CONNECTING HOSE	10	MS155.10	TANK 1.6ltr
5	MS155.05	CAP SEAL	11	MS155.11	FUNNEL
6	MS155.06	CAP			



Sole UK Distributor,  
Sealey Group, Kempson Way,  
Suffolk Business Park,  
Bury St Edmunds, Suffolk, IP32 7AR



01284 757500



01284 703534



[www.sealey.co.uk](http://www.sealey.co.uk)



[sales@sealey.co.uk](mailto:sales@sealey.co.uk)