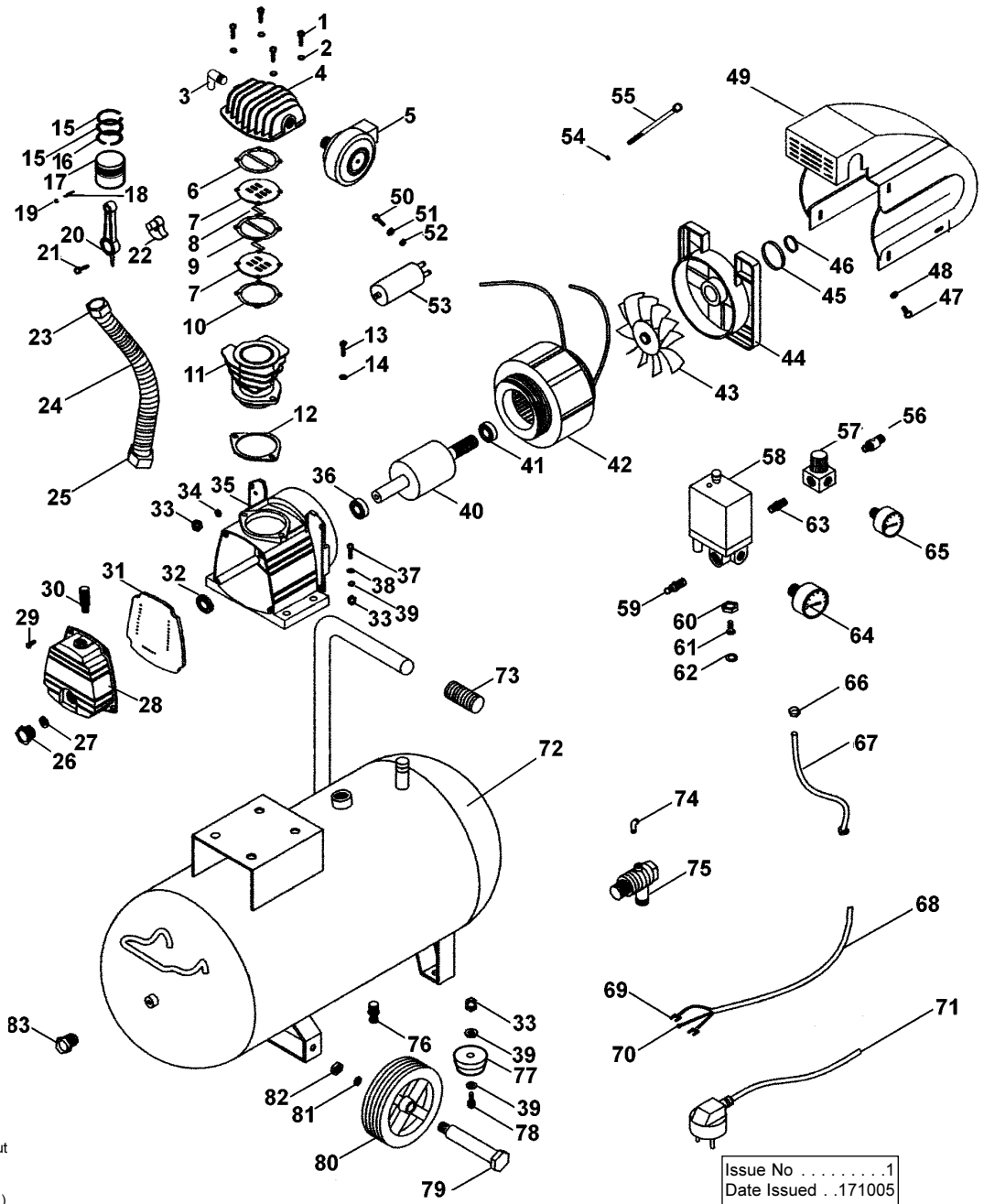


| ITEM | PART NO. | DESCRIPTION |
|------|--------------|----------------------|
| 01. | SA2225-V3.01 | Bolt |
| 02. | SA2225-V3.02 | Spring washer |
| 03. | SA2225-V3.03 | Exhaust elbow |
| 04. | SA2225-V3.04 | Cylinder head |
| 05. | SA2225-V3.05 | Air filter |
| 06. | SA2225-V3.06 | Gasket |
| 07. | SA2225-V3.07 | Valve assembly |
| 08. | SA2225-V3.08 | Valve |
| 09. | SA2225-V3.09 | Gasket |
| 10. | SA2225-V3.10 | Cylinder gasket |
| 11. | SA2225-V3.11 | Cylinder |
| 12. | SA2225-V3.12 | Cylinder gasket |
| 13. | SA2225-V3.13 | Bolt |
| 14. | SA2225-V3.14 | Spring washer |
| 15. | SA2225-V3.15 | Gas ring |
| 16. | SA2225-V3.16 | Oil ring |
| 17. | SA2225-V3.17 | Piston |
| 18. | SA2225-V3.18 | Wrist pin |
| 19. | SA2225-V3.19 | Elastic collar |
| 20. | SA2225-V3.20 | Connecting rod |
| 21. | SA2225-V3.21 | Bolt |
| 22. | SA2225-V3.22 | Crank shaft |
| 23. | SA2225-V3.23 | Nut |
| 24. | SA2225-V3.24 | Exhaust pipe |
| 25. | SA2225-V3.25 | Cooling fan |
| 26. | SA2225-V3.26 | Oil sight glass |
| 27. | SA2225-V3.27 | Oil sight glass ring |
| 28. | SA2225-V3.28 | Front cap |
| 29. | SA2225-V3.29 | Bbolt |
| 30. | SA2225-V3.30 | Breather |
| 31. | SA2225-V3.31 | Gasket |
| 32. | SA2225-V3.32 | Shaft seal |
| 33. | SA2225-V3.33 | Nut |
| 34. | SA2225-V3.34 | Washer |
| 35. | SA2225-V3.35 | Crankcase |
| 36. | B/6204-2RS | Bearing |
| 37. | SA2225-V3.37 | Bolt |
| 38. | SA2225-V3.38 | Spring washer |
| 39. | SA2225-V3.39 | Washer |
| 40. | SA2225-V3.40 | Rotator |
| 41. | B/6202-2RS | Bearing |
| 42. | SA2225-V3.42 | Stator |
| 43. | SA2225-V3.43 | Fan |
| 44. | SA2225-V3.44 | rear cap |
| 45. | SA2225-V3.45 | Washer |
| 46. | SA2225-V3.46 | Washer |
| 47. | SA2225-V3.47 | Bolt |
| 48. | SA2225-V3.48 | Washer |
| 49. | SA2225-V3.49 | pump housing |
| 50. | SA2225-V3.50 | Bolt |
| 51. | SA2225-V3.51 | Spring washer |
| 52. | SA2225-V3.52 | Washer |
| 53. | SA2225-V3.53 | Capacitor |
| 54. | SA2225-V3.54 | Spring washer |
| 55. | SA2225-V3.55 | Bolt |
| 56. | SA2225-V3.56 | Air cock |
| 57. | SA2225-V3.57 | Regulator |
| 58. | SA2225-V3.58 | Pressure switch |
| 59. | SA2225-V3.59 | Ssafety valve |
| 60. | SA2225-V3.60 | Nut |
| 61. | SA2225-V3.61 | Connector |
| 62. | SA2225-V3.62 | Gasket |
| 63. | SA2225-V3.63 | Connector |
| 64. | SA2225-V3.64 | Pressure gauge |
| 65. | SA2225-V3.65 | Pressure gauge |
| 66. | SA2225-V3.66 | Unloading screw nut |
| 67. | SA2225-V3.67 | Unloading pipe |
| 68. | SA2225-V3.68 | Electric cable |
| 69. | SA2225-V3.69 | Cable connector (U) |
| 70. | SA2225-V3.70 | Cable connector (O) |
| 71. | SA2225-V3.71 | Ppower lead |
| 72. | SA2225-V3.72 | Tank |
| 73. | SA2225-V3.73 | Handle |
| 74. | SA2225-V3.74 | Small elbow |
| 75. | SA2225-V3.75 | Check valve |
| 76. | SA2225-V3.76 | Drain valve |
| 77. | SA2225-V3.77 | Rubber foot |
| 78. | SA2225-V3.78 | Bolt |
| 79. | SA2225-V3.79 | Roller shaft bolt |
| 80. | SA2225-V3.80 | Vvwheel |
| 81. | SA2225-V3.81 | Spring washer |



| ITEM | PART NO. | DESCRIPTION |
|------|--------------|-------------------|
| 78. | SA2225-V3.78 | Bolt |
| 79. | SA2225-V3.79 | Roller shaft bolt |
| 80. | SA2225-V3.80 | Vvwheel |
| 81. | SA2225-V3.81 | Spring washer |

| ITEM | PART NO. | DESCRIPTION |
|------|--------------|------------------------------|
| 82. | SA2225-V3.82 | Nut |
| 83. | SA2225-V3.83 | Casing cap |
| 84. | SA2225.HEAD | Pump assembly for SA2225/1.5 |

NOTE: It is our policy to continually improve products and as such we reserve the right to alter data, specifications and component parts without prior notice. **IMPORTANT:** No liability is accepted for incorrect use of this equipment. **WARRANTY:** Guarantee is 12 months from purchase date, proof of which will be required for any claim. **INFORMATION:** For a copy of our latest catalogue and promotions call us on 01284 757525 and leave your full name and address, including postcode.