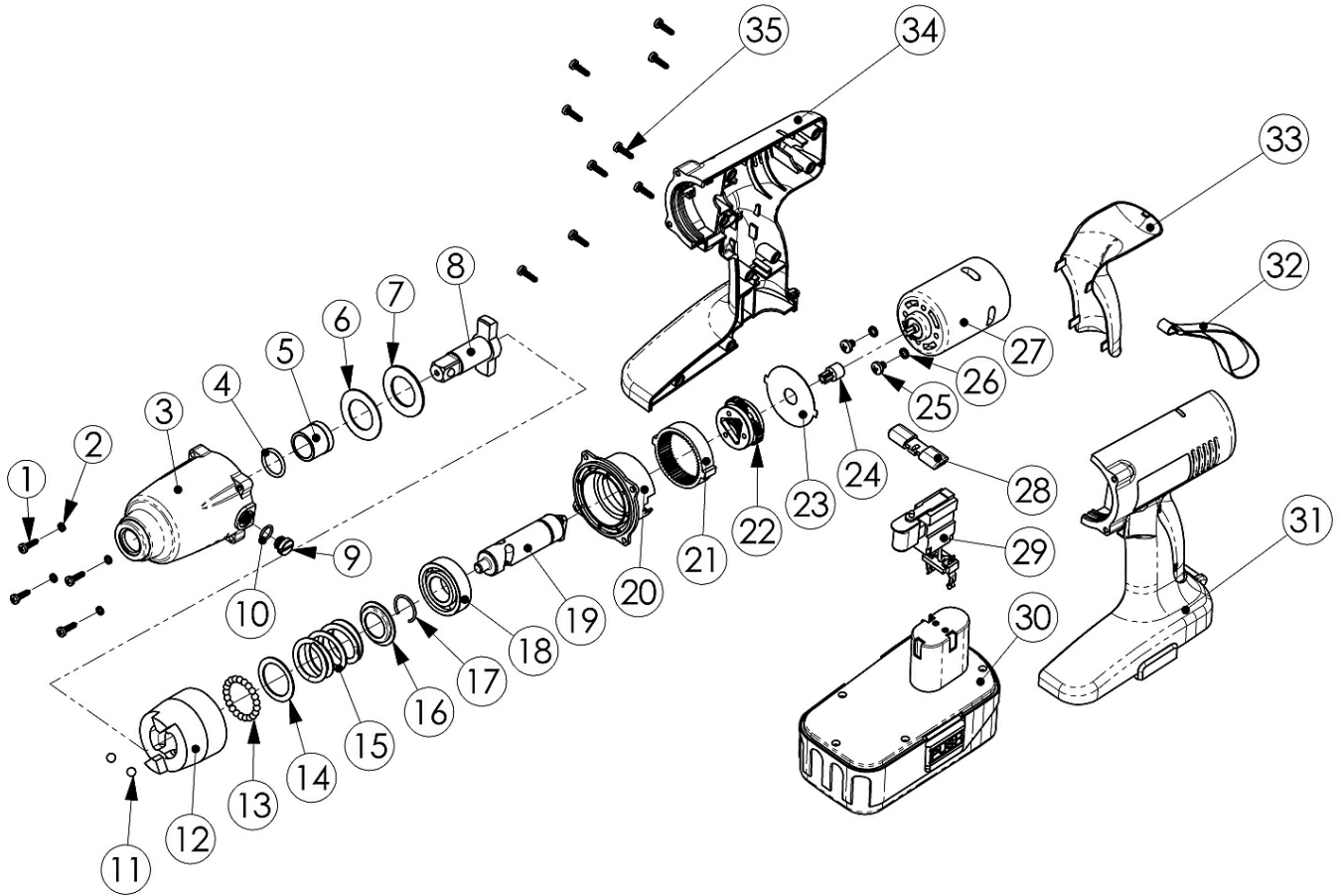


Issue:.....01
 Date Issued:.....020107



ITEM	PART NO.	DESCRIPTION
1	CP1920.01	SCREW
2	CP1920.02	SPRING WASHER
3	CP1920.03	FRONT CASING
4	CP1920.04	GASKET
5	CP1920.05	FRONT BEARING
6	CP1920.06	RUBBER WASHER
7	CP1920.07	SHIM
8	CP1920.08	FRONT IMPACT ASSY
9	CP1920.09	SCREW
10	CP1920.10	O-RING
11	CP1920.11	STEEL BALL
12	CP1920.12	REAR IMPACT BLOCK
13	CP1920.13	STEEL BALL
14	CP1920.14	GASKET
15	CP1920.15	SPRING
16	CP1920.16	GASKET
17	CP1920.17	BAFFLE CLIP
18	CP1920.18	BEARING

ITEM	PART NO.	DESCRIPTION
19	CP1920.19	SHAFT
20	CP1920.20	GEARBOX
21	CP1920.21	GEAR RING
22	CP1920.22	PLANETARY GEARS
23	CP1920.23	WASHER
24	CP1920.24	MOTOR PINION GEAR
25	CP1920.25	SCREW
26	CP1920.26	WASHER
27	CP1920.27	MOTOR ASSEMBLY
28	CP1920.28	FORWARD/REVERSE ROD
29	CP1920.29	SWITCH
30	CP1920.30	USE CP1920BP (BATTERY PACK)
31	CP1920.31	MAIN CASING (LEFT HAND SIDE)
32	CP1920.32	BELT
33	CP1920.33	SOFT GRIP
34	CP1920.34	MAIN CASING (RIGHT HAND SIDE)
35	CP1920.35	SCREW
---	CP1920.36	BATTERY CHARGER (NOT SHOWN)

NOTE: It is our policy to continually improve products and as such we reserve the right to alter data, specifications and component parts without prior notice. **IMPORTANT:** No liability is accepted for incorrect use of this equipment. **WARRANTY:** Guarantee is 12 months from purchase date, proof of which will be required for any claim. **INFORMATION:** For a copy of our latest catalogue and promotions call us on 01284 757525 and leave your full name and address, including postcode.