



INSTRUCTIONS FOR:

# AIR SAW RECIPROCATING

MODEL NO: **S01045.V2**

Thank you for purchasing a Sealey product. Manufactured to a high standard, this product will, if used according to these instructions and maintained properly, give you years of trouble free performance.

**IMPORTANT:** PLEASE READ THESE INSTRUCTIONS CAREFULLY. NOTE THE SAFE OPERATIONAL REQUIREMENTS, WARNINGS & CAUTIONS. USE THE PRODUCT CORRECTLY AND WITH CARE FOR THE PURPOSE FOR WHICH IT IS INTENDED. FAILURE TO DO SO MAY CAUSE DAMAGE AND/OR PERSONAL INJURY AND WILL INVALIDATE THE WARRANTY. KEEP THESE INSTRUCTIONS SAFE FOR FUTURE USE.



Refer to Instructions



Wear Eye Protection



Wear Protective Gloves



Wear Ear Protection



Wear Respiratory Protection

## 1. SAFETY

- WARNING!** Ensure Health & Safety, local authority and general workshop practice regulations are adhered to when using this equipment.
- WARNING!** Disconnect from air supply before changing the blade, servicing or performing maintenance.
- Maintain the saw in good condition (use an authorised service agent).
- Replace or repair damaged parts. Use genuine parts only. Unauthorised parts may be dangerous and will invalidate the warranty.
- Use in suitable clean and tidy work area, free from unrelated materials, Ensure that there is adequate lighting.
- WARNING!** Always wear approved eye or face and hand protection when operating the saw.
- Remove ill fitting clothing. Remove ties, loose jewellery and contain and/or tie back long hair.
- Wear appropriate protective clothing and keep hands and body clear of working parts.
- Maintain correct balance and footing. Ensure the floor is not slippery and wear non-slip shoes.
- Keep children and unauthorised persons away from the work area.
- Check moving parts alignment on a regular basis.
- Ensure workpiece is secure before operating the saw.
- Never hold a workpiece by hand. Use a vice or clamps.
- WARNING!** Ensure correct air pressure is maintained and not exceeded. Recommended pressure 50-90psi.
- Keep air hose away from heat, oil and sharp edges. Check air hose for wear before each use and ensure that all connections are secure.
- Prolonged exposure to vibration from this saw poses a health risk. It is the employer's/owner's responsibility to assess the hazard correctly and issue guidelines for safe periods of use and offer suitable protective equipment.
- DO NOT** use any power source except an air compressor.
- DO NOT** operate saw near any flammable substance or on any container that has held a flammable substance.
- DO NOT** use the saw for a task it is not designed to perform.
- DO NOT** operate saw if any parts are damaged or missing as this may cause failure and/or personal injury.
- DO NOT** carry the saw by the hose, or pull the hose from the air supply.
- DO NOT** operate saw when you are tired or under the influence of alcohol, drugs or intoxicating medication.
- DO NOT** carry the saw with your finger on the trigger.
- DO NOT** direct air from the air hose at yourself or others.
- Always recoil air line in a controlled manner.
- When not in use disconnect from air supply and store in a safe, dry, childproof location.

## 2. INTRODUCTION

Ideal for initial crash-repair preparation when quick removal of damaged panels is required. Fitted with safety trigger device to prevent accidental operation. Features adjustable blade guide. Supplied with a starter pack of blades. Suitable for the DIY enthusiast and light garage use.

## 3. SPECIFICATION

Maximum Cutting Capacity: . . . 2mm(Steel), 2.5mm(Aluminium)  
 Free Speed: . . . . . 10000spm  
 Operating Pressure: . . . . . 90psi  
 Air Consumption: . . . . . .4cfm  
 Air Inlet: . . . . . 1/4" BSP

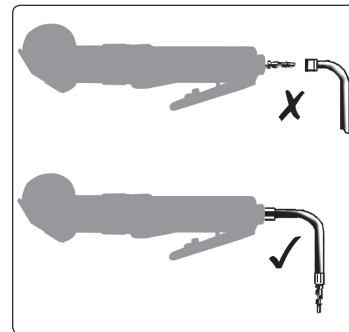
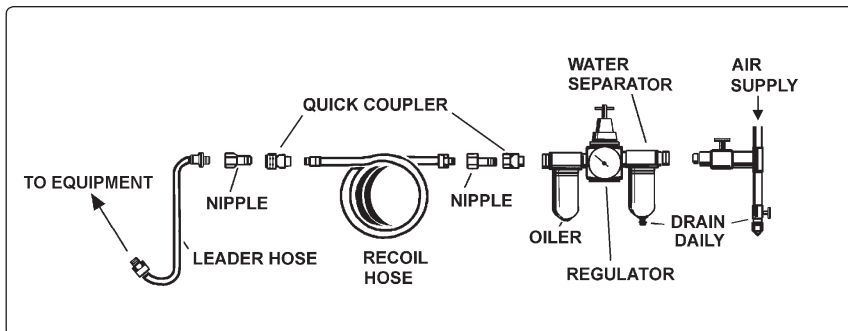
Stroke: . . . . . 10mm  
 Weight: . . . . . 0.6kg  
 Vibration . . . . . 13.9m/s<sup>2</sup>  
 Uncertainty: . . . . . 5.56m/s<sup>2</sup>  
 Noise Power: . . . . . 100dB(A)  
 Noise Pressure: . . . . . 89dB(A)



## 4. AIR SUPPLY

Recommended hook-up procedure is shown below.

- 4.1. The saw requires an air pressure of between 50-90psi and an air flow of 6cfm.
- 4.2. **WARNING!** Ensure the air supply is clean and does not exceed 90psi.  
Too high an air pressure and/or unclean air will result in excessive wear and may be dangerous, causing damage and/or personal injury.
- 4.3. Drain the air tank daily. Water in the air line will damage the saw **and will invalidate your warranty.**
- 4.4. Clean compressor air inlet filter weekly.
- 4.5. Line pressure should be increased to compensate for unusually long air hoses (over 8 metres). The minimum hose diameter should be 1/4" I.D. and fittings must have the same inside dimensions.
- 4.6. Keep hose away from heat, oil and sharp edges. Check hoses for wear and make certain that all connections are secure.
- 4.7. **Couplings**  
Vibration may cause failure if a quick-change coupling is connected directly to the air saw. To overcome this, connect a leader hose (Sealey Part No. AH2R) to the saw. A quick-change coupling may then be used to connect the leader hose to the air line recoil hose.



## 5. OPERATION

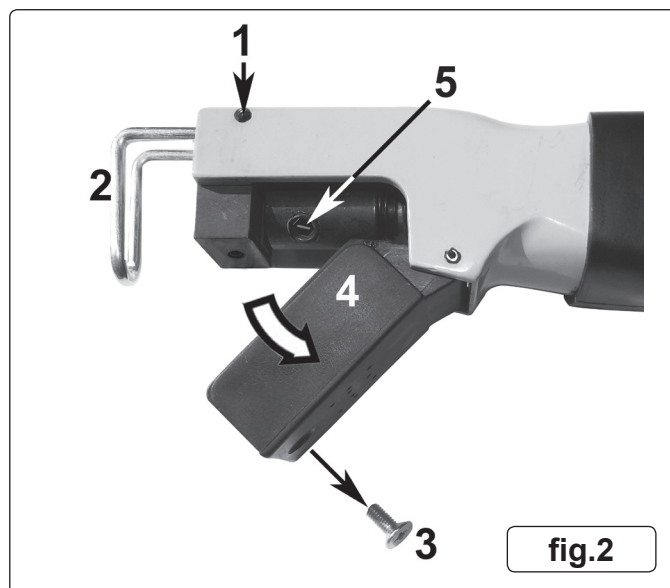
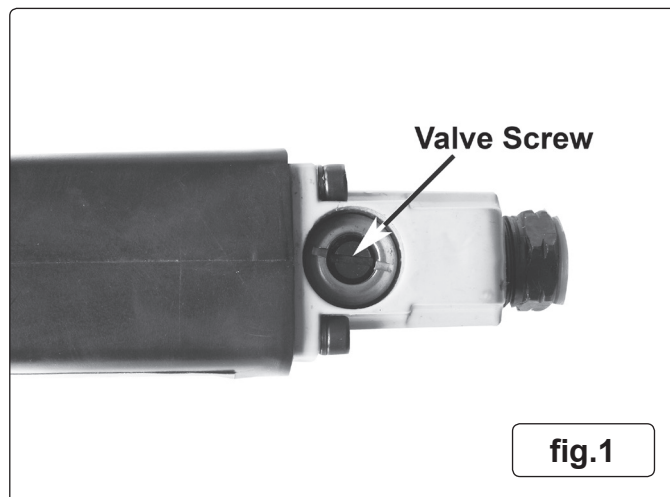
- ❑ **WARNING! Ensure that you read, understand and apply the safety instructions.**

**NOTE: Numbers in brackets refer to item numbers in the parts diagram and list.**

- 5.1. Loosen the two set screws (fig2.1) and adjust, or change, the work guide (fig.2.2) to suit the job. Tighten the set screws.
- 5.2. Ensure that your workpiece is properly secured and, if necessary, marked out.
- 5.3. Start the saw and bring the moving blade onto the workpiece. **DO NOT** attempt to start the saw with the stationary blade in contact with the workpiece.
- 5.4. The maximum blade speed may be regulated by turning the valve screw (fig.1).
- 5.5. If the cut ends within the sheet material, allow the blade to come to a stop before removing the saw from the workpiece.
- 5.6. If the cut starts within the bounds of the material cut a starter slot by hand.
- 5.7. Do not allow the saw to run without load for any length of time as this will damage the bearings.

### 5.8. To change the blade:

- 5.8.1. Disconnect the saw from the air line.
- 5.8.2. Undo the screw (fig.2.3) and open the hinged chuck cover (fig.2.4.).
- 5.8.3. Loosen one of the two blade retaining set screws slightly (fig.2.5) and remove the blade.
- 5.8.4. Slide new blade into place and tighten the loosened set screw. Check that blade is fitted with the cutting edge towards the chuck cover.
- 5.8.5. Close the chuck cover and retain with the screw.



## 6. MAINTENANCE

- **WARNING!** Disconnect saw from air supply before changing the blade, servicing or performing maintenance. *Use genuine parts only. Unauthorised parts may be dangerous and will invalidate the warranty.*
- 6.1. Unless the air supply system includes an oiler, lubricate the air saw daily with a few drops of air tool oil, dripped into the air inlet before use (use Sealey part no. ATO/500 or ATO1000).
- 6.2. Loss of power or erratic action may be due to the following:
  - a) Excessive drain on the air line. Moisture or restriction in the air line. Incorrect size or type of hose connectors. To remedy, check the air supply and follow instructions in Section 4.
  - b) Grit or gum deposits in the saw may also reduce performance. If your model has an air strainer (located in the area of the air inlet), remove the strainer and clean it. Flush the saw out with gum solvent oil or an equal mixture of SAE No 10 oil and kerosene. Allow to dry before use.If you continue to experience problems, contact your local Sealey service agent.
- 6.3. For a full service contact your local Sealey service agent.
- 6.4. When not in use, disconnect from air supply, clean saw and store in a safe, dry, childproof location.

### Environmental Protection



Recycle unwanted materials instead of disposing of them as waste. All tools, accessories and packaging should be sorted, taken to a recycling centre and disposed of in a manner which is compatible with the environment. When the product becomes completely unserviceable dispose of it according to local regulations.

**Parts support is available for this product. To obtain a parts listing and/or diagram, please log on to [www.sealey.co.uk](http://www.sealey.co.uk), email [sales@sealey.co.uk](mailto:sales@sealey.co.uk) or telephone 01284 757500.**

**NOTE:** It is our policy to continually improve products and as such we reserve the right to alter data, specifications and component parts without prior notice.

**IMPORTANT:** No liability is accepted for incorrect use of this product.

**WARRANTY:** Guarantee is 12 months from purchase date, proof of which will be required for any claim.



**Sole UK Distributor, Sealey Group,**  
Kempson Way, Suffolk Business Park,  
Bury St. Edmunds, Suffolk,  
IP32 7AR



01284 757500



01284 703534



[www.sealey.co.uk](http://www.sealey.co.uk)



[sales@sealey.co.uk](mailto:sales@sealey.co.uk)

## **WARNING! – Risk of Hand Arm Vibration Injury.**

**This tool may cause Hand Arm Vibration Syndrome if its use is not managed adequately.**

This tool is subject to the vibration testing section of the Machinery Directive 2006/42/EC.

This tool is to be operated in accordance with these instructions.

**Measured vibration emission value (a): . . . . .13.9 m/s<sup>2</sup>**

**Uncertainty value (k):. . . . . 5.56m/s<sup>2</sup>**

*Please note that the application of the tool to a sole specialist task may produce a different average vibration emission. We recommend that a specific evaluation of the vibration emission is conducted prior to commencing with a specialist task.*

A health and safety assessment by the user (or employer) will need to be carried out to determine the suitable duration of use for each tool.

**NB:** Stated Vibration Emission values are type-test values and are intended to be typical.

Whilst in use, the actual value will vary considerably from and depend on many factors.

Such factors include; the operator, the task and the inserted tool or consumable.

**NB:** ensure that the length of leader hoses is sufficient to allow unrestricted use, as this also helps to reduce vibration.

*The state of maintenance of the tool itself is also an important factor, a poorly maintained tool will also increase the risk of Hand Arm Vibration Syndrome.*

### **Health surveillance.**

We recommend a programme of health surveillance to detect early symptoms of vibration injury so that management procedures can be modified accordingly.

### **Personal protective equipment.**

We are not aware of any personal protective equipment (PPE) that provides protection against vibration injury that may result from the uncontrolled use of this tool. We recommend a sufficient supply of clothing (including gloves) to enable the operator to remain warm and dry and maintain good blood circulation in fingers etc. Please note that the most effective protection is prevention, please refer to the Correct Use and Maintenance section in these instructions. Guidance relating to the management of hand arm vibration can be found on the HSE website [www.hse.gov.uk](http://www.hse.gov.uk) - Hand-Arm Vibration at Work.