



INSTRUCTIONS FOR
HVLP SPRAY GUN KIT 700W
MODEL NO: **HVLP3000**

Thank you for purchasing a Sealey product. Manufactured to a high standard, this product will, if used according to these instructions, and properly maintained, give you years of trouble free performance.

IMPORTANT: PLEASE READ THESE INSTRUCTIONS CAREFULLY. NOTE THE SAFE OPERATIONAL REQUIREMENTS, WARNINGS & CAUTIONS. USE THE PRODUCT CORRECTLY AND WITH CARE FOR THE PURPOSE FOR WHICH IT IS INTENDED. FAILURE TO DO SO MAY CAUSE DAMAGE AND/OR PERSONAL INJURY AND WILL INVALIDATE THE WARRANTY. KEEP THESE INSTRUCTIONS SAFE FOR FUTURE USE.



Refer to
Instruction
Manual



Wear
respiratory
Protection

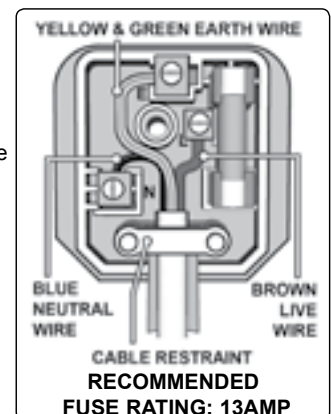
1. SAFETY


1.1. ELECTRICAL SAFETY.

- ☐ **WARNING!** It is the user's responsibility to read, understand and comply with the following:

You must check all electrical equipment and appliances to ensure they are safe before using. You must inspect power supply leads, plugs and all electrical connections for wear and damage. You must ensure the risk of electric shock is minimised by the installation of appropriate safety devices. An RCCB (Residual Current Circuit Breaker) should be incorporated in the main distribution board. We also recommend that an RCD (Residual Current Device) is used with all electrical products. It is particularly important to use an RCD with portable products that are plugged into an electrical supply not protected by an RCCB. If in doubt consult a qualified electrician. You may obtain a Residual Current Device by contacting your Sealey dealer. You must also read and understand the following instructions concerning electrical safety.

- 1.1.1. The Electricity At Work Act 1989 requires all portable electrical appliances, if used on business premises, to be tested by a qualified electrician, using a Portable Appliance Tester (PAT), at least once a year.
- 1.1.2. The Health & Safety at Work Act 1974 makes owners of electrical appliances responsible for the safe condition of the appliance and the safety of the appliance operator. If in any doubt about electrical safety, contact a qualified electrician.
- 1.1.3. Ensure the insulation on all cables and the product itself is safe before connecting to the mains power supply. See 1.1.1. & 1.1.2. above and use a Portable Appliance Tester (PAT).
- 1.1.4. Ensure that cables are always protected against short circuit and overload.
- 1.1.5. Regularly inspect power supply, leads, plugs for wear and damage and all electrical connections to ensure that none are loose.
- 1.1.6. Important: Ensure the voltage marked on the product is the same as the electrical power supply to be used and check that plugs are fitted with the correct capacity fuse. A 13 amp plug may require a fuse smaller than 13 amps for certain products, see fuse rating at right.
- 1.1.7. **DO NOT** pull or carry the powered appliance by its power supply lead.
- 1.1.8. **DO NOT** pull power plugs from sockets by the power cable.
- 1.1.9. **DO NOT** use worn or damaged leads, plugs or connections. Immediately replace or have repaired by a qualified electrician. A U.K. 3 pin plug with ASTA/BS approval is fitted. In case of damage, cut off and fit a new plug according to the following instructions (discard old plug safely). (UK only - see diagram at right). Ensure the unit is correctly earthed via a three-pin plug.
 - a) Connect the green/yellow earth wire to the earth terminal 'E'.
 - b) Connect the brown live wire to live terminal 'L'.
 - c) Connect the blue neutral wire to the neutral terminal 'N'.
 - d) After wiring, check there are no bare wires, that all wires have been correctly connected, that cable outer insulation extends beyond the cable restraint and that the restraint is tight.



Double insulated products are often fitted with live (BROWN) and neutral (BLUE) wires only. Double insulated products are always marked with this symbol.  To re-wire, connect the brown and blue wires as indicated above. **DO NOT** connect the brown or blue to the earth terminal.

- 1.1.10. Some products require more than a 13 amp electrical supply. In such a case, NO plug will be fitted. You must contact a qualified electrician to ensure a 30 amp fused supply is available. We recommend you discuss the installation of a industrial round pin plug and socket with your electrician.
- 1.1.11. Cable extension reels. When a cable extension reel is used it should be fully unwound before connection. A cable reel with an RCD fitted is recommended since any product which is plugged into the cable reel will be protected. The section of the cores of the cable is important. We suggest 1.5mm² section as a minimum but to be absolutely sure that the capacity of the cable reel is suitable for this product and for others that may be used in the other output sockets, we recommend the use of 2.5mm² section cable.

1.2. GENERAL SAFETY.

- ✓ Familiarise yourself with the application, limitations and potential hazards peculiar to the spray gun.
- ☐ **WARNING!** Disconnect the spray gun from the air hose before changing accessories, servicing or performing any maintenance.
- ✓ Maintain the spray gun in good condition (use an authorised service agent).
- ✓ Replace or repair damaged parts. Use recommended parts only. Unauthorised parts may be dangerous and will invalidate the warranty.
- ✓ Keep the spray gun clean for best and safest performance.

- ✓ Wear approved safety respiratory protection and safety goggles.
- ✓ Remove ill fitting clothing. Remove ties, watches, rings, and other loose jewellery, and tie back long hair.
- ✓ Locate the spray gun in the desired working area, keep area clean and tidy and free from unrelated materials and ensure that there is adequate ventilation and lighting.
- ✓ Keep children and unauthorised persons away from the working area.
- ✓ Avoid unintentional operation.
- ✗ **DO NOT** point spray gun at yourself, other persons or animals.
- ✗ **DO NOT** carry the spray gun by the hose, or yank the hose.
- ✗ **DO NOT** use the spray gun for any purpose other than for which it is designed.
- ✗ **DO NOT** allow untrained persons to operate the spray gun.
- ✗ **DO NOT** operate the spray gun if any parts are missing or damaged as this may cause failure and/or possible personal injury.
- ✗ **DO NOT** direct air from the air hose at yourself, other persons or animals..
- ✗ When not in use switch the unit off and disconnect from the mains power supply.
- ✗ **DO NOT** use the machine in the presence of flammable liquids or gases, or on premises where explosive substances are stored.
- ✗ **DO NOT** open the main unit or loosen or remove any of its retaining screws.
- ✗ **DO NOT** mix or thin paint in an area where there may be functioning appliances producing a naked flame or electrical sparking. This includes equipment that is electric motor powered.
- ✗ **DO NOT** switch on the spray gun when paint is being mixed or thinned.
- ✗ Ensure that any vapours have dispersed before switching on the spray gun.
- ✗ Tightly recap all containers immediately after thinning or mixing paint, and store away from the spraying area.
- ✗ **DO NOT** spray near any sources of ignition such as an open fire, cigarettes, cigars or pipes, sparks, glowing wires or hot surfaces or naked lighting.
- ✗ Ensure that the air hose is firmly connected to the unit and the gun to avoid the possibility of any spilt material being drawn into the unit.
- ✓ When not in use, thoroughly clean the spray gun and then store it in a safe, dry, childproof location.

NOTE: This appliance can be used by children aged from 8 years and above and persons with reduced physical, sensory or mental capabilities or lack of experience and knowledge if they have been given supervision or instruction concerning use of the appliance in a safe way and understand the hazards involved. Children shall not play with the appliance. Cleaning and user maintenance shall not be made by children without supervision.

2. INTRODUCTION

700W Electric motor provides continuous high volume of air for even paint coverage. Extendable handle and hose storage provides easy manoeuvrability. Suitable for interior and exterior use, applying water and oil based paints, lacquers, preservatives and stains.

3. SPECIFICATION

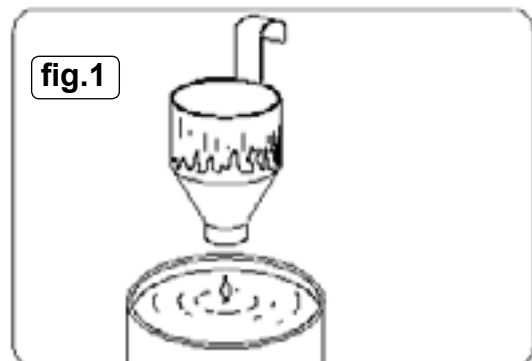
Model:HVL3000
Power:.....700W
Maximum air pressure:..... 4.35psi
Voltage:.....230V
Spray gun set up:.....2.5mm
Pot capacity: 800ml
Air hose length:3mtr
Weight:..... 3kg

4. PAINT PREPARATION

4.1. CHECKING PAINT VISCOSITY Refer to fig.1

- 4.1.1. As most paints are made for brush or roller, it will normally be necessary to thin the paint to achieve proper atomisation and good coverage.
- 4.1.2. Use the viscosity cup provided to check the viscosity of the material prior to thinning.
- 4.1.3. Stir the paint thoroughly.
- 4.1.4. Dip the cup (capacity 10cm³) completely into the coating material, below its rim level and allow it to fill.
- 4.1.5. Lift the viscosity measuring cup and measure the time in seconds elapsed until the cup is empty. This runoff time is called **DIN seconds (DIN-s)**.
- 4.1.6. Use the viscosity table below to dilute the material to be sprayed. Refer to the coating manufacturer's information for details and suitability for spraying.

Coating Material	Viscosity DIN-s
Solvent containing gloss paints	15-50
Primers	25-50
Mordants	Undiluted
2 pack paints	20-50
Clear varnishes	15-40
Water dilutable gloss paints	20-40
Motor vehicle enamels	20-40
Wood preservatives	Undiluted



4.2. PAINT CONDITION

- 4.2.1. Any debris in the paint will clog the spray gun, which will then require a complete strip down and clean, before the spray gun will function again properly. This is particularly important when using paint that has previously been opened. The paint should be thoroughly mixed and free from any lumps. If necessary, strain the paint through a 60 mesh paint strainer, to ensure a smooth finish. The paint should be strained into a clean container and if any paint is left over, it should be stored in a clean container.



5. ASSEMBLY

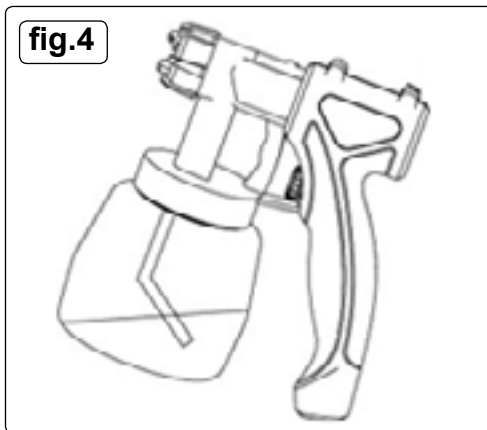
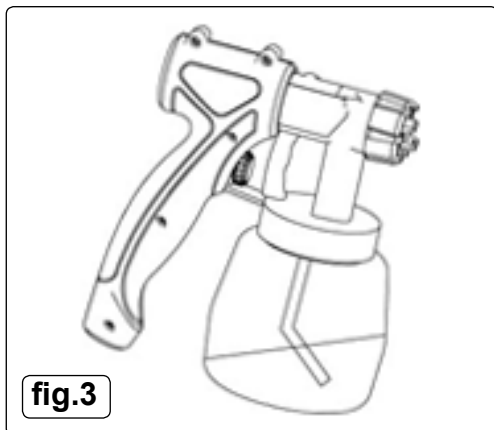
5.1. FIT AIR HOSE Refer to fig.2 A and B

- 5.1.1. Both ends of the air hose are the same and fitted with a bayonet connector.
5.1.2. Insert the bayonet into the air outlet and turn anticlockwise to lock.
5.1.3. Insert the other end into the back of the spray gun and turn anticlockwise to lock.

6. OPERATION

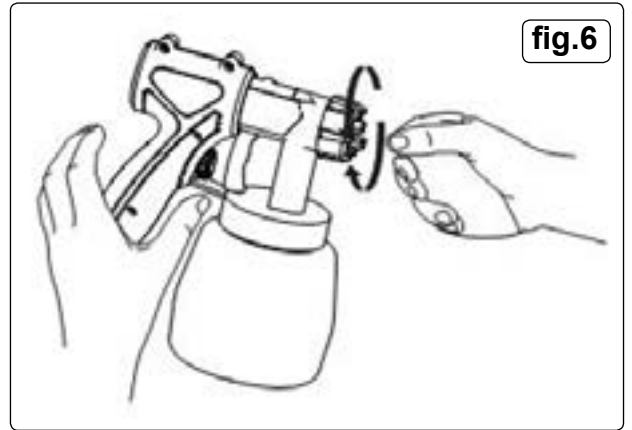
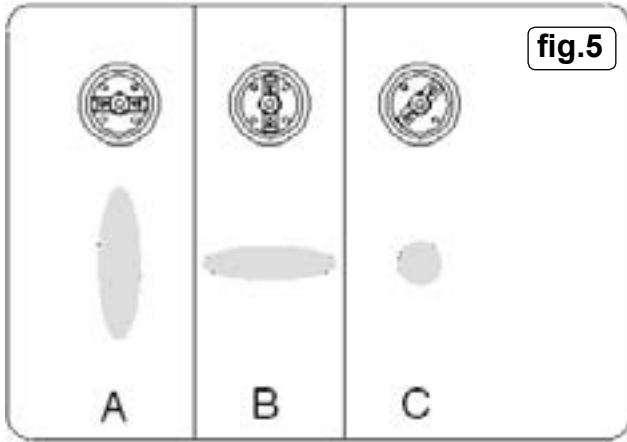
6.1. ADJUST PICK UP PIPE

- 6.1.1. It should be possible to spray until there is very little material left in the spray gun container.
6.1.2. Unscrew container from the spray gun.
6.1.3. For spraying horizontal objects adjust the pick up pipe as it is shown in fig.3. (Turn the pipe forwards).
6.1.4. For overhead objects see fig.4. (Turn the pipe backwards).



- 6.2. Fill the container with coating material and screw it back onto the gun.
6.3. Put the spray gun in the holder.

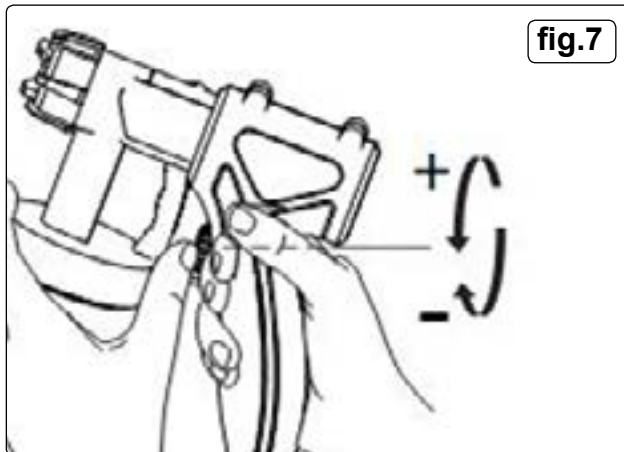
- 6.4. Position the spray gun assembly onto an even and clean surface, as it could pick up dust and dirt.
- 6.5. Connect to the mains.
- 6.6. Take the spray gun out of the holder and direct towards object being sprayed. Turn on using the ON/OFF switch.
- 6.7. **ADJUSTING THE SPRAY PATTERN** See figs.5 and 6



- 6.7.1. Choice of spraying effects is:
 - A = vertical flat jet for horizontal surfaces
 - B = horizontal jet for vertical surfaces
 - C = round jet for corners, edges and other inaccessible places.
- ▲ **IMPORTANT** Never pull the trigger when making adjustments to the air cap.

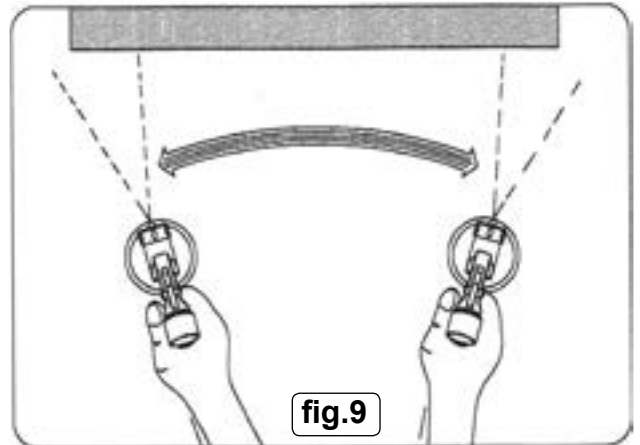
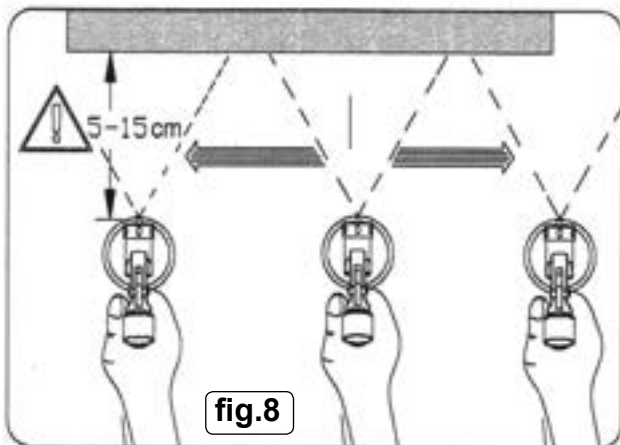
6.8. **ADJUSTING THE AMOUNT OF MATERIAL** See fig.7

- 6.8.1. Turn the adjustment knob anticlockwise to the (+) for more material, turn clockwise to the (-) for less material.

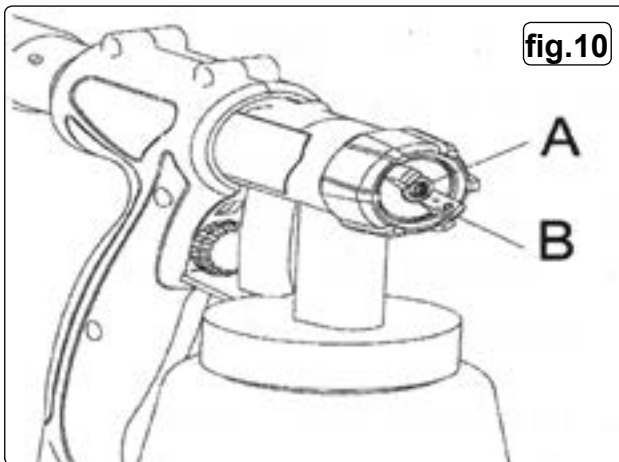


6.9. **SPRAYING TECHNIQUE**

- 6.9.1. Successful spraying results depend on how smooth and clean the surface is before spraying is begun. The surface should be carefully prepared and kept free of dust.
- 6.9.2. Surfaces that are not to be sprayed should be carefully masked off.
- 6.9.3. It is good practice to perform a trial spraying on a piece of wood or cardboard etc. to find the most suitable spray gun adjustments.



- ▲ **IMPORTANT!** Begin spraying outside of the surface to be sprayed and avoid stopping on the surface.
- 6.9.4. **Correct Spraying Technique See fig.8**
- 6.9.4.1. Always hold the spray gun at an even distance from the object to be sprayed approximately 5-15cm.
- 6.9.4.2. Move the spray gun evenly across or up and down, depending on the adjusted spraying effect, see section 6.7.1.
- 6.9.4.3. **Incorrect Spraying Technique See fig.9**
- 6.9.4.4. An uneven movement of the spray gun, for example in an arc, will lead to excessive paint mist and an uneven paint finish.
- 6.9.5. If coating material builds up in the nozzle A and air cap B, see fig.10, clean both parts with solvent or water, depending on the material being sprayed.



6.10. BREAKS IN WORK

- 6.10.1. Turn off the sprayer.
- 6.10.2. Place the spray gun in its holder.

6.11. CLOSING DOWN AND CLEANING

- 6.11.1. Turn off the sprayer.
- 6.11.2. Open the trigger so that the coating material in the spray gun runs back into the container.
- 6.11.3. Unscrew the container. Return the coating material into the material can.
- 6.11.4. Clean the container and the pick up pipe with a brush.
- 6.11.5. Fill the container with solvent or water.
- NOTE:** Only use solvent with a flash point of over 21°C.
- 6.11.6. Turn on the sprayer and spray the solvent or water into a container. If a tube is not used solvent or water will be deposited outside of the container, this is due to high air volume.
- 6.11.7. Repeat the above procedure until solvent or water runs clear out of the nozzle.
- 6.11.8. Turn off the sprayer and completely empty the container. Always keep the container seal free of coating material and check for damage.
- 6.11.9. Clean the outside of the spray gun and the container with a cloth soaked in solvent or water.
- NOTE:** Never clean the nozzle of air hole of the spray gun with sharp metallic objects.

Parts support is available for this product. To obtain a parts listing and/or diagram, please log on to www.sealey.co.uk, email sales@sealey.co.uk or telephone 01284 757500.



Environmental Protection
Recycle unwanted materials instead of disposing of them as waste. All tools, accessories and packaging should be sorted, taken to a recycling centre and disposed of in a manner which is compatible with the environment. When the product becomes completely unserviceable and requires disposal, drain off any fluids (if applicable) into approved containers and dispose of the product and the fluids according to local regulations.



WEEE Regulations
Dispose of this product at the end of its working life in compliance with the EU Directive on Waste Electrical and Electronic Equipment (WEEE). When the product is no longer required, it must be disposed of in an environmentally protective way. Contact your local solid waste authority for recycling information.

NOTE: It is our policy to continually improve products and as such we reserve the right to alter data, specifications and component parts without prior notice.

IMPORTANT: No liability is accepted for incorrect use of this product.

WARRANTY: Guarantee is 12 months from purchase date, proof of which will be required for any claim.



Sole UK Distributor, Sealey Group.
Kempson Way, Suffolk Business Park,
Bury St. Edmunds, Suffolk.
IP32 7AR



01284 757500



01284 703534



www.sealey.co.uk



sales@sealey.co.uk