



INSTRUCTIONS FOR:  
**10 DRAWER TOPCHEST/13 DRAWER ROLL CAB  
 WITH BALL BEARING RUNNERS**  
**MODEL No's: AP5210T/AP5210TB/AP5213T/AP5213TB**

Thank you for purchasing a Sealey product. Manufactured to a high standard this product will, if used according to these instructions and properly maintained, give you years of trouble free performance.



**IMPORTANT: PLEASE READ THESE INSTRUCTIONS CAREFULLY. NOTE THE SAFE OPERATIONAL REQUIREMENTS, WARNINGS & CAUTIONS. USE THE PRODUCT CORRECTLY AND WITH CARE FOR THE PURPOSE FOR WHICH IT IS INTENDED. FAILURE TO DO SO MAY CAUSE DAMAGE AND/OR PERSONAL INJURY, AND WILL INVALIDATE THE WARRANTY. PLEASE KEEP INSTRUCTIONS SAFE FOR FUTURE USE.**

**1. SAFETY**

**1.1. GENERAL SAFETY**

- WARNING!** Ensure Health & Safety, local authority, and general workshop practice regulations are adhered to when using this Topchest & Rollcab combination.
- ✓ Locate the Topchest & Rollcab combination in a suitable working area.
- ✓ Use the Rollcab on level and solid ground, preferably concrete.
- ✓ Keep the work area clean, uncluttered and ensure that there is adequate lighting.
- ✓ Keep the Topchest & Rollcab combination clean and tidy in accordance with good workshop practice.
- ✓ Keep children and unauthorised persons away from the working area.
- x **DO NOT** use the Topchest & Rollcab combination for any purpose other than that for which it is designed.
- x **DO NOT** move the Topchest & Rollcab combination with drawers open. To avoid tipping, open one drawer at a time and close and secure all drawers whilst moving.
- x **DO NOT** overload or step on the drawers.
- x **DO NOT** place the Topchest & Rollcab combination in a damp or wet location or an area where there is condensation.
- x **DO NOT** clean the Topchest & Rollcab combination with any solvents which may damage the surfaces or the protective coating.
- WARNING!** The warnings, cautions and instructions referred to in these instructions cannot cover all possible conditions and situations that may occur. It must be understood that common sense and caution are factors which cannot be built into this product, but must be applied by the operator.

**2. INTRODUCTION**

- Designed to take our modular tool trays.
- All heavy gauged steel construction and manufactured with steel inner walls for extra strength and durability.
- Heavy-duty 45mm ball bearing drawer runners provide superior performance and carry heavier loads.
- Full height rear locking mechanism, locks full-length drawers in multiple locations.
- Added security provided by tumbler locks, supplied with two folding keys.
- Rust and solvent resistant powder coat paint finish.
- The rollcab is fitted with four Ø125mm rubber wheels, two castors with large toe locks and two fixed wheels.
- Topchest features heavy-duty side handles.
- Rollcab features a high, polished chrome handle for comfort and control when manoeuvring.
- Rollcab supplied with a 10mm thick top mat to protect top surface from scratching.
- Drawers feature stylish aluminium drawer pulls and non-slip liners.

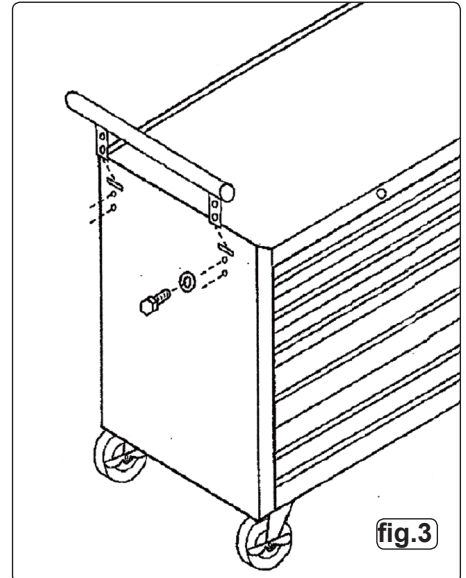
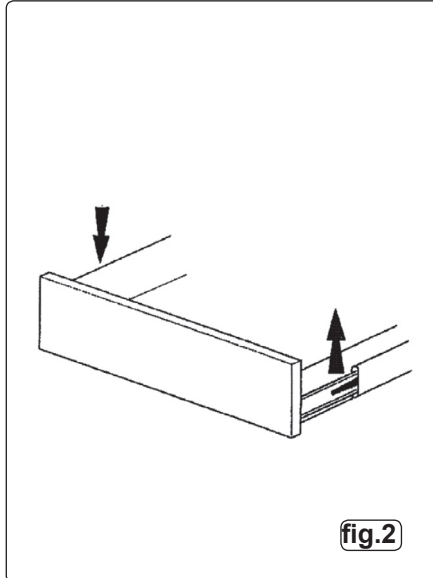
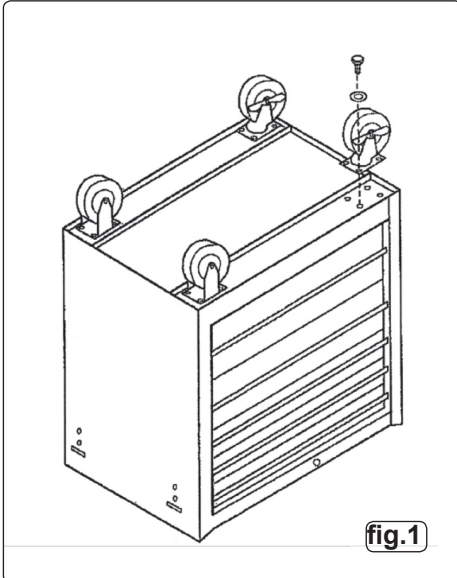
**3. SPECIFICATIONS**

Model No:	AP5210T & AP5210TB	AP5213T & AP5213TB
Overall Size (WxDxH):	1264 x 435 x 492mm	1290 x 463 x 991mm
Medium Drawer:	(x10) 533 x 398 x 60mm	(x10) 533 x 398 x 60mm
Large Drawer:	-	(x2) 533 x 398 x 165mm
Full Width Large Drawer:	-	(x1) 1140 x 398 x 120mm



## 4. ASSEMBLY

- 4.1. These units are heavy, obtain the help of at least one other person before attempting to unpack and move them.
- 4.2. Attach the wheels to the bottom of the rollcab using 4 bolts and washers per wheel. The braked swivel wheels should be mounted on the same end as the side mounted handle (left hand side, fig.1).
- 4.3. Mount the side mounted handle onto the cabinet and attach with 4 bolts and washers (fig.3).
- 4.4. AP5210T/AP5210TB Topchest can be placed on top of AP5213T/AP5213TB Rollcab as in the photograph below.
- 4.5. To remove a drawer with roller sliders, pull the drawer completely out, press down the left tab and lift up the right tab, pull the drawer off the slides (fig.2). To reinstall the drawer, realign with the internal drawer slide and push until it locks in place.  
**IMPORTANT:** To avoid tipping, open one drawer at a time and close and secure all drawers whilst moving the topchest/rollcab.
- 4.6. Periodically lubricate wheel axles and tighten all nuts and bolts.



Parts support is available for this product. To obtain parts, email [sales@sealey.co.uk](mailto:sales@sealey.co.uk) or phone 01284 757500.

**NOTE:** It is our policy to continually improve products and as such we reserve the right to alter data, specifications and component parts without prior notice.

**IMPORTANT:** No liability is accepted for incorrect use of this product.

**WARRANTY:** Guarantee is 12 months from purchase date, proof of which will be required for any claim.

**INFORMATION:** For a copy of our catalogue and latest promotions call us on 01284 757525 and leave your full name, address and postcode.



Sole UK Distributor, Sealey Group,  
Kempson Way, Suffolk Business  
Park, Bury St. Edmunds, Suffolk,  
IP32 7AR



01284 757500



01284 703534



[www.sealey.co.uk](http://www.sealey.co.uk)



[sales@sealey.co.uk](mailto:sales@sealey.co.uk)