



# INSTRUCTIONS FOR: SPRAY BOOTH STAND

Model No: **MK61**

Thank you for purchasing a Sealey product. Manufactured to a high standard this product will, if used according to these instructions and properly maintained, give you years of trouble free performance.

**IMPORTANT: PLEASE READ THESE INSTRUCTIONS CAREFULLY. NOTE THE SAFE OPERATIONAL REQUIREMENTS, WARNINGS AND CAUTIONS. USE THE PRODUCT CORRECTLY AND WITH CARE FOR THE PURPOSE FOR WHICH IT IS INTENDED. FAILURE TO DO SO MAY CAUSE DAMAGE AND/OR PERSONAL INJURY AND WILL INVALIDATE THE WARRANTY. PLEASE KEEP INSTRUCTIONS SAFE FOR FUTURE USE.**

## 1. SAFETY INSTRUCTIONS

- ✓ Familiarise yourself with the application and the limitations and potential hazards of the stand.
- ✓ Maintain the stand in good condition, use authorised replacement parts only.
- ✓ Locate the stand in a suitable, clean work area.
- ☐ **WARNING!** Use the stand on level and solid ground only, preferably concrete.
- ✗ **DO NOT** overload the stand.
- ✗ **DO NOT** climb on the stand.
- ✗ **DO NOT** use the stand for any purpose, other than that for which it is designed.
- ✗ **DO NOT** use the stand if any parts are damaged or missing as this may cause failure and/or personal injury.
- ✓ Keep the work area clean, uncluttered and ensure that there is adequate lighting.
- ✓ Keep children and unauthorised persons away from the work area.
- ✓ Keep the stand clean for best and safest performance and when not in use, store in a safe, dry, childproof location.

Part No.	Description	Quantity
1	Base tube (short)	2
2	Washer (3/8")	4
3	Nut (3/8")	4
4	Adjust screw	4
5	Screw (3/8"x1-1/2")	4
6	Bottom cross tube	1
7	Knob	4
8	Upright	1
9	Plug	2
10	Set plate	2
11	Top cross tube	1

## 2. INTRODUCTION

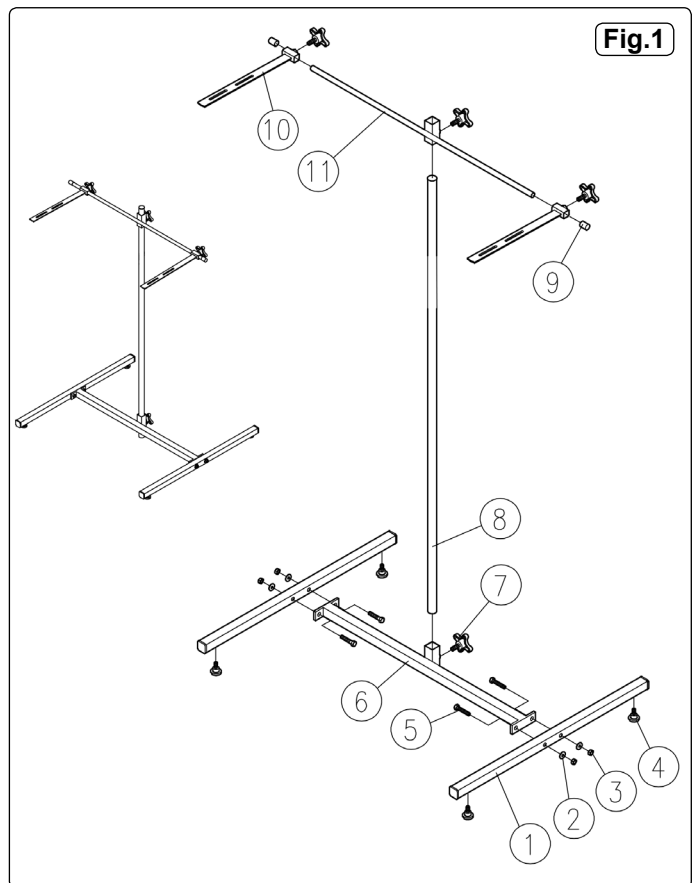
Ideal for holding small vehicle body parts such as grilles, spoilers, wings and mirror housings during and prior to spraying.

## 3. ASSEMBLY INSTRUCTIONS

- 3.1. Check the contents against Fig.1 and the parts list to confirm that all are present, and to familiarise yourself with the parts.
- 3.2. Mount base tubes (short) (1) onto bottom cross tube (6), using screws (5), washers (2) and nuts (3) tighten.
- 3.3. Put knob (7) into base tube ready to receive upright (8), insert upright, tighten knob (7).
- 3.4. Fit top cross tube (11) secure with a knob (7).
- 3.5. Fit set plates (10) onto the ends of the top cross tube (11) secure with knobs (7) and fit plugs (9) on each end.
- 3.6. Fit the four adjusting screws (4) into the bottom of the base tubes (1) and adjust them until the stand is level.

## 4. OPERATION

- 4.1. Loosen the knobs and adjust the position of the cross tube and set plates as required.
- 4.2. If required, secure the help of a second person, and lift the vehicle panel into position, find a suitable feature to rest on.
- 4.3. If further security is required, use chains or similar to attach to a suitable feature on the panel and stretch the chain to the set plates.  
**DO NOT** let go of the panel until you are sure that it is properly secured.
- 4.4. Retighten the knobs to lock them.
- 4.5. Check that the panel is stable before moving the stand.



**Environmental Protection.**  
Recycle unwanted materials instead of disposing of them as waste. All tools, accessories and packaging should be sorted, taken to a recycle centre and disposed of in a manner which is compatible with the environment.

**Parts support is available for this product. To obtain a parts listing and/or diagram, please log on to [www.sealey.co.uk](http://www.sealey.co.uk), email [sales@sealey.co.uk](mailto:sales@sealey.co.uk) or phone 01284 757500.**

**NOTE:** It is our policy to continually improve products and as such we reserve the right to alter data, specifications and component parts without prior notice.

**IMPORTANT:** No liability is accepted for incorrect use of this product.

**WARRANTY:** Guarantee is 12 months from purchase date, proof of which will be required for any claim.

**INFORMATION:** For a copy of our latest catalogue and promotions call us on 01284 757525 and leave your full name and address, including postcode.



Sole UK Distributor, Sealey Group,  
Kempson Way, Suffolk Business Park,  
Bury St. Edmunds, Suffolk,  
IP32 7AR

01284 757500

[www.sealey.co.uk](http://www.sealey.co.uk)

01284 703534

[sales@sealey.co.uk](mailto:sales@sealey.co.uk)