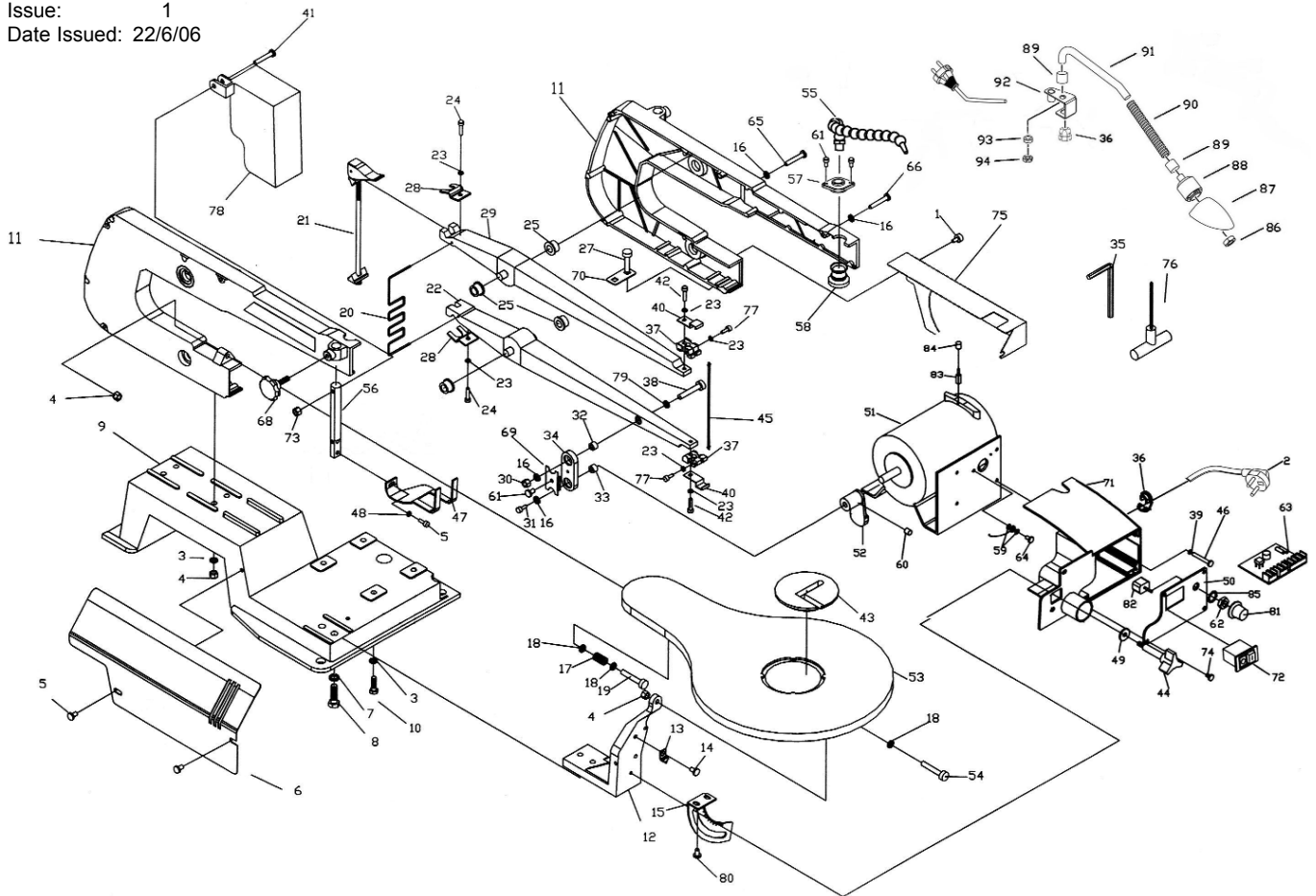


SEALEY

Quality MACHINERY

PARTS FOR:
VARIABLE SPEED SCROLL SAW
MODEL: **SM1302**

Issue: 1
Date Issued: 22/6/06



ITEM	PART No	DESCRIPTION	ITEM	PART No	DESCRIPTION	ITEM	PART No	DESCRIPTION
1	SM1302.01	SCREW (ST4.2x10)	35	SM1302.35	HEX KEY 4mm	68	SM1302.68	KNOB
3	SM1302.03	SPRING WASHER 6	36	SM1302.36	STRAIN RELIEF	69	SM1302.69	BEARING RETAINER
4	SM1302.04	HEX NUT 6mm	37	SM1302.37	BLADE ADAPTER	70	SM1302.70	SET PLATE
5	SM1302.05	PAN HEAD SCREW (M5x10)	38	SM1302.38	HEX HEAD SCREW (M5x25)	71	SM1302.71	SWITCH BOX
6	SM1302.06	PLATE COVER	39	SM1302.39	WASHER	72	SM1302.72	ON/OFF SWITCH
7	SM1302.07	SPRING WASHER 8	40	SM1302.40	PLATE CHIP	73	SM1302.73	HEX NUT M5
8	SM1302.08	BOLT (M8x25)	41	SM1302.41	PAN HEAD SCREW (ST4.2x10)	74	SM1302.74	SCREW (ST4.2x13)
9	SM1302.09	BASE	42	SM1302.42	HEX HEAD SCREW (M4x16)	75	SM1302.75	BACK PLATE COVER
10	SM1302.10	BOLT (M6x16)	43	SM1302.43	TABLE INSERT	76	SM1302.76	3mm T-HANDLE HEX KEY
11	SM1302.11	ARM HOUSING SET	44	SM1302.44	TABLE LOCK KNOB	77	SM1302.77	SCREW M4x16
12	SM1302.12	SUPPORT TABLE	45	SM1302.45	BLADE	78	SM1302.78	BLADE GUARD
13	SM1302.13	SCALE INDICATOR	46	SM1302.46	PAN HEAD SCREW (M4x16)	79	SM1302.79	FLAT WASHER
14	SM1302.14	PAN HEAD SCREW (M6x12)	47	SM1302.47	DROP FOOT	80	SM1302.80	SCREW M5x8
15	SM1302.15	BEVEL SCALE	48	SM1302.48	TOOTH WASHER	81	SM1302.81	ADJUST KNOB
16	SM1302.16	SPRING WASHER 5	49	SM1302.49	WASHER	82	SM1302.82	RELAY
17	SM1302.17	SPRING	50	SM1302.50	SWITCH PLATE	83	SM1302.83	CARBON BRUSH
18	SM1302.18	WASHER 6	51	SM1302.51	MOTOR	84	SM1302.84	CARBON BRUSH COVER
19	SM1302.19	HEX SOCKET SCREW (M6x40)	52	SM1302.52	ECCENTRIC	85	SM1302.85	LOCK WASHER 10
20	SM1302.20	SPRING	53	SM1302.53	SAW, TABLE	86	SM1302.86	RING
21	SM1302.21	BLADE TENSION SET	54	SM1302.54	HEX HEAD SCREW (M6x35)	87	SM1302.87	LAMP COVER
22	SM1302.22	ARM, LOWER	55	SM1302.55	PLASTIC TUBING	88	SM1302.88	SOCKET
23	SM1302.23	SPRING WASHER 4	56	SM1302.56	ADJUSTMENT LEVEL	89	SM1302.89	TUBE
24	SM1302.24	HEX HEAD SCREW (M4x10)	57	SM1302.57	BELLOWS LOCK	90	SM1302.90	NYLON TUBE
25	SM1302.25	BEARING FLANGE	58	SM1302.58	BELLOWS	91	SM1302.91	PIPE
27	SM1302.27	BOLT (M6x25)	59	SM1302.59	TOOTH WASHER	92	SM1302.92	CONNECTION ASSY
28	SM1302.28	RETAINER	60	SM1302.60	HEX SET SCREW (M8x8)	93	SM1302.93	SPRING WASHER
29	SM1302.29	ARM, UPPER	61	SM1302.61	PAN HEAD SCREW ST4.2x8	94	SM1302.94	NUT M10
30	SM1302.30	HEX NUT M5	62	SM1302.62	HEX NUT M10			
31	SM1302.31	HEX HEAD SCREW (M5x20)	63	SM1302.63	PCB			
32	SM1302.32	SPACER	64	SM1302.64	PAN HEAD SCREW (M4x6)			
33	SM1302.33	LARGE WASHER	65	SM1302.65	PAN HEAD SCREW (M5x35)			
34	SM1302.34	LINK	66	SM1302.66	PAN HEAD SCREW (M5x30)			

NOTE: It is our policy to continually improve products and as such we reserve the right to alter data, specifications and component parts without prior notice.

IMPORTANT: No liability is accepted for incorrect use of product.

WARRANTY: Guarantee is 12 months from purchase date, proof of which will be required for any claim.

INFORMATION: For a copy of our latest catalogue and promotions call us on 01284 757525 and leave your full name and address, including postcode.

SEALEY

Quality MACHINERY

Sole UK Distributor
Sealey Group,
Bury St. Edmunds, Suffolk.

01284 757500
01284 703534

www.sealey.co.uk
sales@sealey.co.uk