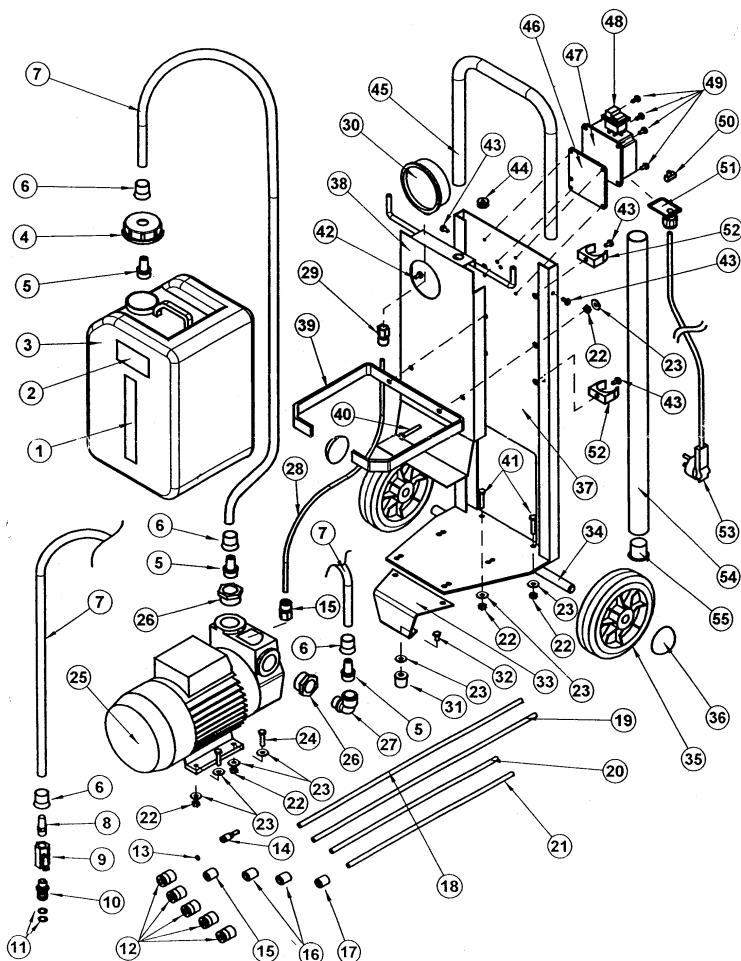


ELECTRIC OIL DRAINER

Model: **AK466D**

Issue No: 1
Date: 290102



Item No	Part No	Description
1	500/7686	NAME PLATE (LEVEL)
2	500/7685	NAME PLATE
3	500/7666	PLASTIC CONTAINER
4	500/9205	PLUG FOR DRUM
5	500/6096	HOSE HOLDER 1/2" X 1/2" + O RING
6	500/8013	ALUMINIUM BUSHING 22 X 24
7	500/8108	SPIRAL HOSE ASPER DIA. 14
8	500/8142	HOSE HOLDER 1/4" X 14
9	500/8141	VALVE 1/4" F/F
10	500/8034	PROBE CONNECTION
11	500/8079	O RING 2050
12	500/8036	PROBE COUPLING
13	500/5491	O RING 2025
14	500/8035	PROBE END, GOLF TYPE
15	500/7809	CONNECTION 1/8" 6X4
16	500/7810	END COUPLING 1/8"G 8x4
17	500/8062	END COUPLING 1/8"G 5x3
18	500/7669	PROBE 6X4X800
19	500/7668	PROBE 8X6X800
20	500/8070	PROBE BRASS DIA. 8X650
21	500/8069	PROBE BRASS DIA. 5X650
22	500/8050	NUT
23	500/8053	WASHER
24	500/8953	SCREW M6x25
25	500/9125	ELECTRIC PUMP
26	500/9126	CONNECTION 1"x1/2"
27	500/9561	MALE/FEMALE ELBOW 1/2"G, GALVAN BRASS
28	500/8084	HOSE D.6
29	500/9128	CONNECTION 1/4" 6x4
30	500/8011	PRESSURE GAUGE
31	500/9127	PUFFER
32	500/8058	SCREW M6x10
33	500/9124	TROLLEY FOOT
34	500/7651	AXLE
35	500/5966	WHEEL (PLASTIC)
36	500/8096	WHEEL BOSS
37	500/7652	TROLLEY BACKBOARD
38	500/7992	TROLLEY FRONT
39	500/7660	BASKET
40	500/8038	SCREW M6x40
41	500/7679	SCREW M6x30
42	500/8305	SCREW M4x10
43	500/8826	SCREW M5x16
44	500/8281	CORE HITCH
45	500/7648	TROLLEY HANDLE
46	500/7713	GASKET
47	500/7716	TERMINAL COVER
48	500/8771	SWITCH
49	500/8304	SCREW UNI 6954 PH/AB 8.8 4.2x9.5
50	500/9204	TERMINAL
51	500/9133	PLATE WITH CORE HITCH
52	500/8097	BRACKET
53	500/7681	CABLE WITH PLUG
54	500/7672	SCABBARD
55	500/9208	SCABBARD PLUG

NOTE: It is our policy to continually improve products and as such we reserve the right to alter data, specifications and component parts without prior notice.

IMPORTANT: No liability is accepted for incorrect use of this equipment.

WARRANTY: Guarantee is 12 months from purchase date, proof of which will be required for any claim.

INFORMATION: For a copy of our latest catalogue and promotions, call us on 01284 757525 and leave your full name and address including your postcode.