

Thank you for purchasing a Sealey product. Manufactured to a high standard this product will, if used according to these instructions and properly maintained, give you years of trouble free performance.



**IMPORTANT: PLEASE READ THESE INSTRUCTIONS CAREFULLY. NOTE THE SAFE OPERATIONAL REQUIREMENTS, WARNINGS & CAUTIONS. USE THE PRODUCT CORRECTLY AND WITH CARE FOR THE PURPOSE FOR WHICH IT IS INTENDED. FAILURE TO DO SO MAY CAUSE DAMAGE OR PERSONAL INJURY, AND WILL INVALIDATE THE WARRANTY. PLEASE KEEP INSTRUCTIONS SAFE FOR FUTURE USE.**

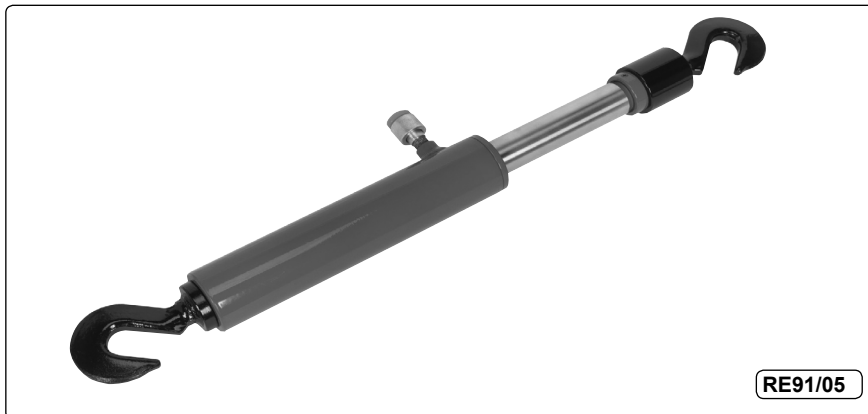
- WARNING!** Only fully trained and qualified persons should use this equipment. These instructions are not a substitute for the user receiving full supervised training by a qualified technician. It is very important the user understands the product applications, limitations, and specific potential hazards.

## 1. SAFETY INSTRUCTIONS

- WARNING!** Ensure health & safety, local authority, and general workshop practice regulations are adhered to when using this equipment.
- ✓ Familiarise yourself with product application and limitations, as well as the specific potential hazards peculiar to this product.
- WARNING!** this ram is not designed for lifting loads. It is intended only as a pulling device and must be used with care.
- WARNING!** Disconnect the puller from the hydraulic pump before attempting servicing or performing any maintenance on the unit.
- ✓ Maintain pull ram in good order. Replace/repair with *genuine parts only*. *Non genuine parts may be dangerous and will invalidate the warranty.*
- ✓ Inspect hooks for signs of wear, fatigue or damage. If suspect remove from service and replace items.
- WARNING!** Ensure you know how much load you are pulling. **Never exceed maximum pulling capacity.**
- ✓ Only use in conjunction with an appropriate Sealey hydraulic pump. Contact your local dealer for details.
- ✓ Fit chains, hooks, clamps or other accessory to load to be pulled. Ensure accessories are equal to, or exceed pullers maximum capacity.
- ✓ Ensure there is positive engagement of the puller hooks to the load or accessory before pulling.
- WARNING!** Keep hands, body and clothing away from puller and accessories in use. Place tarpaulin or heavy cover over chains to minimise any backlash if chains fail. Take any necessary precautions to protect your personal safety whilst using the puller.
- ✓ Maintain correct balance and footing whilst using the puller.
- ✓ Keep non essential persons away from operating area. Be aware of the location of other persons assisting you.
- x **DO NOT** operate puller if any parts are damaged or missing as this may cause failure or possible personal injury.
- WARNING!** **DO NOT** use puller as a lifting device of any type. **DO NOT** use for any purpose other than for which it is designed and **DO NOT** exceed the rated capacity of the pull ram.
- x **DO NOT** pull chains or cables over or around a corner. **DO NOT** wrap chains or cables around any object, hooking back on to itself.
- x **DO NOT** operate the pull ram if you are tired, under the influence of alcohol, drugs or intoxicating medication.

## CARE OF PULLER

When not in use, replace the hydraulic inlet dust cap and clean the puller. The pull ram piston remains in the extended position. To protect the shaft from rusting always grease it, wrap in an oily cloth and store in a safe, dry, childproof location.



## Environmental Protection.

Recycle unwanted materials instead of disposing of them as waste. All tools, accessories and packaging should be sorted, taken to a recycling centre and disposed of in a manner which is compatible with the environment.

**NOTE:** It is our policy to continually improve products and as such we reserve the right to alter data, specifications and component parts without prior notice.

**IMPORTANT:** No liability is accepted for incorrect use of this product.

**WARRANTY:** Guarantee is 12 months from purchase date, proof of which will be required for any claim.

**INFORMATION:** For a copy of our latest catalogue and promotions call us on 01284 757525 and leave your full name and address, including postcode.

