


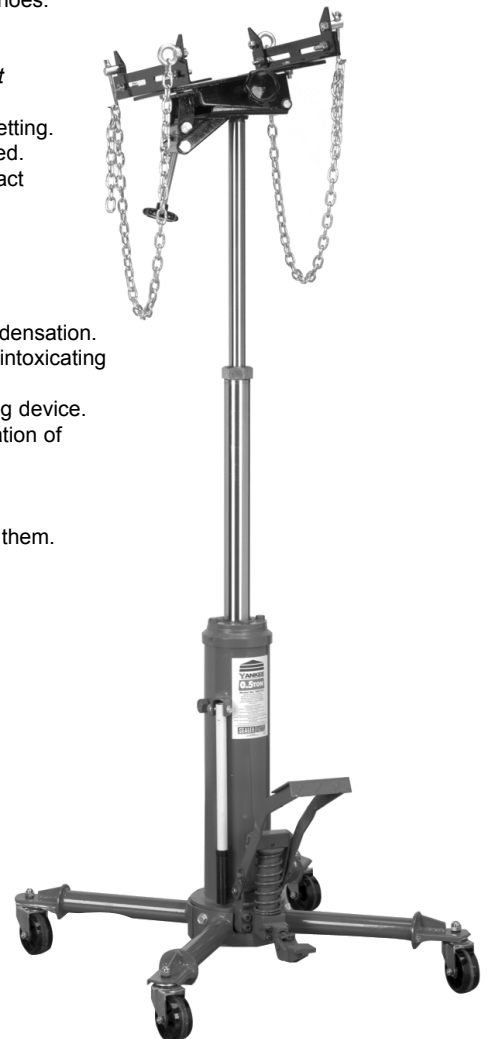
Thank you for purchasing a Sealey product. Manufactured to a high standard this product will, if used according to these instructions and properly maintained, give you years of trouble free performance.



**IMPORTANT: PLEASE READ THESE INSTRUCTIONS CAREFULLY. NOTE THE SAFE OPERATIONAL REQUIREMENTS, WARNINGS & CAUTIONS. USE THE PRODUCT CORRECTLY AND WITH CARE FOR THE PURPOSE FOR WHICH IT IS INTENDED. FAILURE TO DO SO MAY CAUSE DAMAGE AND/OR PERSONAL INJURY AND WILL INVALIDATE THE WARRANTY. PLEASE KEEP INSTRUCTIONS SAFE FOR FUTURE USE**

## 1. SAFETY INSTRUCTIONS

- ❑ **WARNING:** The warnings, cautions and instructions discussed in this instruction manual cannot cover all possible conditions and situations that may occur. It must be understood that common sense and caution are factors which cannot be built into this product, but must be applied by the operator.
- ❑ **WARNING!** Ensure all preliminary checks are carefully carried out before use of jack. Immediately repair or replace damaged parts (use authorised service agent). Ensure use of *genuine parts only*. *Unauthorised parts may be dangerous and will invalidate the warranty.*
- ❑ **WARNING!** Use jack on level and solid ground, preferably concrete. Ensure the floor over which the jack will be transported is swept clean.
- ❑ **DANGER! DO NOT use on tarmacadam, or any other soft surface as jack may sink or topple. Serious injury may result if ignored.**
- ❑ **DANGER! If jack tips or leans STOP WHAT YOUR ARE DOING. MOVE QUICKLY TO A SAFE DISTANCE. DO NOT TRY TO HOLD OR STEADY JACK.**
- ✓ Use jack in a suitable work area. Keep the area clean and tidy and free from unrelated materials. Ensure there is adequate lighting.
- ✓ Before use ensure the gearbox weight and size does not exceed the capacity of the jack.
- ✓ Ensure the vehicle is raised and stabilised at the correct height before attempting to move the jack under the vehicle.
- ✓ Ensure the jack saddle is fully lowered and is clean, dry, and oil free before attempting to transport the jack with or without a load.
- ✓ Keep all unauthorised persons away from the jack during lifting and lowering and when in transit.
- ✓ Maintain correct balance and footing. Ensure the floor is not slippery and wear non slipshoes.
- ✓ Remove ill fitting clothing. Remove ties, watches, rings and other loose jewellery, and contain/tie back long hair.
- ❑ **WARNING!** Ensure that the load is placed level and centrally on the jack saddle and that it is fixed in place before attempting to lift, lower or transport the load.
- ✓ The lowering speed will vary according to the weight of the load and the release valve setting.
- ✓ Diligence is required in ensuring that you continually monitor the operation until completed.
- ✓ Should the jack make any abnormal sounds during use, **STOP IMMEDIATELY** and contact your local service agent.
- x **DO NOT** operate the jack if any parts are damaged or missing.
- x **DO NOT** exceed the rated capacity of the jack.
- x **DO NOT** raise/lower vehicle lifting platform whilst the transmission jack is being used.
- x **DO NOT** transport the jack with/without a load, with the saddle in the raised position.
- x **DO NOT** get the jack wet, or use it in damp or wet locations or areas where there is condensation.
- x **DO NOT** operate the jack when you are tired or under the influence of alcohol, drugs or intoxicating medication.
- x **DO NOT** lift or support vehicles with the jack and do not use the jack as a load sustaining device.
- x **DO NOT** use the jack for any purpose other than removal, transportation and the installation of transmissions.
- x **DO NOT** make any modifications to the jack.
- x **DO NOT** adjust, or tamper with, the safety valve.
- x **DO NOT** remove any labels from the jack. If the labels are damaged or unclear, replace them.
- x **DO NOT** use brake fluid to top up the hydraulic unit.
- ✓ Use Sealey hydraulic oil only.
- ✓ Use a qualified person to to lubricate and maintain the jack.
- ✓ Before storing the jack in a safe area, ensure that all parts are clean and free of grease and oil, especially the saddle.



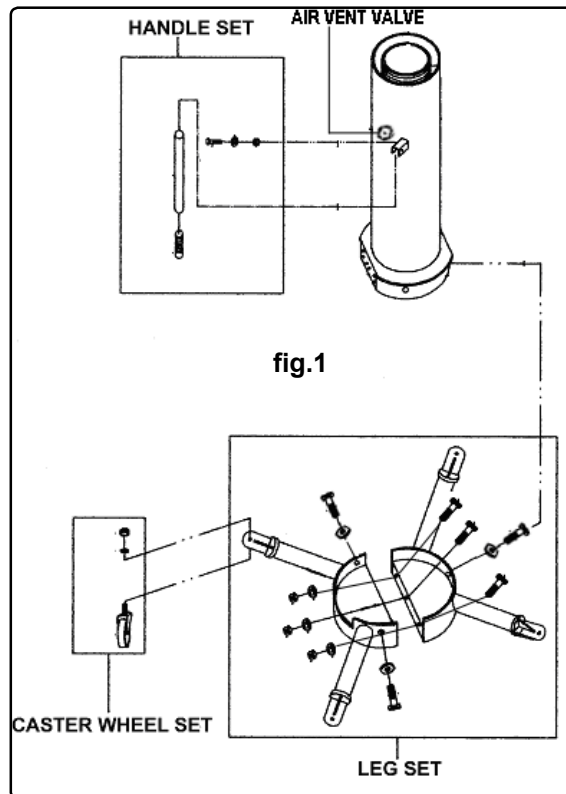
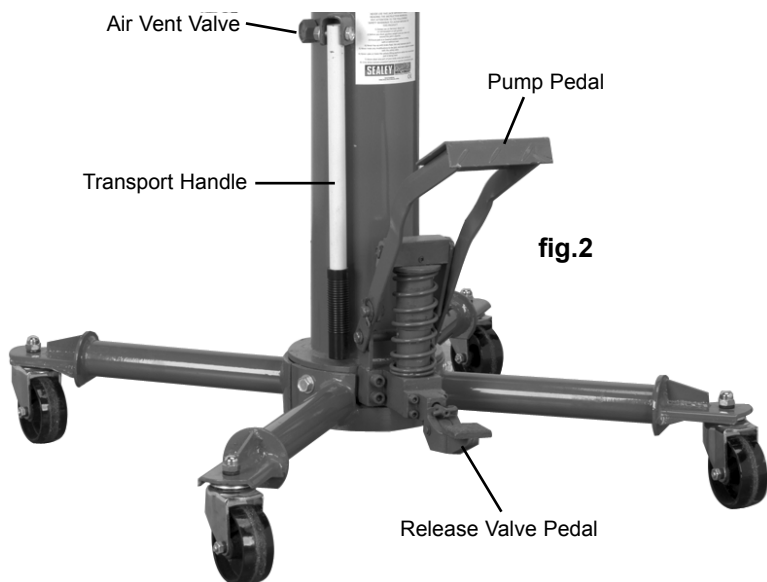
## 2. SPECIFICATION

Capacity	.....800kg
Ram Extensions	.....2
Minimum Saddle Height	.....960mm
Maximum Saddle Height	.....1920mm
Base Size	.....1046 x 1046mm
Fixed/Adjustable Saddle	..... Adjustable
Saddle Tilt - Forward	..... 15°
Saddle Tilt - Backward	..... 40°
Saddle Tilt - Side to Side	..... 15-40°

Telescopic 2-stage model for reduced clearance lifts. Foot pedal operation keeps hands free. Spring-loaded dead man's safety release control reduces the risk of inadvertent lowering. Highly manoeuvrable on castors.

### 3. ASSEMBLY

- 3.1. Assemble 4 x castors as shown in fig.2 using a washer and domed nut on each.
- 3.2. Bolt the two halves of the legs together as fig.1 using bolts, washers and nuts x 3.
- 3.3. Fit the main jack body to the leg platform, align the three bolt holes and secure bolts & washers x 3.



### 4. PRE-USE CHECK LIST

**IMPORTANT:** Before *EACH* use, check jack is in sound working order, use following list to form a habitual pre-check procedure. Check items are not: *damaged, broken, cracked, bent, malfunctioning, distorted, worn, loose, damage to welds, leaking, dirty, noisy or missing.*

- |                        |                            |                             |
|------------------------|----------------------------|-----------------------------|
| 1..... Saddle base     | 4..... All nuts and bolts  | 7..... Foot pump            |
| 2..... Pump piston     | 5..... All seals           | 8..... Swivel caster wheels |
| 3..... Release control | 6..... Jack main structure |                             |

**WARNING! DO NOT use jack if any suspect part is found, or if believed to have been subjected to abnormal load or shock. Immediately remove from service and contact an authorised service agent.**

#### 4.2. Purge the air from the Hydraulic Cylinder.

- 4.2.1. Before using your transmission jack for the first time, remove the Transportation Bolt and Seal from the side of the Reservoir.
- 4.2.2. Replace with Air Vent Valve Assembly with its O-ring seal, (see fig.1 and 2).
- 4.2.3. Using the Pump Pedal, slowly pump the cylinder. You will observe trapped air escaping from the valve in the Air Vent Valve assembly. Continue to pump until all air is purged.

### 5. OPERATING INSTRUCTIONS

**WARNING: The warnings, cautions and instructions discussed in this instruction manual cannot cover all possible conditions and situations that may occur. It must be understood that common sense and caution are factors which cannot be built into this product, but must be applied by the operator.**

- WARNING! Before use, ensure that you read, understand and apply the Safety Instructions in Section 1.**
- WARNING! Ensure you prepare the vehicle correctly before attempting to use the Hydraulic Transmission Jack.**

#### 5.1. POSITIONING THE JACK BENEATH THE LOAD

**NOTE:** Before use, ensure that the transmission weight and size does not exceed the capacity of the jack.

- 5.1.1. Ensure the vehicle from which the gearbox or transmission is to be removed is correctly positioned, raised and locked on an appropriate lift system.
- 5.1.2. Ensure that there are no other persons around, or under, the vehicle.
- 5.1.3. Ensure the saddle is in the lowest position. Use the handle to transport and centrally position the jack beneath the vehicle transmission.
- 5.1.4. Raise the saddle by pumping the foot pedal.
- 5.1.5. When the saddle is just beneath the transmission, re-adjust the alignment if necessary to centralise the saddle.

## 5.2. LOWERING THE LOAD.

- WARNING!** Ensure the load is central and stable on the jack saddle and that it is fixed securely. Before you loosen the mounting bolts, wrap the chains over the top of the transmission, and attach them using the Hook Pins before attempting to lift, lower, or transport it. Tighten the chains by tightening the Wing Nuts on the Hook Pins.
- 5.2.1. SLOWLY press the Release Valve Pedal to **gently** lower saddle as far as possible before attempting to transport the load.
  - WARNING! Speed of lowering is controlled by Release Valve Pedal . The further you depress it the more rapid the jack's descent.**
- 5.2.2. Ensure the jack's descent is slow and controlled to avoid the risk of sudden dropping which would be very dangerous.

## 5.3. TRANSPORTING THE LOAD.

- WARNING! Ensure you read, understand and apply the safety instructions in Section 1.**
- 5.3.1. Ensure the jack saddle is fully lowered and the load is fixed in place before attempting to lift, lower, or transport the load.
- 5.3.2. Transport the load over level and solid ground, preferably concrete, and ensure that the floor is swept clean beforehand.
- 5.3.3. Be diligent in continually monitoring the load in transit.
- 5.3.4. Keep all other personnel at a safe distance.
  - DANGER! DO NOT use on tarmacadam, or any soft surface as jack may sink or topple. Serious injury or death may result.**
  - DANGER! If the jack tips or leans, STOP WHAT YOU ARE DOING AND MOVE QUICKLY TO A SAFE DISTANCE. DO NOT TRY TO HOLD OR STEADY THE JACK. Serious injury or death may result.**

## 5.4. RE-INSTALLING A GEARBOX.

To transport, reposition beneath a vehicle, and raise a load up, reverse the procedures outlined above.

## 6. MAINTENANCE

**IMPORTANT: Only fully qualified personnel should attempt maintenance or repair.**

- 6.1. When the jack is not in use, the saddle must be in the lowest position to minimise ram and piston corrosion.
- 6.2. Keep the jack clean and wipe off any oil or grease. Lubricate all moving parts with acid free oil.
- 6.3. The oil cylinder is a sealed unit and must not be accessed. For service contact your authorised dealer.
- WARNING! Only a good quality Jack oil, such as SEALEY HYDRAULIC JACK OIL must be used. DO NOT use brake fluid.**
- 6.4. Before each use, follow the pre-check list to ensure components are not damaged, broken, cracked, bent, malfunctioning, distorted, worn or loose.
- 6.5. Ensure there is no visible damage to welds. If any suspect item is found, remove the jack from service and take the necessary action to remedy the problem.
- 6.6. **DO NOT** use the jack if you believe it to have been subjected to abnormal load or shock.
- 6.7. Periodically check the pump piston and piston rod for signs of corrosion.
- 6.8. Clean exposed areas with a clean oiled cloth.

**IMPORTANT: NO RESPONSIBILITY IS ACCEPTED FOR INCORRECT USE OF THE JACK.**

**NOTE!** Hydraulic products are only repaired by local service agents. We have service/repair agents in all parts of the UK.

**DO NOT** Return the jack to us. Please telephone 01284 757500 to obtain the address and phone number of your local agent. If the jack is under guarantee, please contact your local dealer.

### Decommissioning

Should the jack eventually become completely unserviceable, draw off the oil into an approved container and dispose of the jack and the oil according to local regulations.

## 7. TROUBLESHOOTING

**IMPORTANT!** Although the following may identify a problem, in most cases the problem must be resolved by your authorised service agent.

PROBLEM	CAUSE	SOLUTION
Jack will not lift	No hydraulic oil, or defective suction valve or delivery valve Release valve is open	Contact authorised service agent. Close release valve.
Jack will only lift halfway	Hydraulic oil low, or excess of hydraulic oil	Contact authorised service agent.
Raised load will not hold	Defective valves, or defective piston packing	Contact authorised service agent.
Poor lifting	Defective plunger packing	Contact authorised service agent.



### Environmental Protection.

Recycle unwanted materials instead of disposing of them as waste. All tools, accessories and packaging should be sorted, taken to a recycle centre and disposed of in a manner which is compatible with the environment.

**NOTE:** It is our policy to continually improve products and as such we reserve the right to alter data, specifications and component parts without prior notice.

**IMPORTANT:** No liability is accepted for incorrect use of this product.

**WARRANTY:** Guarantee is 12 months from purchase date, proof of which will be required for any claim.

**INFORMATION:** For a copy of our latest catalogue and promotions call us on 01284 757525 and leave your full name and address, including postcode.



Sole UK Distributor, Sealey Group,  
Kempson Way, Suffolk Business Park,  
Bury St. Edmunds, Suffolk,  
IP32 7AR



01284 757500



www.sealey.co.uk



01284 703534



sales@sealey.co.uk