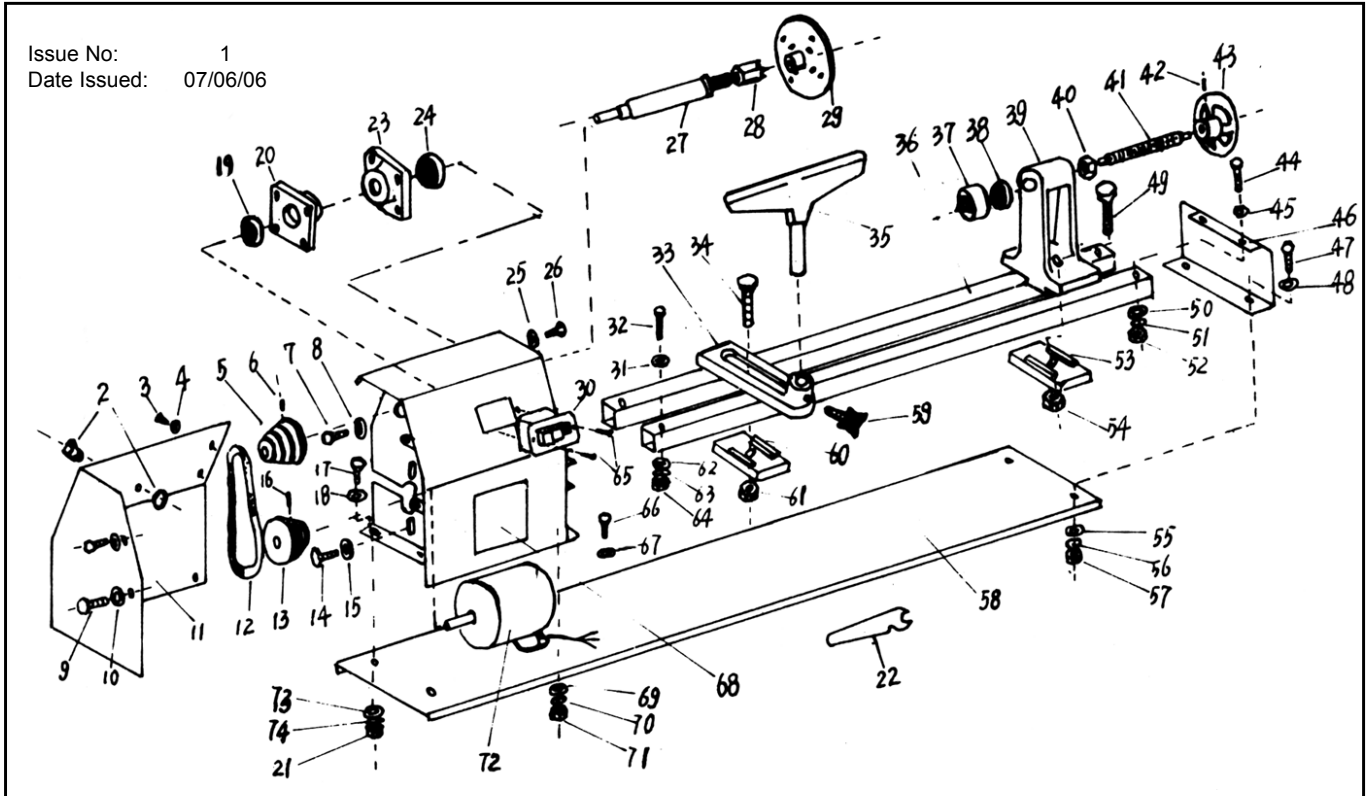


Issue No: 1
 Date Issued: 07/06/06



Item	Part No.	Description
2	SM1308.02	CORD CLAMP
3	SM1308.03	SCREW
4	SM1308.04	WASHER
5	SM1308.05	BELT PULLEY
6	SM1308.06	LOCKING SCREW
7	SM1308.07	BOLT
8	SM1308.08	WASHER
9	SM1308.09	WASHER
10	SM1308.10	WASHER
11	SM1308.11	PROTECTING GUARD
12	SM1308.12	DRIVING BELT
13	SM1308.13	BELT PULLEY
14	SM1308.14	MOTOR SCREW
15	SM1308.15	WASHER
16	SM1308.16	LOCKING SCREW
17	SM1308.17	SCREW
18	SM1308.18	WASHER
19	SM1308.19	BEARING
20	SM1308.20	BEARING BLOCK
21	SM1308.21	NUT
22	SM1308.22	HANDLE
23	SM1308.23	BEARING BLOCK
24	SM1308.24	BEARING
25	SM1308.25	WASHER
26	SM1308.26	SCREW

Item	Part No.	Description
27	SM1308.27	AXIS
28	SM1308.28	LATHE TIP
29	SM1308.29	CHUCK
30	SM1308.30	SWITCH
31	SM1308.31	WASHER
32	SM1308.32	SCREW
33	SM1308.33	JIP
34	SM1308.34	CAP SCREW
35	SM1308.35	CARRIAGE
36	SM1308.36	GUIDE
37	SM1308.37	TIP
38	SM1308.38	BEARING
39	SM1308.39	TAILSTOCK
40	SM1308.40	NUT
41	SM1308.41	SCREW AXIS
42	SM1308.42	LOCKING SCREW
43	SM1308.43	HANDWHEEL
44	SM1308.44	SCREW
45	SM1308.45	WASHER
46	SM1308.46	BRACKET
47	SM1308.47	SCREW
48	SM1308.48	WASHER
49	SM1308.49	CAP SCREW
50	SM1308.50	WASHER
51	SM1308.51	SPRING WASHER

Item	Part No.	Description
52	SM1308.52	NUT
53	SM1308.53	GUIDE PLATE
54	SM1308.54	NUT
55	SM1308.55	WASHER
56	SM1308.56	SPRING WASHER
57	SM1308.57	NUT
58	SM1308.58	LATHE BED
59	SM1308.59	KNOB
60	SM1308.60	GUIDE PLATE
61	SM1308.61	NUT
62	SM1308.62	WASHER
63	SM1308.63	SPRING WASHER
64	SM1308.64	NUT
65	SM1308.65	SCREW FOR SWITCH
66	SM1308.66	SCREW
67	SM1308.67	WASHER
68	SM1308.68	PLATE
69	SM1308.69	WASHER
70	SM1308.70	SPRING WASHER
71	SM1308.71	NUT
72	SM1308.72	MOTOR
73	SM1308.73	WASHER
74	SM1308.74	SPRING WASHER