

Thank you for purchasing a Sealey product. Manufactured to a high standard this product will, if used according to these instructions and properly maintained, give you years of trouble free performance.



IMPORTANT: PLEASE READ THESE INSTRUCTIONS CAREFULLY. NOTE THE SAFE OPERATIONAL REQUIREMENTS, WARNINGS & CAUTIONS. USE THE PRODUCT CORRECTLY AND WITH CARE FOR THE PURPOSE FOR WHICH IT IS INTENDED. FAILURE TO DO SO MAY CAUSE DAMAGE AND/OR PERSONAL INJURY AND WILL INVALIDATE THE WARRANTY. PLEASE KEEP INSTRUCTIONS SAFE FOR FUTURE USE.

1. SAFETY INSTRUCTIONS

1.1. GENERAL SAFETY

- WARNING!** Ensure Health & Safety, local authority, and general workshop practice regulations are adhered to when using this racking unit.
- ✓ Locate racking unit in a suitable work area.
- ✓ Keep the work area clean, uncluttered and ensure there is adequate lighting.
- WARNING!** Use racking unit on level and solid ground, preferably concrete.
- ✓ Keep the racking unit clean and tidy in accordance with good workshop practice.
- ✓ Keep children and unauthorised persons away from the work area.
- x **DO NOT** use the racking unit for any purpose other than that for which it is designed.
- x **DO NOT** use the racking unit outdoors.
- x **DO NOT** place the racking unit in a damp or wet location or an area where there is condensation.
- x **DO NOT** clean the racking unit with any solvents which may damage the surfaces or the protective coating.
- x **DO NOT** move the racking unit when there are items placed on it.
- x **DO NOT** overload the racking unit.

2. INTRODUCTION

Fully painted steel frame with five shelves. Space saving corner unit with 150kg capacity per level giving a maximum capacity of 750kg per rack. Two piece uprights allow use as a single bay rack or split into two separate shelf systems or workstations. Ideal for use in conjunction with Model No. AP7200 racking unit.

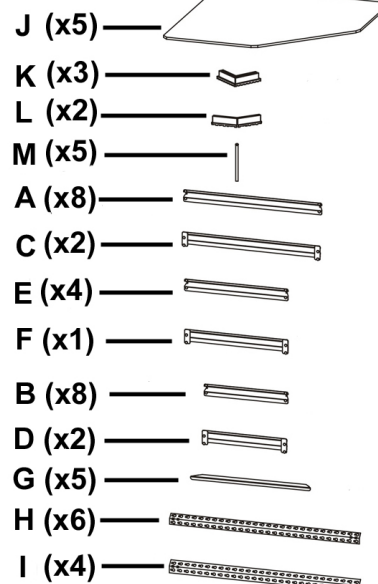
Dimensions:

Overall Width: 730mm, Depth: 730mm, Height: 1830mm.

3. CONTENTS

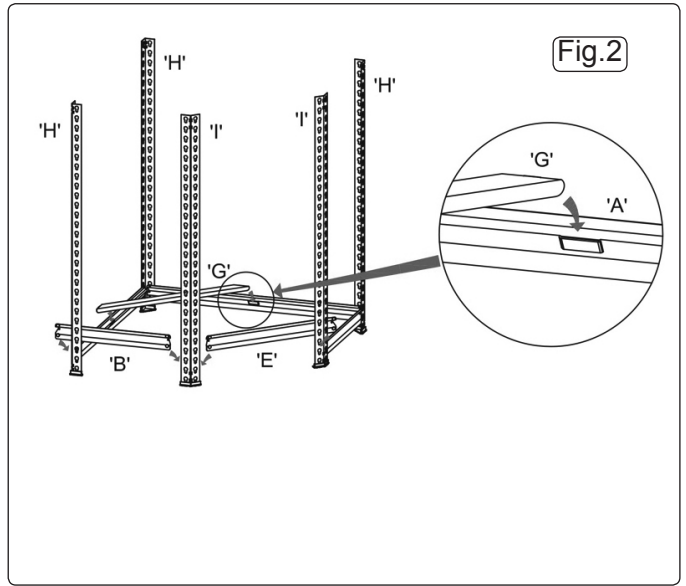
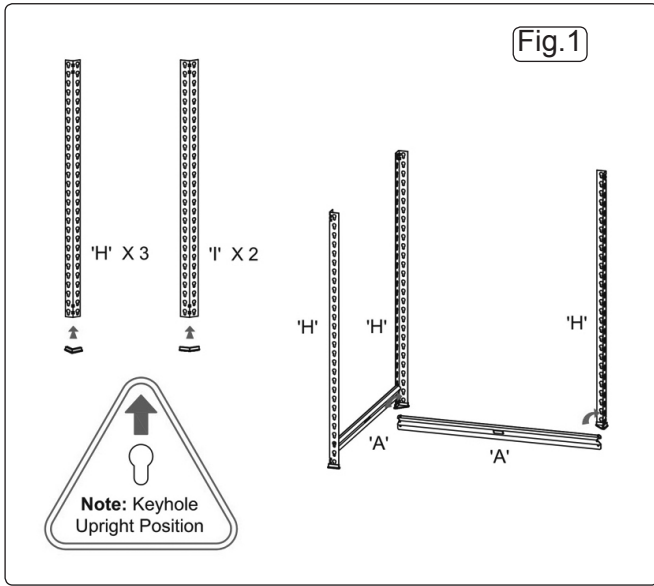
Unpack the contents of the box and check against the parts list. If there are any parts missing, contact your Sealey dealer.

Part	Part Name	No. of
A	Shelf Bracket - Rear	8
B	Shelf Bracket - Side	8
C	Top Shelf Bracket - Rear	2
D	Top Shelf Bracket - Side	2
E	Shelf Bracket - Front	4
F	Top Shelf Bracket - Front	1
G	Shelf Brace	5
H	Leg	6
I	Leg	4
J	Shelf	5
K	Plastic Foot	3
L	Plastic Foot	2
M	Connector	5



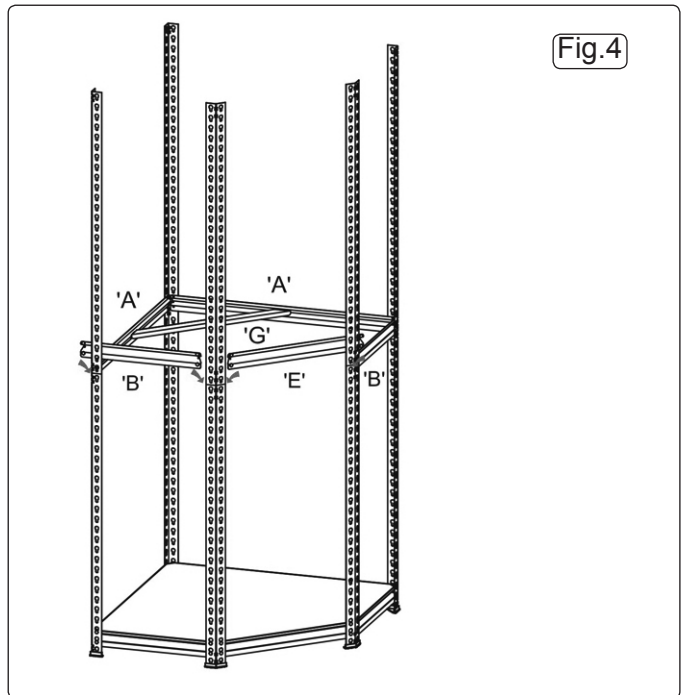
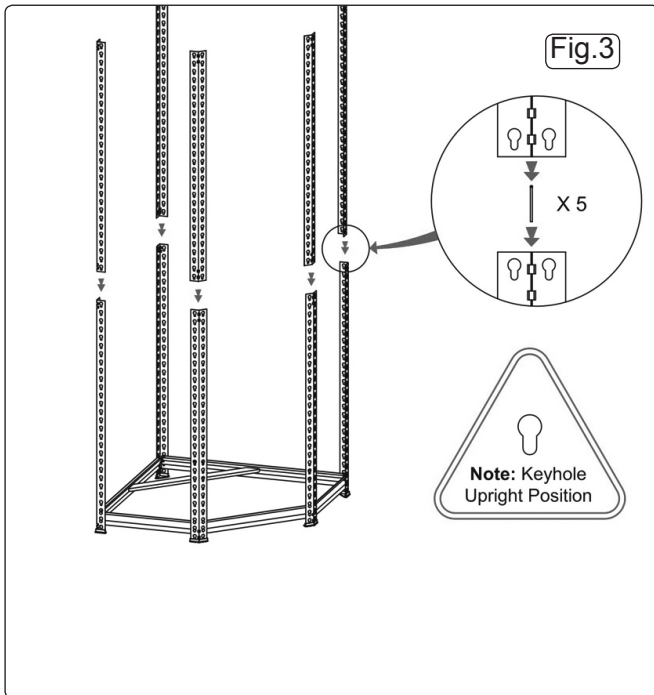
4. ASSEMBLY

- 4.1. Assemble the racking unit following the sequence below, referencing the parts list overleaf. No tools are required although a mallet is useful for tapping the brackets together.



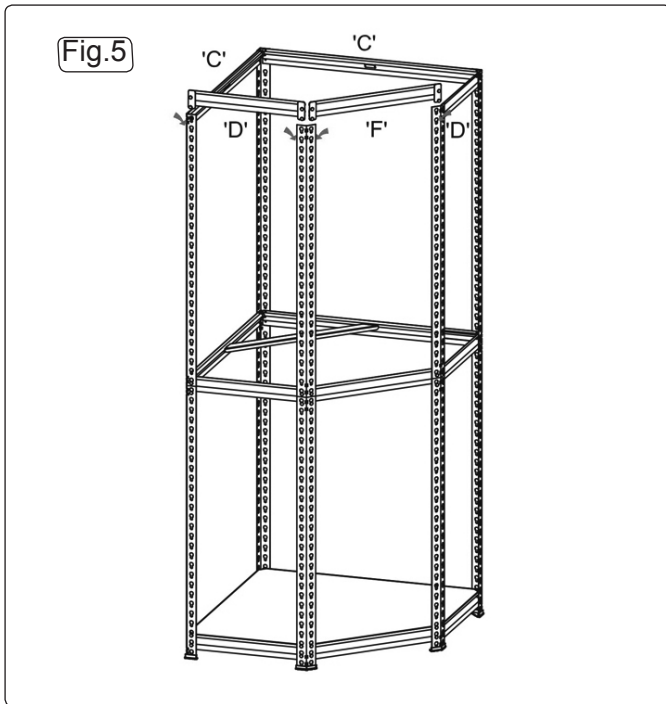
- 4.2. Place foot caps onto the bottom of legs H and I. Place rear shelving brackets A onto the legs. A rubber mallet can be used to lightly tap the brackets into place in the keyholes in the legs (note the upright position of the keyhole).

- 4.3. Fit shelf bracket B for the side brackets at the same height as shelf bracket A, then fit shelf bracket E. Fit brace G as shown above.



- 4.4. Join the lower and upper legs with the connector pins as shown in Fig.3 (note the upright position of the keyhole).

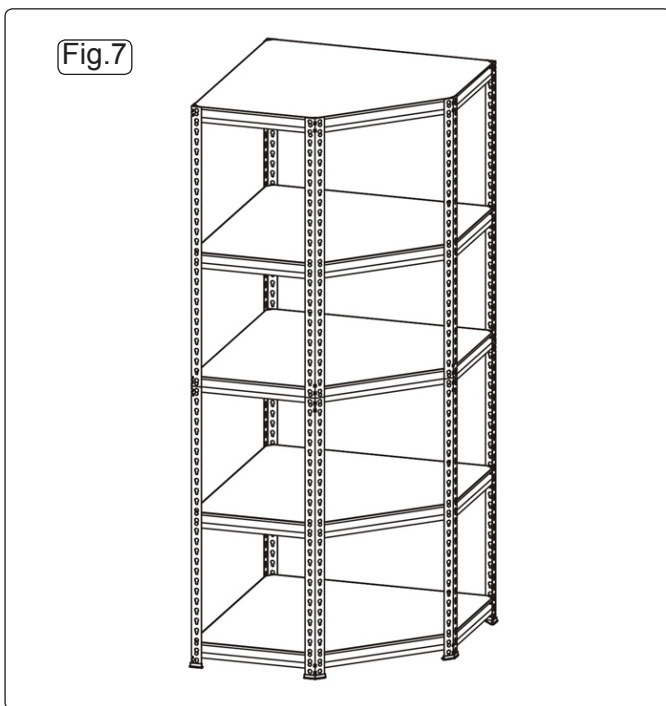
- 4.5. Fix shelf brackets A so that the top rivet sits in the upper legs and the lower rivet sits in the lower legs. Repeat with shelf brackets B and E, followed by brace G, at the same level.



4.6. Fix brackets C, D and F at the very top allowing space for the MDF shelf to sit flush against the legs.



4.7. Apply remaining brackets at desired heights, ensure a brace G is also fixed at each shelf height.



4.8. Place the MDF shelves at each height ensuring that they sit flush on the brackets.

NOTE: DO NOT fit the shelves until racking unit is otherwise complete.

NOTE: It is our policy to continually improve products and as such we reserve the right to alter data, specifications and component parts without prior notice.

IMPORTANT: No liability is accepted for incorrect use of this product.

WARRANTY: Guarantee is 12 months from purchase date, proof of which will be required for any claim.

INFORMATION: For a copy of our latest catalogue and promotions call us on 01284 757525 and leave your full name and address, including postcode.



Sole UK Distributor, Sealey Group,
Kempson Way, Suffolk Business
Park, Bury St. Edmunds, Suffolk,
IP32 7AR

01284 757500

01284 703534



www.sealey.co.uk



sales@sealey.co.uk