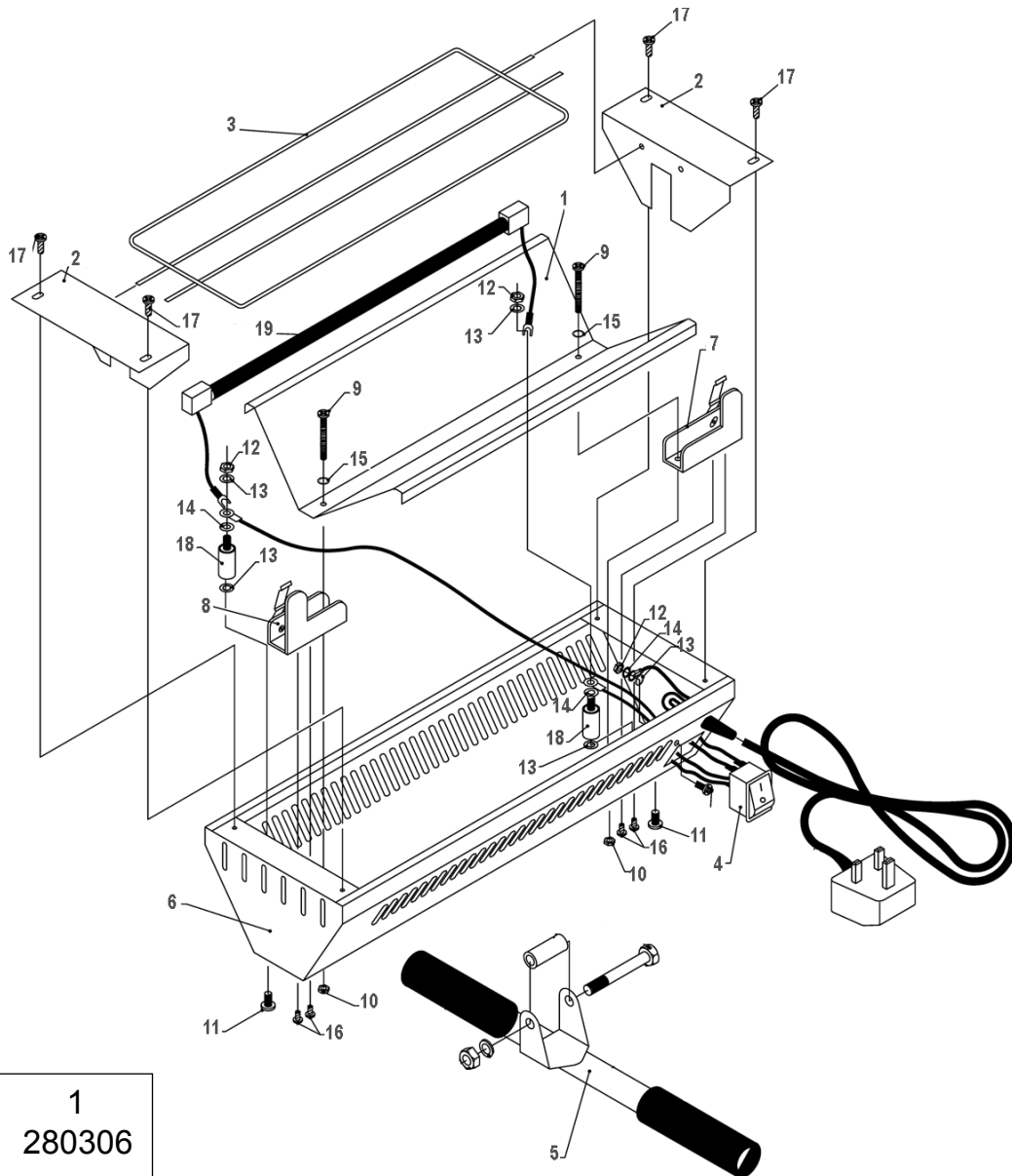


Item	Part No:	Description
1	IWMH1500.MR	MAIN REFLECTOR
2	IR1000.02	END REFLECTOR
3	IR1000.03	GUARD
4	IR1000.04	ON/OFF SWITCH
5	IR1000.05	COMPLETE HANDLE ASS'Y
6	IR1000.06	MAIN FRAME
7	IR1000.07	LAMP HOLDER (LONG)
8	IR1000.08	LAMP HOLDER (SHORT)
9	LP1500.V2-410	LONG BOLTS (PACK OF 10)
10	IWMH1500.401	NUTS (PACK OF 10)
11	IWMH1500.511	SCREWS (PACK OF 10)
12	IWMH1500.501	NUTS (PACK OF 10)
13	IWMH1500.503	STAR WASHERS (PACK OF 10)
14	IWMH4500.502	WASHERS (PACK OF 10)
15	IWMH1500.403	WASHERS (PACK OF 10)
16	LP1500.V2-280	SCREWS (PACK OF 10)
17	LP1500.V2-260	SCREWS (PACK OF 10)
18	LP1500.V2-P	PILLAR
20	INF6424153C	INFRARED QUARTZ TUBE LAMP 1kW 220/240V



ISSUE: 1
 DATE: 280306