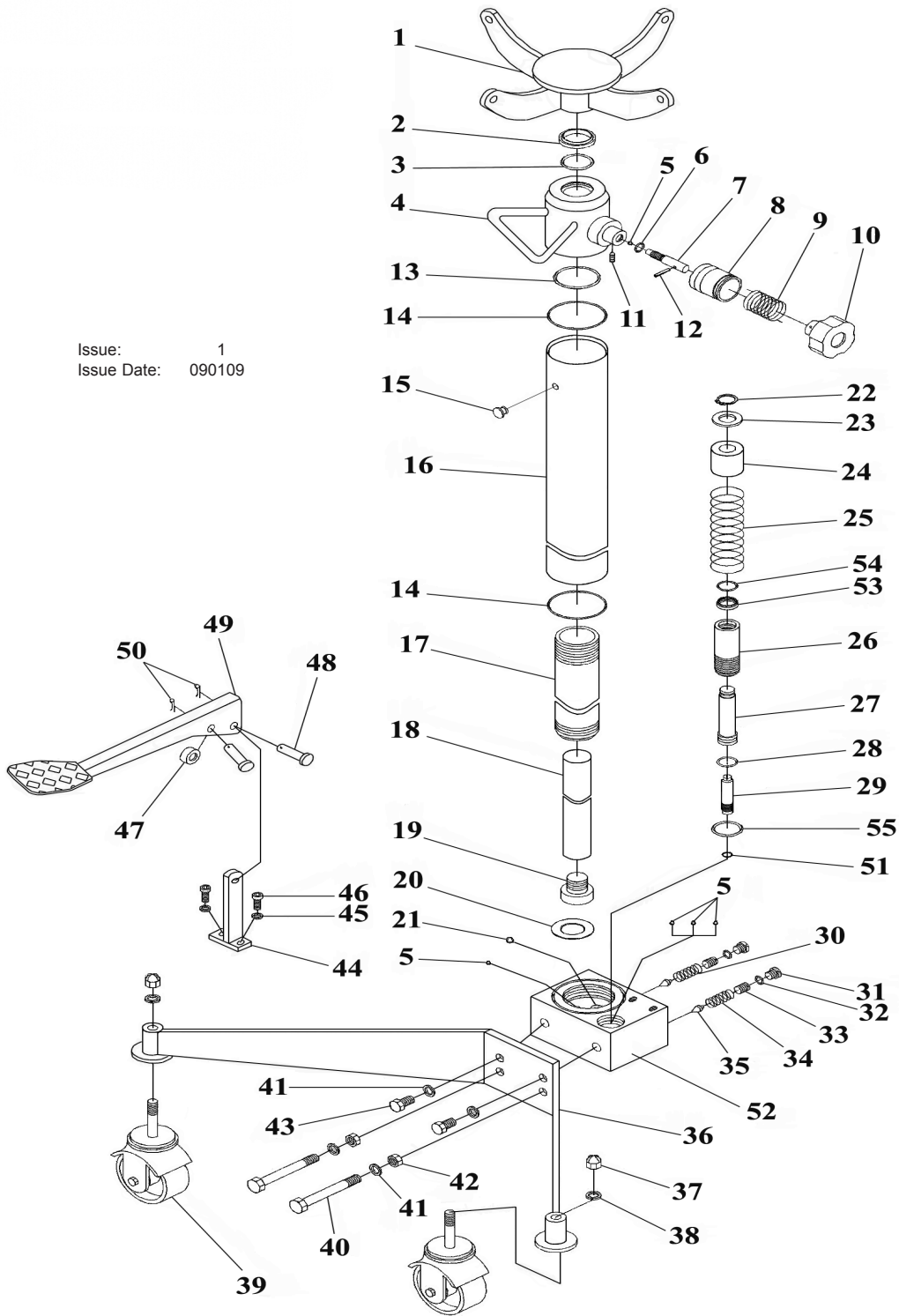


Issue: 1  
 Issue Date: 090109



**NOTE:** It is our policy to continually improve products and as such we reserve the right to alter data, specifications and component parts without prior notice.

**IMPORTANT:** No liability is accepted for incorrect use of product.

**WARRANTY:** Guarantee is 12 months from purchase date, proof of which will be required for any claim.

**INFORMATION:** For a copy of our latest catalogue and promotions call us on 01284 757525 and leave your full name and address, including postcode.



PARTS FOR:  
**PREMIER SUPER ROCKET LIFT TRANSMISSION JACK**  
**MODEL: 300TRQ.V2, 600TRQ.V2, 1000TRQ.V2**

	<u>300TRQ.V2</u>	<u>600TRQ.V2</u>	<u>1000TRQ.V2</u>	
ITEM	PART NO	PART NO	PART NO	DESCRIPTION
1	300TRQ.V2-01	600TRQ.V2-01	1000TRQ.V2-01	FORK
2	300TRQ.V2-02	600TRQ.V2-02	1000TRQ.V2-02	OIL WIPER SEAL
3	300TRQ.V2-03	600TRQ.V2-03	1000TRQ.V2-03	O-RING
4	300TRQ.V2-04	300TRQ.V2-04	300TRQ.V2-04	CYLINDER HEAD ASS'Y
5	300TRQ.V2-05	300TRQ.V2-05	300TRQ.V2-05	STEEL BALL
6	300TRQ.V2-06	300TRQ.V2-06	300TRQ.V2-06	O-RING
7	300TRQ.V2-07	300TRQ.V2-07	300TRQ.V2-07	RELEASE ROD
8	300TRQ.V2-08	300TRQ.V2-08	300TRQ.V2-08	BUSH
9	300TRQ.V2-09	300TRQ.V2-09	300TRQ.V2-09	SPRING
10	300TRQ.V2-10	300TRQ.V2-10	300TRQ.V2-10	RELEASE KNOB
11	300TRQ.V2-11	300TRQ.V2-11	300TRQ.V2-11	SCREW
12	300TRQ.V2-12	300TRQ.V2-12	300TRQ.V2-12	SPRING PIN
13	300TRQ.V2-13	600TRQ.V2-13	1000TRQ.V2-13	O-RING
14	300TRQ.V2-14	600TRQ.V2-14	1000TRQ.V2-14	O-RING
15	300TRQ.V2-15	300TRQ.V2-15	300TRQ.V2-15	OIL FILLER PLUG
16	300TRQ.V2-16	600TRQ.V2-16	1000TRQ.V2-16	OIL RESERVOIR
17	300TRQ.V2-17	600TRQ.V2-17	1000TRQ.V2-17	CYLINDER
18	300TRQ.V2-18	600TRQ.V2-18	1000TRQ.V2-18	PISTON ROD
19	300TRQ.V2-19	300TRQ.V2-19	300TRQ.V2-19	PISTON SCREW
20	300TRQ.V2-20	300TRQ.V2-20	300TRQ.V2-20	STEEL SEAL
21	300TRQ.V2-21	300TRQ.V2-21	300TRQ.V2-21	STEEL BALL
22	300TRQ.V2-22	300TRQ.V2-22	300TRQ.V2-22	RETAINING RING
23	300TRQ.V2-23	300TRQ.V2-23	300TRQ.V2-23	WASHER
24	300TRQ.V2-24	300TRQ.V2-24	300TRQ.V2-24	BUSH
25	300TRQ.V2-25	300TRQ.V2-25	300TRQ.V2-25	SPRING
26	300TRQ.V2-26	300TRQ.V2-26	300TRQ.V2-26	PUMP CYLINDER
27	300TRQ.V2-27	300TRQ.V2-27	300TRQ.V2-27	OUTER PUMP PISTON
28	300TRQ.V2-28	300TRQ.V2-28	300TRQ.V2-28	O-RING
29	300TRQ.V2-29	300TRQ.V2-29	300TRQ.V2-29	INNER PUMP PISTON
30	300TRQ.V2-30	300TRQ.V2-30	300TRQ.V2-30	OVERLOAD SPRING
31	300TRQ.V2-31	300TRQ.V2-31	300TRQ.V2-31	SCREW
32	300TRQ.V2-32	300TRQ.V2-32	300TRQ.V2-32	O-RING
33	300TRQ.V2-33	300TRQ.V2-33	300TRQ.V2-33	SCREW
34	300TRQ.V2-34	300TRQ.V2-34	300TRQ.V2-34	QUICK LIFT SPRING
35	300TRQ.V2-35	300TRQ.V2-35	300TRQ.V2-35	TAPER VALVE
36	300TRQ.V2-36	600TRQ.V2-36	300TRQ.V2-36	LEG
37	300TRQ.V2-37	300TRQ.V2-37	300TRQ.V2-37	NUT M12
38	300TRQ.V2-38	300TRQ.V2-38	300TRQ.V2-38	SPRING WASHER M12
39	300TRQ.V2-39	300TRQ.V2-39	1000TRQ.V2-39	CASTER ASS'Y
40	300TRQ.V2-40	300TRQ.V2-40	300TRQ.V2-40	BOLT
41	300TRQ.V2-41	300TRQ.V2-41	300TRQ.V2-41	SPRING WASHER M10
42	300TRQ.V2-42	300TRQ.V2-42	300TRQ.V2-42	NUT M10
43	300TRQ.V2-43	300TRQ.V2-43	300TRQ.V2-43	BOLT
44	300TRQ.V2-44	300TRQ.V2-44	300TRQ.V2-44	LINKAGE STAND
45	300TRQ.V2-45	300TRQ.V2-45	300TRQ.V2-45	SPRING WASHER M8
46	300TRQ.V2-46	300TRQ.V2-46	300TRQ.V2-46	SCREW
47	300TRQ.V2-47	300TRQ.V2-47	300TRQ.V2-47	PEDAL BEARING
48	300TRQ.V2-48	300TRQ.V2-48	300TRQ.V2-48	PIN
49	300TRQ.V2-49	300TRQ.V2-49	300TRQ.V2-49	PUMP PEDAL
50	300TRQ.V2-50	300TRQ.V2-50	300TRQ.V2-50	R-RING
51	300TRQ.V2-51	300TRQ.V2-51	300TRQ.V2-51	O-RING
52	300TRQ.V2-52	600TRQ.V2-52	1000TRQ.V2-52	PUMP BASE
53	300TRQ.V2-53	300TRQ.V2-53	300TRQ.V2-53	U CUP SEAL
54	300TRQ.V2-54	-	300TRQ.V2-54	O-RING
55	300TRQ.V2-55	-	300TRQ.V2-55	O-RING

**NOTE:** It is our policy to continually improve products and as such we reserve the right to alter data, specifications and component parts without prior notice.

**IMPORTANT:** No liability is accepted for incorrect use of product.

**WARRANTY:** Guarantee is 12 months from purchase date, proof of which will be required for any claim.

**INFORMATION:** For a copy of our latest catalogue and promotions call us on 01284 757525 and leave your full name and address, including postcode.

	<b>Sole UK Distributor</b> <b>Sealey Group,</b> Bury St. Edmunds, Suffolk.	<b>01284 757500</b> <b>01284 703534</b>	<a href="http://www.sealey.co.uk">www.sealey.co.uk</a> <a href="mailto:sales@sealey.co.uk">sales@sealey.co.uk</a>
--	--	--	--