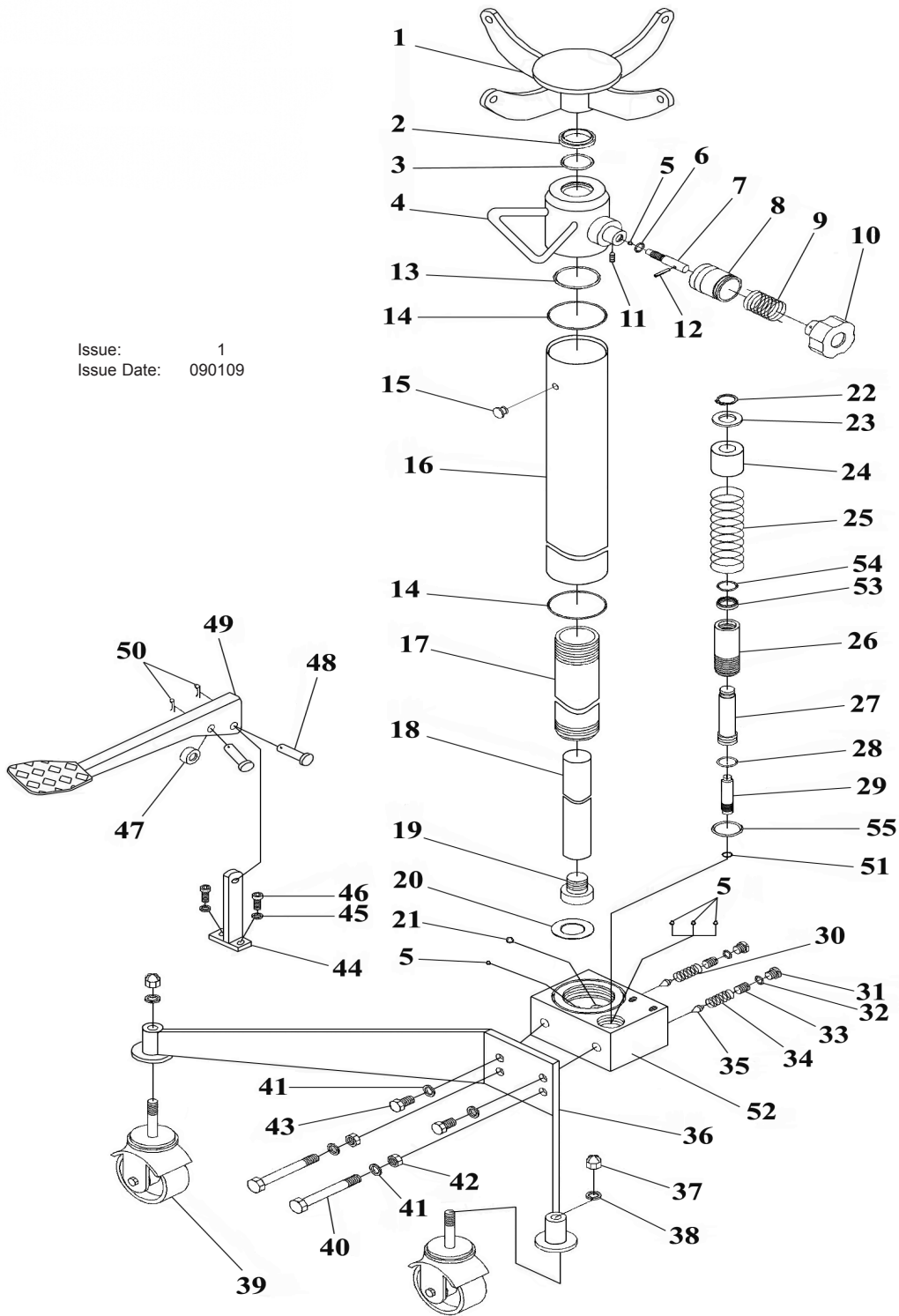


Issue: 1
 Issue Date: 090109



NOTE: It is our policy to continually improve products and as such we reserve the right to alter data, specifications and component parts without prior notice.

IMPORTANT: No liability is accepted for incorrect use of product.

WARRANTY: Guarantee is 12 months from purchase date, proof of which will be required for any claim.

INFORMATION: For a copy of our latest catalogue and promotions call us on 01284 757525 and leave your full name and address, including postcode.



PARTS FOR:
PREMIER SUPER ROCKET LIFT TRANSMISSION JACK
MODEL: 300TRQ.V2, 600TRQ.V2, 1000TRQ.V2

	<u>300TRQ.V2</u>	<u>600TRQ.V2</u>	<u>1000TRQ.V2</u>	
ITEM	PART NO	PART NO	PART NO	DESCRIPTION
1	300TRQ.V2-01	600TRQ.V2-01	1000TRQ.V2-01	FORK
2	300TRQ.V2-02	600TRQ.V2-02	1000TRQ.V2-02	OIL WIPER SEAL
3	300TRQ.V2-03	600TRQ.V2-03	1000TRQ.V2-03	O-RING
4	300TRQ.V2-04	300TRQ.V2-04	300TRQ.V2-04	CYLINDER HEAD ASS'Y
5	300TRQ.V2-05	300TRQ.V2-05	300TRQ.V2-05	STEEL BALL
6	300TRQ.V2-06	300TRQ.V2-06	300TRQ.V2-06	O-RING
7	300TRQ.V2-07	300TRQ.V2-07	300TRQ.V2-07	RELEASE ROD
8	300TRQ.V2-08	300TRQ.V2-08	300TRQ.V2-08	BUSH
9	300TRQ.V2-09	300TRQ.V2-09	300TRQ.V2-09	SPRING
10	300TRQ.V2-10	300TRQ.V2-10	300TRQ.V2-10	RELEASE KNOB
11	300TRQ.V2-11	300TRQ.V2-11	300TRQ.V2-11	SCREW
12	300TRQ.V2-12	300TRQ.V2-12	300TRQ.V2-12	SPRING PIN
13	300TRQ.V2-13	600TRQ.V2-13	1000TRQ.V2-13	O-RING
14	300TRQ.V2-14	600TRQ.V2-14	1000TRQ.V2-14	O-RING
15	300TRQ.V2-15	300TRQ.V2-15	300TRQ.V2-15	OIL FILLER PLUG
16	300TRQ.V2-16	600TRQ.V2-16	1000TRQ.V2-16	OIL RESERVOIR
17	300TRQ.V2-17	600TRQ.V2-17	1000TRQ.V2-17	CYLINDER
18	300TRQ.V2-18	600TRQ.V2-18	1000TRQ.V2-18	PISTON ROD
19	300TRQ.V2-19	300TRQ.V2-19	300TRQ.V2-19	PISTON SCREW
20	300TRQ.V2-20	300TRQ.V2-20	300TRQ.V2-20	STEEL SEAL
21	300TRQ.V2-21	300TRQ.V2-21	300TRQ.V2-21	STEEL BALL
22	300TRQ.V2-22	300TRQ.V2-22	300TRQ.V2-22	RETAINING RING
23	300TRQ.V2-23	300TRQ.V2-23	300TRQ.V2-23	WASHER
24	300TRQ.V2-24	300TRQ.V2-24	300TRQ.V2-24	BUSH
25	300TRQ.V2-25	300TRQ.V2-25	300TRQ.V2-25	SPRING
26	300TRQ.V2-26	300TRQ.V2-26	300TRQ.V2-26	PUMP CYLINDER
27	300TRQ.V2-27	300TRQ.V2-27	300TRQ.V2-27	OUTER PUMP PISTON
28	300TRQ.V2-28	300TRQ.V2-28	300TRQ.V2-28	O-RING
29	300TRQ.V2-29	300TRQ.V2-29	300TRQ.V2-29	INNER PUMP PISTON
30	300TRQ.V2-30	300TRQ.V2-30	300TRQ.V2-30	OVERLOAD SPRING
31	300TRQ.V2-31	300TRQ.V2-31	300TRQ.V2-31	SCREW
32	300TRQ.V2-32	300TRQ.V2-32	300TRQ.V2-32	O-RING
33	300TRQ.V2-33	300TRQ.V2-33	300TRQ.V2-33	SCREW
34	300TRQ.V2-34	300TRQ.V2-34	300TRQ.V2-34	QUICK LIFT SPRING
35	300TRQ.V2-35	300TRQ.V2-35	300TRQ.V2-35	TAPER VALVE
36	300TRQ.V2-36	600TRQ.V2-36	300TRQ.V2-36	LEG
37	300TRQ.V2-37	300TRQ.V2-37	300TRQ.V2-37	NUT M12
38	300TRQ.V2-38	300TRQ.V2-38	300TRQ.V2-38	SPRING WASHER M12
39	300TRQ.V2-39	300TRQ.V2-39	1000TRQ.V2-39	CASTER ASS'Y
40	300TRQ.V2-40	300TRQ.V2-40	300TRQ.V2-40	BOLT
41	300TRQ.V2-41	300TRQ.V2-41	300TRQ.V2-41	SPRING WASHER M10
42	300TRQ.V2-42	300TRQ.V2-42	300TRQ.V2-42	NUT M10
43	300TRQ.V2-43	300TRQ.V2-43	300TRQ.V2-43	BOLT
44	300TRQ.V2-44	300TRQ.V2-44	300TRQ.V2-44	LINKAGE STAND
45	300TRQ.V2-45	300TRQ.V2-45	300TRQ.V2-45	SPRING WASHER M8
46	300TRQ.V2-46	300TRQ.V2-46	300TRQ.V2-46	SCREW
47	300TRQ.V2-47	300TRQ.V2-47	300TRQ.V2-47	PEDAL BEARING
48	300TRQ.V2-48	300TRQ.V2-48	300TRQ.V2-48	PIN
49	300TRQ.V2-49	300TRQ.V2-49	300TRQ.V2-49	PUMP PEDAL
50	300TRQ.V2-50	300TRQ.V2-50	300TRQ.V2-50	R-RING
51	300TRQ.V2-51	300TRQ.V2-51	300TRQ.V2-51	O-RING
52	300TRQ.V2-52	600TRQ.V2-52	1000TRQ.V2-52	PUMP BASE
53	300TRQ.V2-53	300TRQ.V2-53	300TRQ.V2-53	U CUP SEAL
54	300TRQ.V2-54	-	300TRQ.V2-54	O-RING
55	300TRQ.V2-55	-	300TRQ.V2-55	O-RING

NOTE: It is our policy to continually improve products and as such we reserve the right to alter data, specifications and component parts without prior notice.

IMPORTANT: No liability is accepted for incorrect use of product.

WARRANTY: Guarantee is 12 months from purchase date, proof of which will be required for any claim.

INFORMATION: For a copy of our latest catalogue and promotions call us on 01284 757525 and leave your full name and address, including postcode.

	Sole UK Distributor Sealey Group, Bury St. Edmunds, Suffolk.	01284 757500 01284 703534	www.sealey.co.uk sales@sealey.co.uk
--	--	--	--