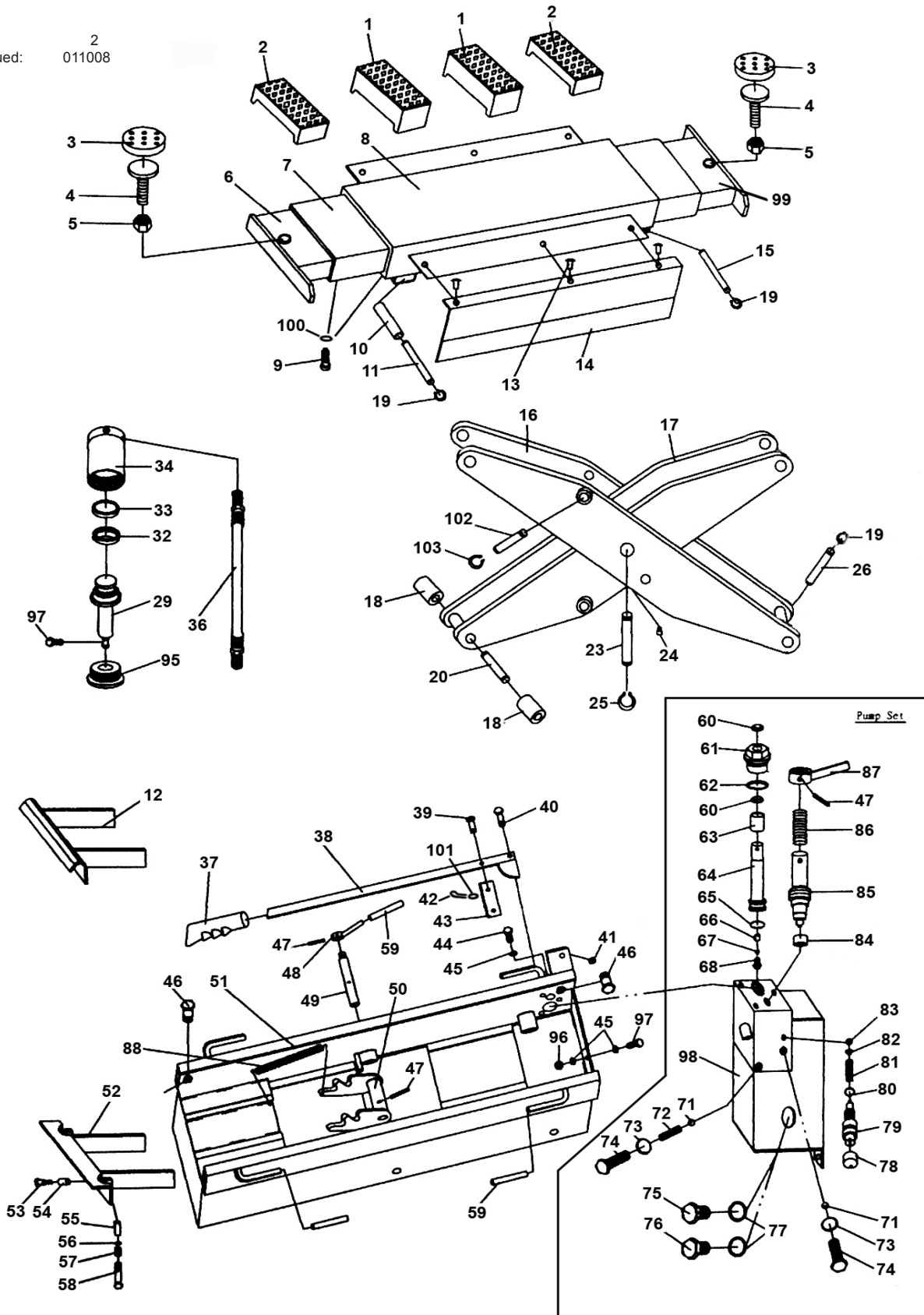


Issue: 2
 Date Issued: 011008



NOTE: It is our policy to continually improve products and as such we reserve the right to alter data, specifications and component parts without prior notice.

IMPORTANT: No liability is accepted for incorrect use of product.

WARRANTY: Guarantee is 12 months from purchase date, proof of which will be required for any claim.

INFORMATION: For a copy of our latest catalogue and promotions call us on 01284 757525 and leave your full name and address, including postcode.

ITEM	PART NO	DESCRIPTION	ITEM	PART NO	DESCRIPTION
1	SJBEX300.01	ALUMINIUM SADDLE 1	54	SJBEX300.54	BUSHING
2	SJBEX300.02	ALUMINIUM SADDLE 2	55	SJBEX300.55	BLOCK
3	SJBEX300.03	RUBBER SADDLE COVER	56	SJBEX300.56	SPRING WASHER
4	SJBEX300.04	THREADED SADDLE	57	SJBEX300.57	SPRING
5	SJBEX300.05	NUT	58	SJBEX300.58	BOLT
6	SJBEX300.06	ADJUSTABLE BEAM	59	SJBEX300.59	HANDLE GRIP
7	SJBEX300.07	ADJUSTABLE BEAM	60	SJBEX300.60	U-RING
8	SJBEX300.08	LIFTING BEAM	61	SJBEX300.61	PUMP HOUSING
9	SJBEX300.09	SCREW	62	SJBEX300.62	SEAL WASHER
10	SJBEX300.10	SHAFT BUSHING	63	SJBEX300.63	COPPER BUSHING
11	SJBEX300.11	SHAFT	64	SJBEX300.64A	PISTON
12	SJBEX300.12	HOOK END MOUNTING BRACKET	65	SJBEX300.65	O-RING
13	SJBEX300.13	RIVET	66	SJBEX300.66	LINER
14	SJBEX300.14	PROTECTIVE PLATE	67	SJBEX300.67	STEEL BALL (4.9mm)
15	SJBEX300.15	SHAFT	68	SJBEX300.68	SCREW
16	SJBEX300.16	SCISSORS ARM, OUTER	71	SJBEX300.71	STEEL BALL
17	SJBEX300.17	SCISSORS ARM, INNER	72	SJBEX300.72	SPRING
18	SJBEX300.18	SHAFT BUSHING	73	SJBEX300.73	SEAL WASHER
19	SJBEX300.19	RETAINING RING	74	SJBEX300.74	BOLT
20	SJBEX300.20	SHAFT	75	SJBEX300.75	AIR VENT VALVE
23	SJBEX300.23	SHAFT	76	SJBEX300.76	SCREW
24	SJBEX300.24	OIL INLET	77	SJBEX300.77	O-RING
25	SJBEX300.25	RETAINING RING	78	SJBEX300.78	COVER
26	SJBEX300.26	SHAFT	79	SJBEX300.79	ADJUSTMENT SCREW
29	SJBEX300.29	PISTON	80	SJBEX300.80	O-RING
32	SJBEX300.32	RETAINING RING	81	SJBEX300.81	SPRING
33	SJBEX300.33	U-RING	82	SJBEX300.82	SPRING GUIDE
34	SJBEX300.34	CYLINDER	83	SJBEX300.83	STEEL BALL (4.7mm)
36	SJBEX300.36	OIL PIPE	84	SJBEX300.84	SEAL WASHER
37	SJBEX300.37	HANDLE GRIP	85	SJBEX300.85A	RELEASE ROD
38	SJBEX300.38A	HANDLE	86	SJBEX300.86	SPRING
39	SJBEX300.39A	SHAFT PIN	87	SJBEX300.87A	RELEASE KNOB
40	SJBEX300.40A	BOLT	88	SJBEX300.88	SPRING
41	SJBEX300.41	NUT	95	SJBEX300.95	CYLINDER CAP
42	SJBEX300.42	SPLIT PIN	96	SJBEX300.96	NUT M8
43	SJBEX300.43A	BLOCK	97	SJBEX300.97	BOLT 8*25
44	SJBEX300.44	BOLT	98	SJBEX300.98	PUMP BLOCK
45	SJBEX300.45	WASHER	99	SJBEX300.99	ADJUSTABLE BEAM
46	SJBEX300.46	BOLT	100	SJBEX300.100	SPRING WASHER
47	SJBEX300.47	SPRING PIN	101	SJBEX300.101	WASHER
48	SJBEX300.48	HANDLE KNOB	102	SJBEX300.102	SHAFT
49	SJBEX300.49	SHAFT	103	SJBEX300.103	RETAINING RING
50	SJBEX300.50	SAFETY LOCK	104	SJBEX300.104	COMPLETE PUMP
51	SJBEX300.51	CHASSIS			(inc: 47,60,61,62,63,64,65,66,67,68
52	SJBEX300.52	FLAT END MOUNTING BRACKET			71,72,73,74,75,76,77,78,79,80,81,82,
53	SJBEX300.53	SCREW			83,84,85,86,87 & 98)

NOTE: It is our policy to continually improve products and as such we reserve the right to alter data, specifications and component parts without prior notice.

IMPORTANT: No liability is accepted for incorrect use of product.

WARRANTY: Guarantee is 12 months from purchase date, proof of which will be required for any claim.

INFORMATION: For a copy of our latest catalogue and promotions call us on 01284 757525 and leave your full name and address, including postcode.