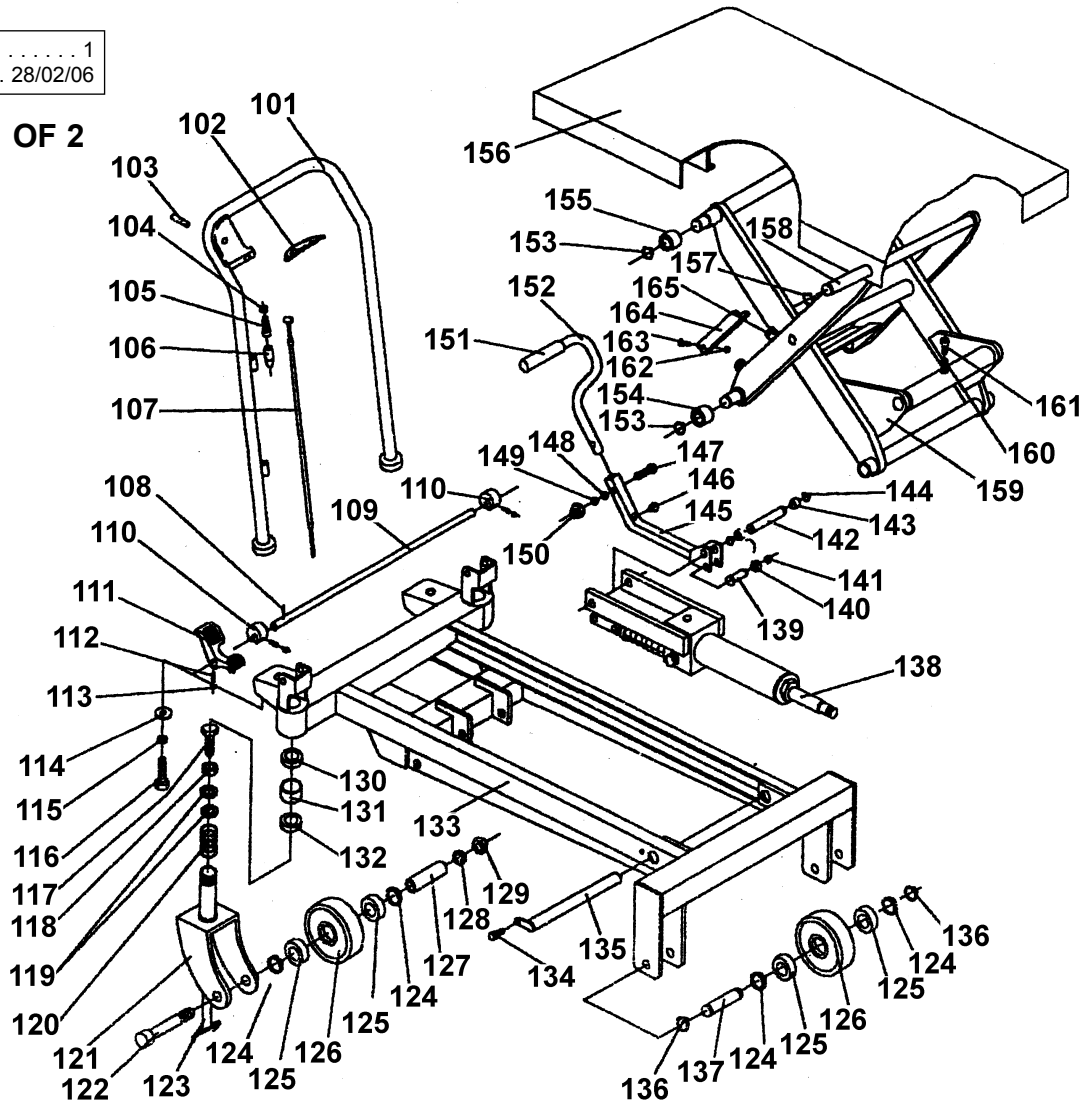


Issue No.: . . . . . 1  
Issue Date: . . 28/02/06

PAGE 1 OF 2

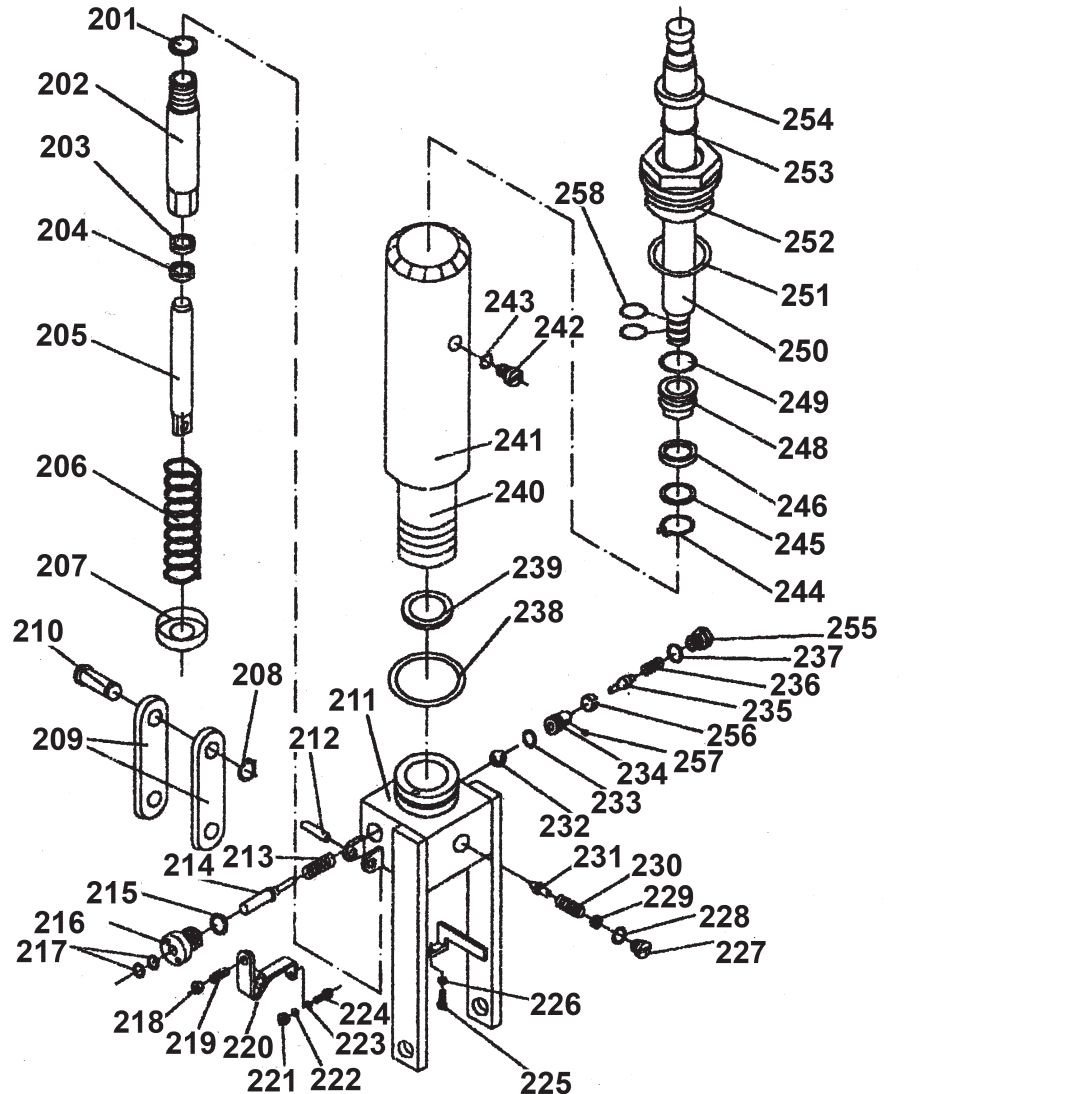


Item	Model	Description	Item	Model	Description	Item	Model	Description
101	HPT1000.101	HANDLE GRIP	123	HPT1000.123	BRAKE	145	HPT1000.145	CONNECTING ROD
102	HPT1000.102	CONTROL HANDLE	124	HPT1000.124	WASHER	146	HPT1000.146	CUSHION
103	HPT1000.103	ELASTIC PIN	125	HPT1000.125	BEARING	147	HPT1000.147	BOLT
104	HPT1000.104	NUT	126	HPT1000.126	WHEEL	148	HPT1000.148	WASHER
105	HPT1000.105	BOLT c/w HOLE	127	HPT1000.127	AXLE	149	HPT1000.149	WASHER, ELASTIC
106	HPT1000.106	JACKET	128	HPT1000.128	WASHER, ELASTIC	150	HPT1000.150	NUT
107	HPT1000.107	PULL ROD	129	HPT1000.129	NUT	151	HPT1000.151	PROTECTING COVER
108	HPT1000.108	ELASTIC PIN	130	HPT1000.130	BEARING	152	HPT1000.152	PEDAL BAR
109	HPT1000.109	SHAFT	131	HPT1000.131	WASHER	153	HPT1000.153	RETAINING RING
110	HPT1000.110	CAM	132	HPT1000.132	BEARING	154	HPT1000.154	ROLLER
111	HPT1000.111	PEDAL	133	HPT1000.133	MAIN FRAME	155	HPT1000.155	ROLLER
112	HPT1000.112	SCREW	134	HPT1000.134	BOLT	156	HPT1000.156	TABLE
113	HPT1000.113	NUT	135	HPT1000.135	SHAFT	157	HPT1000.157	RETAINING RING
114	HPT1000.114	WASHER, LARGE	136	HPT1000.136	RETAINING RING	158	HPT1000.158	SHAFT
115	HPT1000.115	WASHER, ELASTIC	137	HPT1000.137	WHEEL AXLE	159	HPT1000.159	FORK ARM
116	HPT1000.116	BOLT	138	HPT1000.138	PUMP UNIT	160	HPT1000.160	WASHER, ELASTIC
117	HPT1000.117	BOLT	139	HPT1000.139	PIN	161	HPT1000.161	SCREW
118	HPT1000.118	NUT	140	HPT1000.140	ROLLER	162	HPT1000.162	SCREW
119	HPT1000.119	WASHER	141	HPT1000.141	RETAINING RING	163	HPT1000.163	NUT
120	HPT1000.120	SPRING	142	HPT1000.142	PIN	164	HPT1000.164	SUPPORT PLANK
121	HPT1000.121	WHEEL, SEAT	143	HPT1000.143	WASHER	165	HPT1000.165	ELASTIC PIN
122	HPT1000.122	BOLT	144	HPT1000.144	RETAINING RING			

**NOTE:** It is our policy to continually improve products and as such we reserve the right to alter data, specifications and component parts without prior notice.

Issue No.: . . . . . 1  
Issue Date: . . . 28/02/06

PAGE 2 OF 2



Item	Model	Description	Item	Model	Description	Item	Model	Description
201	HPT1000.201	WASHER, SEAL	222	HPT1000.222	WASHER, ELASTIC	241	HPT1000.241	HOUSING
202	HPT1000.202	PUMP CYLINDER	223	HPT1000.223	WASHER	242	HPT1000.242	BOLT
203	HPT1000.203	DUST RING	224	HPT1000.224	BOLT	243	HPT1000.243	WASHER, SEAL
204	HPT1000.204	Y-SEAL	225	HPT1000.225	BOLT	244	HPT1000.244	RETAINING RING
205	HPT1000.205	PUMP PISTON	226	HPT1000.226	NUT	245	HPT1000.245	WASHER
206	HPT1000.206	SPRING	227	HPT1000.227	PLUG	246	HPT1000.246	O-RING
207	HPT1000.207	SPRING CAP	228	HPT1000.228	O-RING	247	HPT1000.247	CUP PACKING
208	HPT1000.208	RETAINING RING	229	HPT1000.229	BOLT, ADJUSTING	248	HPT1000.248	PISTON
209	HPT1000.209	JOINT PLATE	230	HPT1000.230	SPRING	249	HPT1000.249	O-RING
210	HPT1000.210	PIN	231	HPT1000.231	SPINDLE, SAFETY VALVE	250	HPT1000.250	PISTON ROD
211	HPT1000.211	PUMP BODY	232	HPT1000.232	STEEL BALL	251	HPT1000.251	WASHER, SEAL
212	HPT1000.212	PIN, ELASTIC	233	HPT1000.233	PUMP VALVE SEAT	252	HPT1000.252	CYLINDER CAP
213	HPT1000.213	SPRING	234	HPT1000.234	SPINDLE, PUMP VALVE	253	HPT1000.253	O-RING
214	HPT1000.214	PIN, STRIKE	235	HPT1000.235	SPRING	254	HPT1000.254	DUST RING
215	HPT1000.215	WASHER, SEAL	236	HPT1000.236	WASHER, SEAL	255	HPT1000.255	PLUG
216	HPT1000.216	SLEEVE, AXLE	237	HPT1000.237	PLUG	256	HPT1000.256	LIQUID THROTTLE SHEATH
217	HPT1000.217	O-RING	238	HPT1000.238	O-RING	257	HPT1000.257	SCREW
218	HPT1000.218	NUT	239	HPT1000.239	WASHER, SEAL	258	HPT1000.258	O-RING
219	HPT1000.219	SCREW	240	HPT1000.240	CYLINDER			
220	HPT1000.220	LEVER PLATE						
221	HPT1000.221	NUT						

**NOTE:** It is our policy to continually improve products and as such we reserve the right to alter data, specifications and component parts without prior notice.