

**DRAPER**<sup>®</sup>

# 2 Tier Tool Trolley with 2 Drawers

Stock No.07635

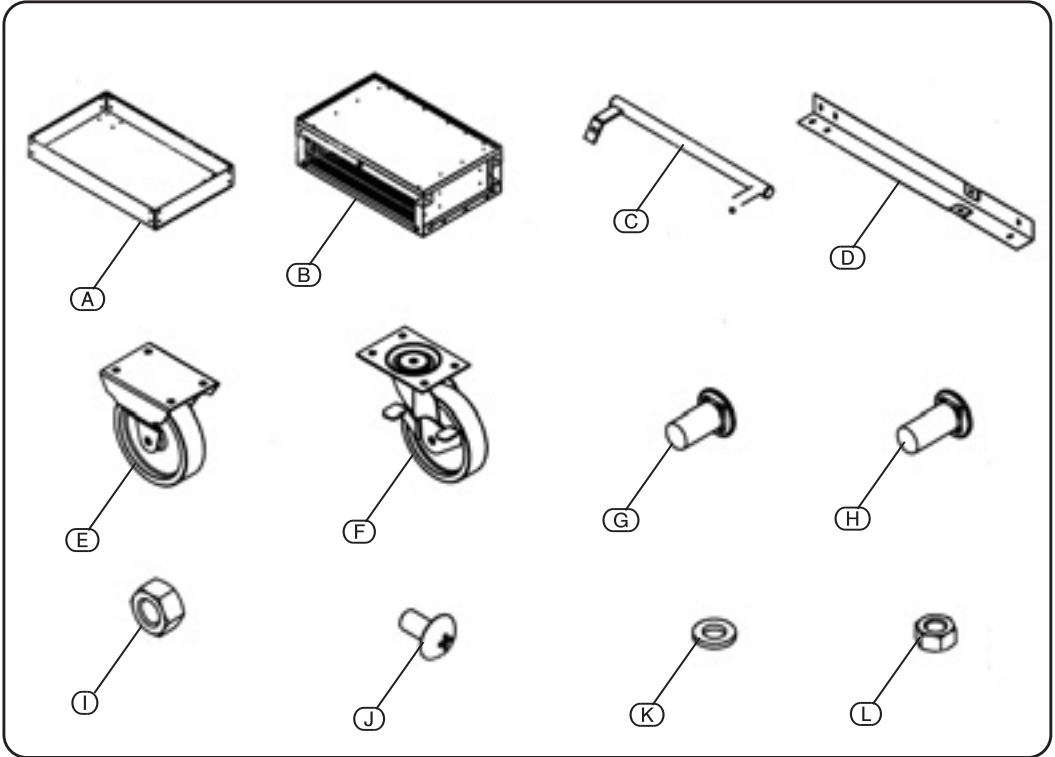
Part No.TT2DB

**INSTRUCTIONS****09/2011****DRAPER**<sup>®</sup>

## SAFETY INSTRUCTIONS

- **WEAR SAFETY GLASSES AND GLOVES** when removing strapping and packaging materials. Straps can snap when removed causing personal injury.
- **WEAR SAFETY GLASSES** when replacing or repositioning ball bearing drawer slides.
- **DO NOT** pull this product, only push the product to prevent personal injury.
- Swivel castor and push bar must be placed on same side of the product.
- **USE THE BRAKE** when this product is not being moved. The brake will prevent accidental rolling which may cause damage or personal injury.
- **DO NOT** open more than one drawer at a time as this may cause the product to tip.
- **DO NOT** alter this product by welding attachment or adding electrical equipment. Do not mount this product on a moving object or vehicle.
- **DO NOT** tow this product with moving equipment or vehicles as this may cause product to tip.
- **DO NOT** step in drawers or on top of unit as this may cause the product to tip.
- Take caution when closing the cover and remove hands before cover is closed completely.
- Maximum storage compartment capacity should not exceed 45kg (100lb).
- Maximum drawer weight capacity should not exceed 22kg (50lb).
- Maximum product weight (including contents) should not exceed 135kg (300lb).
- To lock a chest, close drawers before closing lid, making sure all drawers are firmly closed to ensure proper function of locking bars.
- **DO NOT** use the product on uneven surfaces or inclines as this may cause the product to tip or become unstable resulting in possible personal injury or product damage.

Carefully unpack and spread out all parts in a large uncluttered area. Familiarise yourself with all parts and compare them with the drawing below to make sure none are missing. Read all assembly instructions before beginning.



- (A) Bottom shelf x 1.
- (B) Upper shelf x 1.
- (C) Push bar x 1.
- (D) Corner frame x 4.

- (E) Rigid castors x 2.
- (F) Swivel castors x 2.
- (G) Bolts x 30 + 2.
- (H) Bolts x 2.

- (I) Hex nuts x 32 + 2.
- (J) Bolts for castors x 16 + 1.
- (K) Washers for castors x 16 + 1.
- (L) Hex nuts for castors x 16 + 1.

– **UNPACKING:** After removing the packing material, make sure the product is in perfect condition and that there are no visible damaged parts. If in doubt, do not use the product and contact the dealer from whom it was purchased.

The packaging materials (plastic bags, polystyrene, etc.), must be disposed of in an appropriate refuse collection container. These materials must not be left within the reach of children as they are potential sources of danger.

– **TOOLS REQUIRED:**

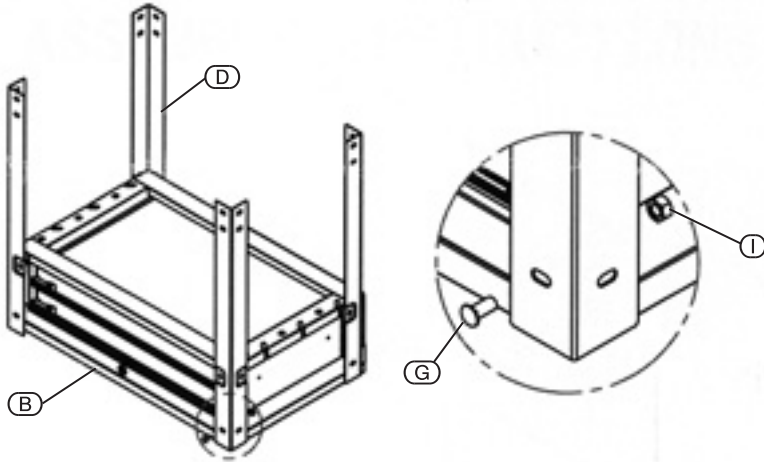
- No.2 and No.3 cross slot screwdrivers.
- 13mm wrench or socket for castor nuts and corner frame nuts.

During assembly do not tighten bolts until all components are aligned properly, then tighten fully.

– **ATTACHING THE CORNER FRAMES TO THE BOTTOM SHELF (Fig. 1):**

Attach each of the four corner frames (D) to the upper shelf unit (B) using bolts (G) and hex nuts (I).

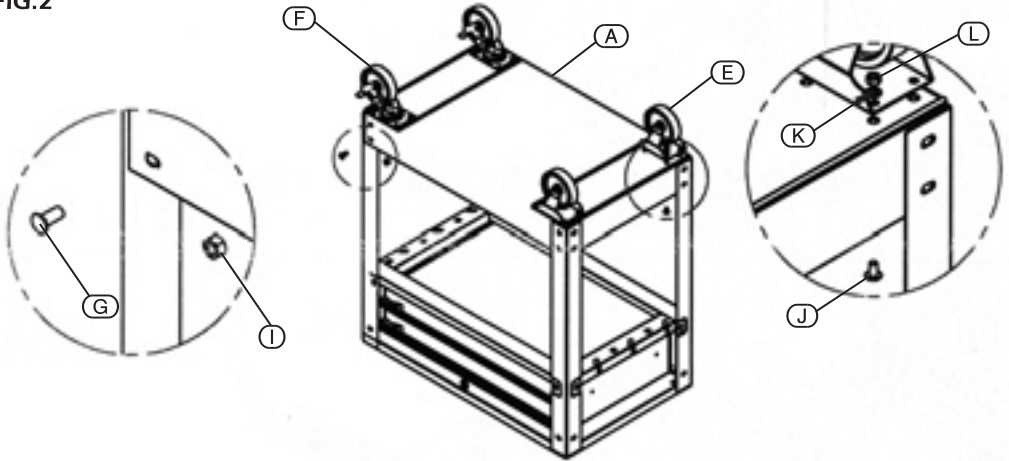
FIG. 1



**– ATTACHING THE BOTTOM SHELF AND CASTORS (Fig.2):**

Using bolts (G) and hex nuts (I) fix the bottom shelf (A) to the assembled top shelf/corner frames. Fix the swivel castors (F) and rigid castors (E) onto the bottom shelf (A) using the castor bolts (J), washers (K) and hex nuts (L).

**FIG.2**



**– ATTACHING THE PUSH BAR (Fig.3):**

Attach the push bar (C) to the assembled trolley using bolts (H) and hex nuts (I). Finally, fully tighten all bolts on the completed unit from top to bottom.

**FIG.3**

