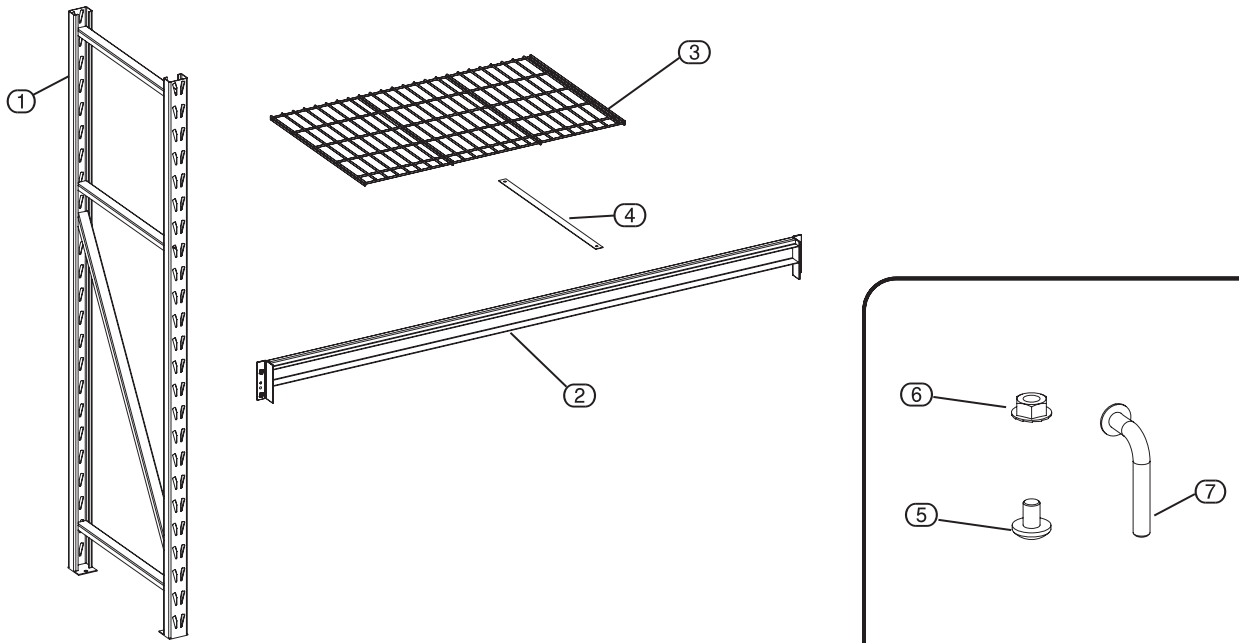


DRAPER[®]

Heavy Duty Metal Modular Shelving Unit

Stock Nos. 05227 Part Nos. MSUHD195/PRO
05229 MSUHD195E/PRO**INSTRUCTIONS****07/2011****DRAPER**[®]

GETTING TO KNOW YOUR SHELVING UNIT



① Frame x 2 ② Beams x 8 ③ Shelves x 8 ④ Centre brace x 4 ⑤ Bolts x 8 ⑥ Nuts x 8 ⑦ Lock pins x 16

- **UNPACKING:** After removing the packing material, make sure the product is in perfect condition and that there are no visible damaged parts. If in doubt, do not use the product and contact the dealer from whom it was purchased.

The packaging materials (plastic bags, polystyrene, etc.), must be disposed of in an appropriate refuse collection container. These materials must not be left within the reach of children as they are potential sources of danger.

DRAPER[®]

SAFETY INSTRUCTIONS

- These units should be placed on a level surface. Failure to do so can result in poor product performance or create a possible safety hazard. This unit should be securely anchored to a wall or floor with suitable fasteners, which are not included. Do not use this unit for anything other than the manufactures intended purpose. **DO NOT STAND ON ANY PART OF THE UNIT, OR USE IT AS A LADDER.** Evenly distribute the weight on each level and always keep the heavier loads on the bottom. Use care when working with metal parts.

DRAPER[®]

OPERATIONS AND USES

- Assembly is done with tabs fitting into the holes of the end frames. A rubber mallet may be use on the beams and braces to seat the tabs properly. A hammer can also be used providing one uses a cloth or a block of wood between the hammer head and the parts to prevent damage. Tap gently and be sure the tabs are straight and fully engaged.

DRAPER[®]

Heavy Duty Metal Modular Shelving Unit

Stock Nos. 05227 Part Nos. MSUHD195/PRO
05229 MSUHD195E/PRO

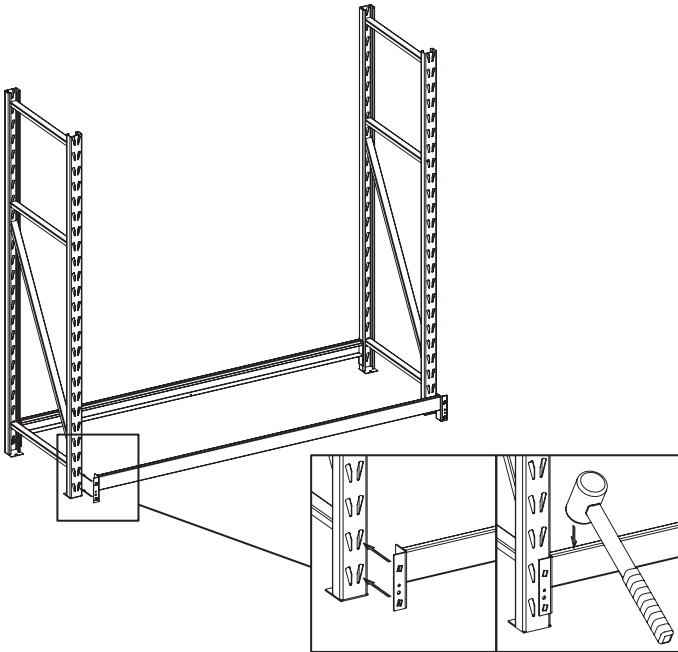
INSTRUCTIONS

07/2011

DRAPER[®]

OPERATIONS AND USES

1. - Hook and secure beams to base of the frame.



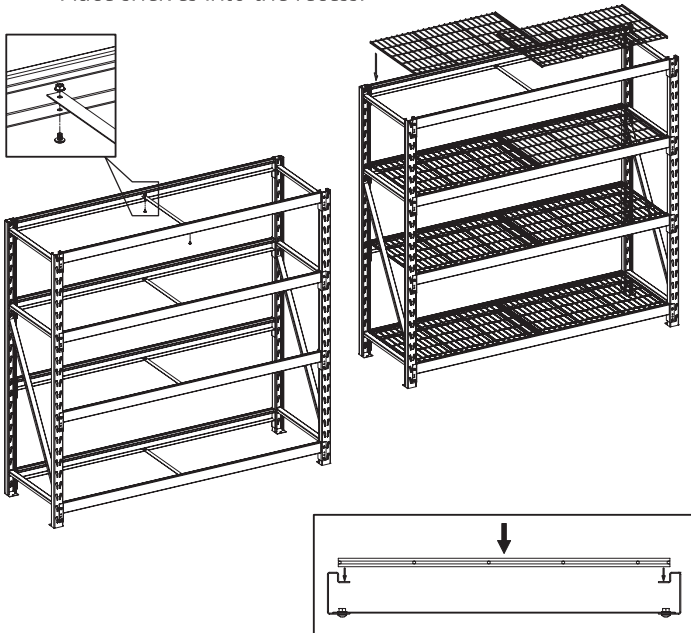
2. - Hook and secure beams to top of the frame.



Then place remaining beams at desired heights.

IMPORTANT NOTE: Make sure all tabs are fully seated, and beams are locked to end frames.

3. - Attach the centre brace using nut and bolt provided. Place shelves into the recess.



4. - Lock all beams onto the frame using pins provided.

