

DRAPER®

INSTRUCTIONS FOR 2.7 Metre ATV Boom Sprayer

Stock No.07572

Part No.BS45M

IMPORTANT: PLEASE READ THESE INSTRUCTIONS CAREFULLY TO ENSURE THE SAFE AND EFFECTIVE USE OF THIS PRODUCT.



CE

DRAPER®

GENERAL INFORMATION

These instructions accompanying the product are the original instructions. This document is part of the product, keep it for the life of the product passing it on to any subsequent holder of the product. Read all these instructions before assembling, operating or maintaining this product.

This manual has been compiled by Draper Tools describing the purpose for which the product has been designed, and contains all the necessary information to ensure its correct and safe use. By following all the general safety instructions contained in this manual, it will ensure both product and operator safety, together with longer life of the product itself.

All photographs and drawings in this manual are supplied by Draper Tools to help illustrate the operation of the product. Whilst every effort has been made to ensure the accuracy of information contained in this manual, the Draper Tools policy of continuous improvement determines the right to make modifications without prior warning.



CONTENTS

Contents/Guarantee 1
 Specification 2
 General safety instructions 3
 Additional safety instructions 4
 Getting to know your atv boom sprayer 5
 Assembly 6-8
 Operation and use 9-10
 Declaration enclosed



GUARANTEE

Draper tools have been carefully tested and inspected before shipment and are guaranteed to be free from defective materials and workmanship.

Should the tool develop a fault, please return the complete tool to your nearest distributor or contact Draper Tools Limited, Chandler's Ford, Eastleigh, Hampshire, SO53 1YF, England.
 Telephone Sales Desk: (023) 8049 4333 or Product Helpline (023) 8049 4344.

A proof of purchase must be provided with the tool.

If upon inspection it is found that a fault occurring is due to defective materials or workmanship, repairs will be carried out free of charge. The guarantee period covering parts/labour is 12 months from the date of purchase. The guarantee is extended to 24 months for parts only. This guarantee does not apply to normal wear and tear, nor does it cover any damage caused by misuse, careless or unsafe handling, alterations, accidents, or repairs attempted or made by any personnel other than the authorised Draper warranty repair agents.

Note: If the tool is found not to be within the Terms of Warranty, repair and carriage charges will be quoted and made accordingly.

This guarantee applies in lieu of any other guarantee expressed or implied and variations of its terms are not authorised.

Your Draper guarantee is not effective unless you can produce upon request a dated receipt or invoice to verify your proof of purchase within the guarantee period.

Please note that this guarantee is an additional benefit and does not affect your statutory rights.

Draper Tools Limited.

Note: This tool is intended for domestic use only.



SPECIFICATION

The Draper Tools policy of continuous improvement determines the right to change specification without notice.

Stock no.	07572
Part no.	BS45M
Spray nozzles	4
Spray pattern/width	4.5M (15ft)
Boom arms width deployed	2.78M
Folded dimensions	1570x500x550mm
Dimensions	460x2780x550mm deployed
Weight.....	8kg

NOTE: For use in conjunction with Draper ATV/Crop Sprayers (Stock Nos.34674, 34676, or 34677).

Some images in this manual show the ATV/Crop Sprayers and how to connect the two together. The ATV/Crop Sprayers listed are not supplied as part of this ATV Boom Sprayer.

CHEMICAL APPLICATION SAFETY:

- ⚠ **WARNING:** Caution must be used when spraying chemicals to avoid unsafe exposure to humans and the environment. Heed the warnings below and follow all instructions carefully.

BEFORE SPRAYING

- Sprayer prep. **ALWAYS** inspect and prepare the sprayer before use according to the directions provided in this manual.
- Keep sprayer off. Do not turn on power to the sprayer until ready to spray in order to avoid unintentional spray release.
- Broadcast nozzle down. Make sure broadcast nozzle is oriented to spray straight down before starting the sprayer. An incorrectly positioned broadcast nozzle may spray chemicals on you or others
- Wind speed. **NEVER** spray when wind speed exceeds 8 KPH in order to minimize spray drift.
- Clear area/post. **ALWAYS** keep the work area clear of people and pets. **POST** warning notices to restrict access by the public for the period recommended on chemical label.
- Operator age. You must be 16 years of age or older to operate this sprayer. Pesticides are especially toxic to children.

DURING SPRAYING

- Over application. **DO NOT** over apply pesticide. Apply at a rate recommended by chemical manufacturer. Excess pesticide can be dangerous to humans, damage desirable plants, and contaminate soil and water sources.
- Never point gun. **NEVER** point the spray gun at people or animals.
- Children/pets. **ALWAYS** exercise extra caution when spraying near areas accessible to children and pets.

- Eating/smoking. **DO NOT** eat, drink, smoke, rub your eyes, or touch any part of your bare skin while handling chemicals and spraying.
- Heat/flames. **DO NOT** spray near open flames or sources of heat.
- Spills. **ALWAYS** clean up spills immediately per instructions on the chemical label.
- Unattended. **ALWAYS** turn off vehicle and set brake or block wheels, turn off power to sprayer, and relieve system pressure before leaving sprayer unattended.
- Troubleshooting. **ALWAYS** refer to the safety instructions in the Troubleshooting Section before attempting any repairs.

AFTER SPRAYING

- Clean sprayer. **ALWAYS** clean the sprayer immediately after use according to the directions provided in this manual.
- Decontaminate. **ALWAYS** decontaminate yourself immediately after you are finished spraying and handling chemicals. Wash all exposed areas of the body with soap and water and remove and launder clothing.
- Chemical disposal/storage. **ALWAYS** dispose of or store remaining chemicals properly as recommended on the chemical label.

ATV VEHICLE HANDLING SAFETY:

WARNING: Serious injury can occur if the ATV on which the sprayer is mounted is driven unsafely.

1. Less stable. Be aware that all vehicle handling will be affected with the filled sprayer attached. See your ATV's warning label for the hazards associated with driving:
 - a) Too fast
 - b) On paved surfaces
 - c) On inclines or rough terrain.
2. These hazards will be increased drastically as a result of the additional weight and location of the filled sprayer. The centre of gravity will be higher and weight distribution different, causing the ATV to be less stable when braking, turning, and driving. Exercise extra caution in vehicle handling. Use particular caution on sloped or rough surfaces in order to prevent rollover. A vehicle equipped with Roll Over Protection System (ROPS) is recommended if you will be operating on non-level terrain.
3. Speed limit. DO NOT exceed 8 kph with sprayer mounted on ATV.
4. Ride/transport. NEVER ride or transport cargo on the sprayer.

CHEMICAL ACCIDENT PROCEDURES:

WARNING: Before you fill the sprayer, review the following information with regard to handling accidents.

Chemical spills, sprayer leaks, personal contamination, and poisoning are accident situations which you may encounter. All require an immediate response – See instructions below.

Sprayer leak In the event that the sprayer develops a leak while spraying chemicals, you must immediately stop spraying.

Turn off power to the sprayer and follow the directions below, as applicable.

BODILY CHEMICAL CONTACT

Personal contamination can occur when chemicals splash, spill, or spray directly onto a person.

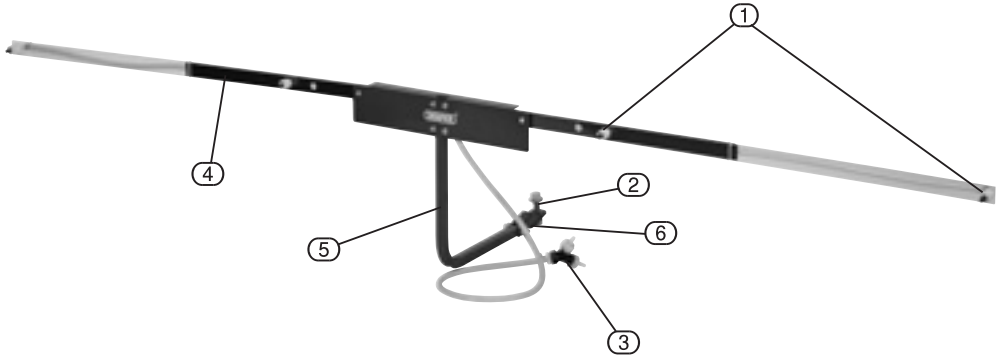
1. Follow the emergency first aid instructions on the chemical label listed in the "First Aid" or "Statements of Practical Treatment" section.

General procedures include:

Eyes – immediately flush with water or follow other directions as specified on the chemical label.

Skin – immediately wash all contaminated skin surfaces with soap and water, or follow directions as specified on the chemical label.

Clothing – remove contaminated clothing immediately. Dispose of heavily contaminated clothing per the instructions on the chemical label for safe chemical/container disposal.



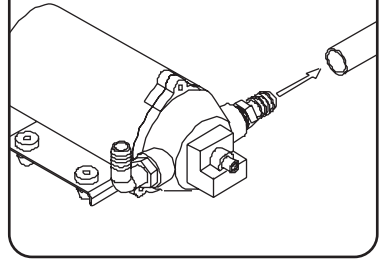
- ① Spray nozzles.
- ② Tow hitch mount.
- ③ Sprayer tank and lance connection.
- ④ Folding boom arms.
- ⑤ Main boom support.
- ⑥ Hinged angle adjustment.

- **UNPACKING:** After removing the packing material, make sure the product is in perfect condition and that there are no visible damaged parts. If in doubt, do not use the product and contact the dealer from whom it was purchased.

The packaging materials (plastic bags, polystyrene, etc.), must be disposed of in an appropriate refuse collection container. These materials must not be left within the reach of children as they are potential sources of danger.

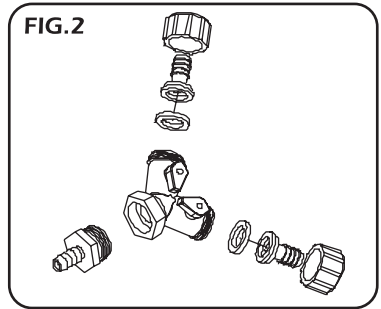
- Loosen the hose clamp on the existing gun hose. Remove the hose from the pump*. Save the hose clamp for step 3.

FIG.1



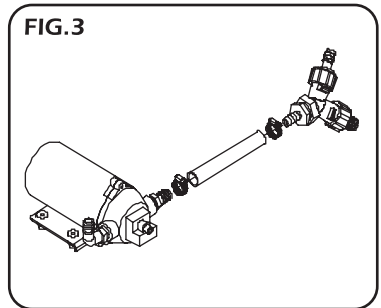
- Screw the $\frac{3}{4}$ " x $\frac{3}{8}$ " hose barb into the base of the three-way ball valve. Place a rubber washer between the $\frac{3}{8}$ " flat seat hose barb and the ball valve. Tighten the $\frac{3}{4}$ " swivel nut onto one branch of the "Y". On the remaining Branch you will need to use either the $\frac{3}{8}$ " or $\frac{1}{2}$ " flat seat hose barb depending on what size your gun hose is. Place a rubber washer between the hose barb and ball valve and tighten with the remaining $\frac{3}{4}$ " swivel nut. You can discard the flat seat hose barb that you do not use.

FIG.2



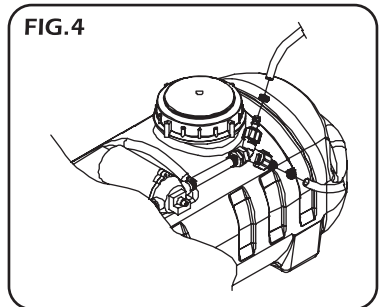
- Slide on one hose clamp onto one end of the supply hose. Push the hose onto the outlet of the pump*. Slide another hose clamp onto the supply hose. Push the inlet hose barb of the three-way ball valve assembly onto the free end of the supply hose. Tighten both hose clamps

FIG.3



- Connect your existing gun hose to the 3-way valve with the existing hose clamp.

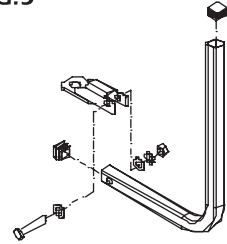
FIG.4



* not supplied.

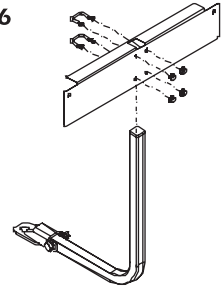
- Attach boom mount pivot to boom upright as shown using the 1/2" bolt, nut, lock washer, and 1/2" flat washers provided, moderately tighten. Next, press or hammer in the square tube plugs into the ends of the boom upright.

FIG. 5



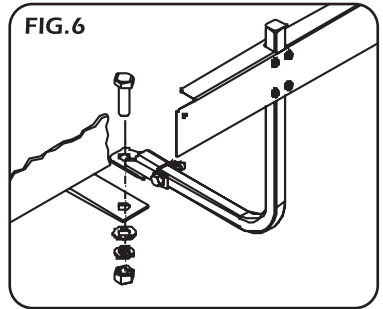
- Attach the boom mount plate to the boom upright assembly, using the two u-bolts and four 1/4-20 flange nuts.

FIG. 6



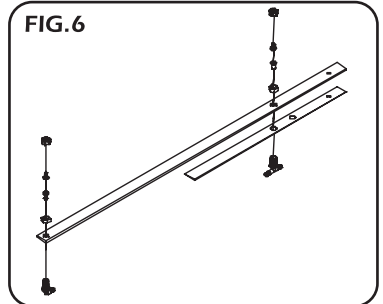
- Attach the boom mount assembly just completed, to the ATV hitch, using the 3/4" bolt, nut, lock washer and flat washers provided (DO NOT Tighten yet). Adjust the position of the boom mount so that it is parallel with the back of the ATV, or perpendicular to the line of travel. Then tighten the bolted joint.

FIG. 6



- Insert the elbow hose barb into the boom arm as shown. Fasten to the boom arm using the nozzle nut. Insert the nozzle strainer into the hose barb. Place the nozzle on top of the strainer. Be sure that the opening on the nozzle is positioned so that when the unit is assembled, the opening points at the ground. Tighten the nozzle and nozzle strainer into the hose barb using the swivel nut. Insert the "T" hose barb into the holes in the boom arm and the boom arm support as shown. Install the nozzle nut, nozzle strainer, nozzle and swivel nut. Make sure that both nozzles points in the same direction. Repeat this step for the other boom arm switching the direction of the nozzles, so that when fully assembled all nozzles will point down.

FIG. 6



- Slide a small hose clamp over both ends of the outside boom hoses and over one end of the centre boom hoses. Slide the outside boom hoses, and the centre boom hoses onto the hose barb ends of the nozzle bodies which are already assembled to the boom arms. Tighten the hose clamps. Attach the boom arms to the boom mount assembly, using the 5/16" bolts, nyloc nuts, and flat washers as shown.
- Make sure the nozzles are pointing down. Next slide a small hose clamp over the free ends of the centre boom hoses, and the boom supply hose. Connect these three hose ends by sliding them on to the insert tee and tightening the clamps. Complete the final adjustment of the boom mount pivot by rotating the boom assembly until the bottom leg of the upright is parallel to the ground. Tightening the 1/2" bolt to 50-55 ft-lbs will clamp it in position (the pivot is to accommodate angled hitches).
- Loosen the u-bolts and slide the boom mount plate up or down on the upright until you get the correct spray overlap. The nozzle height should be approximately 23" above ground.

FIG.5

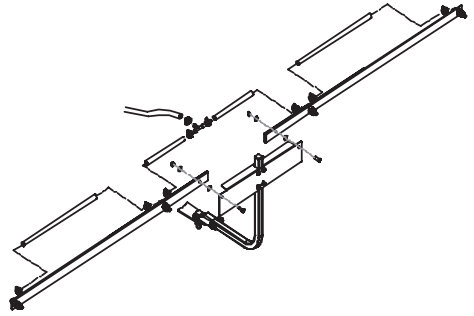
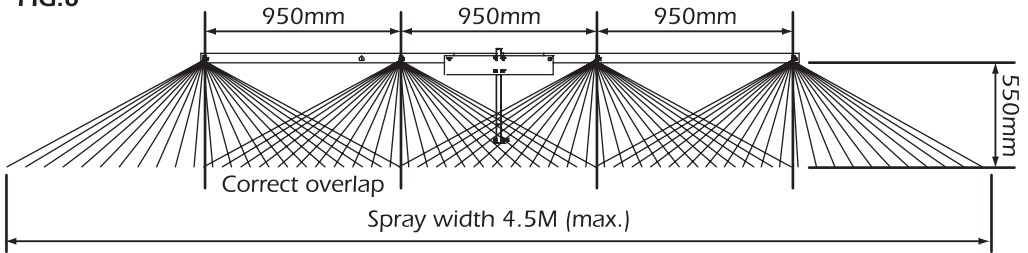
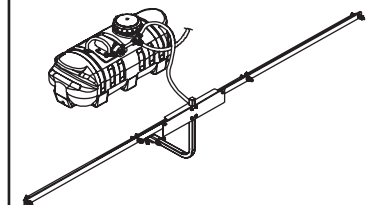


FIG.6



- Attach the tank to the ATV as described in your spot sprayer manual. Attach the boom supply hose to the remaining hose barb on the y-valve.

FIG.6



- With the unit turned OFF, check nozzles for debris or damage, also check for worn hoses and system leaks. Repair before operating.
- Unfold the left and right boom arms.
- Once the water and chemicals are well mixed in your sprayer tank, open the valve that is attached to the boom supply hose. Use the valve to turn the boom on and off as desired. If you use the spray gun while the boom is operating, you will not get the correct coverage from your boom.
- Drive at the desired speed, as calculated by tables 1 and 2 on the next page.
- To operate the spray gun, close the valve leading to the boom and make sure the valve leading to the gun is open.
- **BOOM KIT CALIBRATION:**
 Below are some guidelines to help you calibrate your boom sprayer. This is a very important step in operating your boom sprayer so that you don't apply too much or too little chemical.
 1. Use the suggested application rate (i.e. litres per hectare, litres per 100M², or litres per 10M²)
 2. Using Table 1, find an application rate that corresponds to your chemical manufacturers suggested application rate, and pressure at which your sprayer is operating.
 3. Follow this application rate up the chart to find the speed at which to drive your ATV.

Spray Height	Tip #	Pressure (BAR)	Flow (LPM)	LITRES PER HECTARE - Based on water							
				1KM/H	2KM/H	3KM/H	4KM/H	5KM/H	7KM/H	10KM/H	
58cm	1.5	1	0.68	447	224	149	111	89	63	45	
58cm	1.5	1.7	0.90	596	298	199	149	119	86	60	
58cm	1.5	2.4	1.05	695	348	232	175	138	101	69	

Spray Height	Tip #	Pressure (BAR)	Flow (LPM)	LITRES PER 100M ² - Based on water							
				1KM/H	2KM/H	3KM/H	4KM/H	5KM/H	7KM/H	10KM/H	
58cm	1.5	1	0.68	4.5	2.2	1.5	1.1	0.9	0.6	0.5	
58cm	1.5	1.7	0.90	6.0	3.0	2.0	1.5	1.2	0.9	0.6	
58cm	1.5	2.4	1.05	7.0	3.5	2.3	1.7	1.4	1.0	0.7	

Spray Height	Tip #	Pressure (BAR)	Flow (LPM)	LITRES PER 10M ² . - Based on water							
				1KM/H	2KM/H	3KM/H	4KM/H	5KM/H	7KM/H	10KM/H	
58cm	1.5	1	0.68	0.45	0.22	0.15	0.11	0.09	0.06	0.05	
58cm	1.5	1.7	0.90	0.60	0.30	0.20	0.15	0.12	0.09	0.06	
58cm	1.5	2.4	1.05	0.70	0.35	0.23	0.17	0.14	0.10	0.07	



OPERATION AND USE

- Use the table below to choose the throttle setting on your vehicle:

Speed (mph)	Time required in seconds to travel a distance of:		
	10M	50M	100M
1	36	180	360
2	18	90	180
3	12	60	120
4	9	45	90
5	7	35	70
6	6	30	60
7	5	25	50

- The coverage area can be found by dividing 37 Litres for the 34674 or 60 Litres for the 34676 or 98 Litres for the 34677 (a full tank) by the application rate.

- **DRAPER TOOLS LIMITED,**
Hursley Road, Chandler's Ford,
Eastleigh, Hampshire. SO53 1YF. U.K.

- **Helpline:** (023) 8049 4344
- **Sales Desk:** (023) 8049 4333
- **Internet:** www.draper.co.uk
- **E-mail:** sales@drapertools.com
- **Sales Fax:** (023) 8049 4209
- **General Enquiries:** (023) 8026 6355

- **Service/Warranty Repair Agent**
For aftersales servicing or warranty repairs, please
contact the Draper Tools Helpline for details of an
agent in your local area.

YOUR DRAPER STOCKIST

KKCC110811