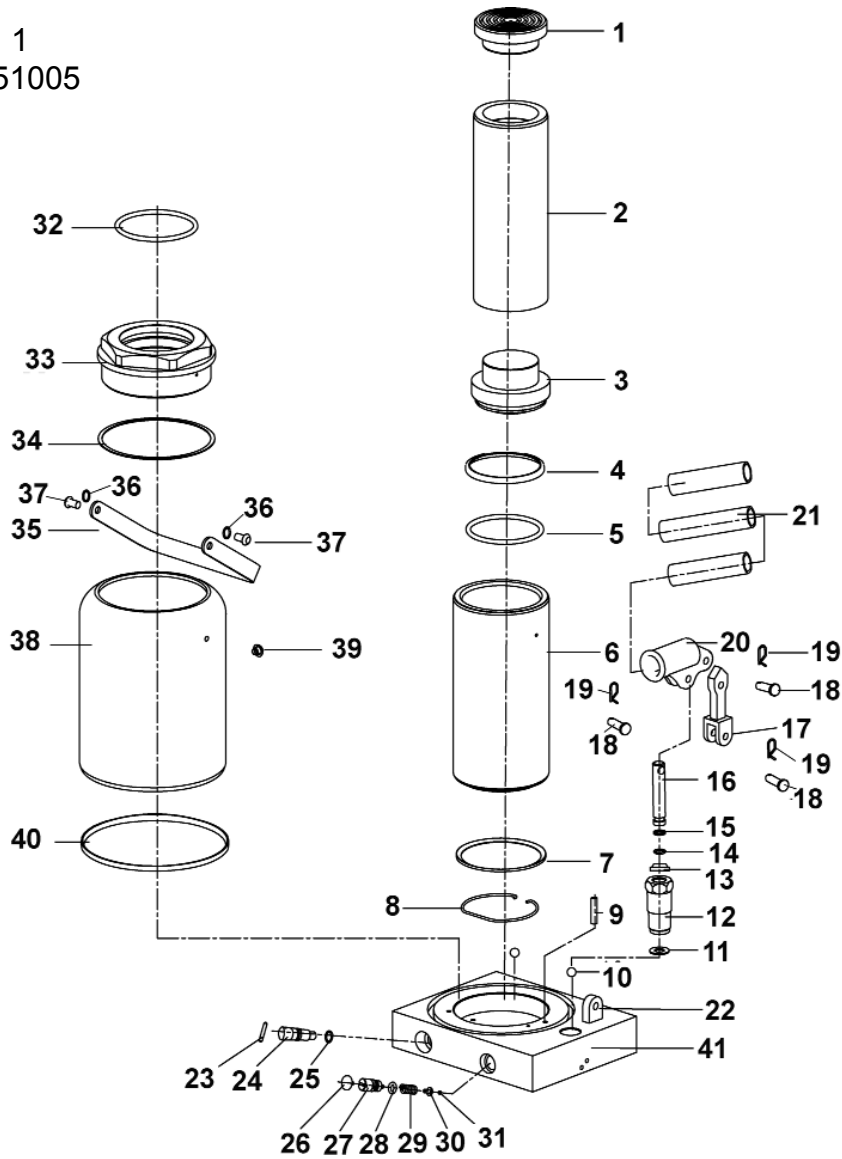




PARTS FOR:

YANKEE BOTTLE JACK MODEL: SJ50

Issue No: 1
Issue date: 251005



| ITEM | PART NO. | DESCRIPTION |
|------|----------|--------------------|
| 1 | SJ50.01 | SADDLE |
| 2 | SJ50.02 | PISTON ROD |
| 3 | SJ50.03 | PISTON |
| 4 | SJ50.04 | BOWL WASHER |
| 5 | SJ50.05 | O-RING |
| 6 | SJ50.06 | CYLINDER |
| 7 | SJ50.07 | STEEL WASHER |
| 8 | SJ50.08 | BALL WASHER |
| 9 | SJ50.09 | FILTER OIL TUBE |
| 10 | SJ50.10 | STEEL BALL |
| 11 | SJ50.11 | WASHER |
| 12 | SJ50.12 | PLUG SCREW |
| 13 | SJ50.13 | DUST RING |
| 14 | SJ50.14 | O-RING |
| 15 | SJ50.15 | RETAINING RING |
| 16 | SJ50.16 | PLUNGER |
| 17 | SJ50.17 | LINKING ROD |
| 18 | SJ50.18 | PIN |
| 19 | SJ50.19 | TORSION SPRING PIN |
| 20 | SJ50.20 | HANDLE SOCKET |
| 21 | SJ50.21 | LEVER |

| ITEM | PART NO. | DESCRIPTION |
|------|----------|-----------------------|
| 22 | SJ50.22 | LINKING BLOCK |
| 23 | SJ50.23 | PIN |
| 24 | SJ50.24 | RELEASE VALVE SHAFT |
| 25 | SJ50.25 | O-RING, RELEASE VALVE |
| 26 | SJ50.26 | OVERLOAD VALVE NUT |
| 27 | SJ50.27 | OVERLOAD VALVE |
| 28 | SJ50.28 | O-RING |
| 29 | SJ50.29 | SPRING |
| 30 | SJ50.30 | SPRING PLUNGER |
| 31 | SJ50.31 | BALL |
| 32 | SJ50.32 | O-RING |
| 33 | SJ50.33 | TOP NUT |
| 34 | SJ50.34 | PACKING RING |
| 35 | SJ50.35 | HANDLE |
| 36 | SJ50.36 | WASHER FOR HANDLE |
| 37 | SJ50.37 | RIVET NUT FOR HANDLE |
| 38 | SJ50.38 | RESERVOIR |
| 39 | SJ50.39 | OIL FILLER PLUG |
| 40 | SJ50.40 | BASE PLATE WASHER |
| 41 | SJ50.41 | BASE PLATE |



Sole UK Distributor
Sealey Group,
Bury St. Edmunds, Suffolk.

01284 757500
01284 703534



www.sealey.co.uk

sales@sealey.co.uk