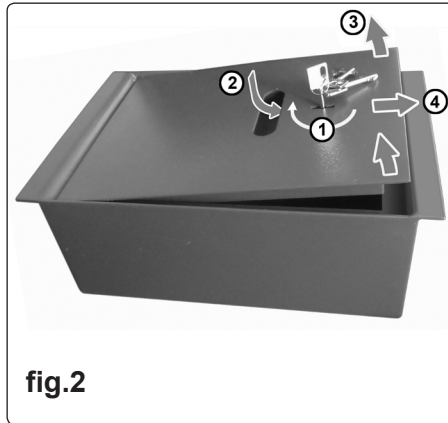


Thank you for purchasing a Sealey product. Manufactured to a high standard this product will, if used according to these instructions and properly maintained, give you years of trouble free performance.



**IMPORTANT: PLEASE READ THESE INSTRUCTIONS CAREFULLY. NOTE THE SAFE OPERATIONAL REQUIREMENTS, WARNINGS AND CAUTIONS. USE THIS PRODUCT CORRECTLY AND ONLY FOR ITS INTENDED PURPOSE. FAILURE TO DO SO MAY CAUSE DAMAGE AND/OR PERSONAL INJURY AND WILL INVALIDATE THE WARRANTY. RETAIN THESE INSTRUCTIONS FOR FUTURE USE.**



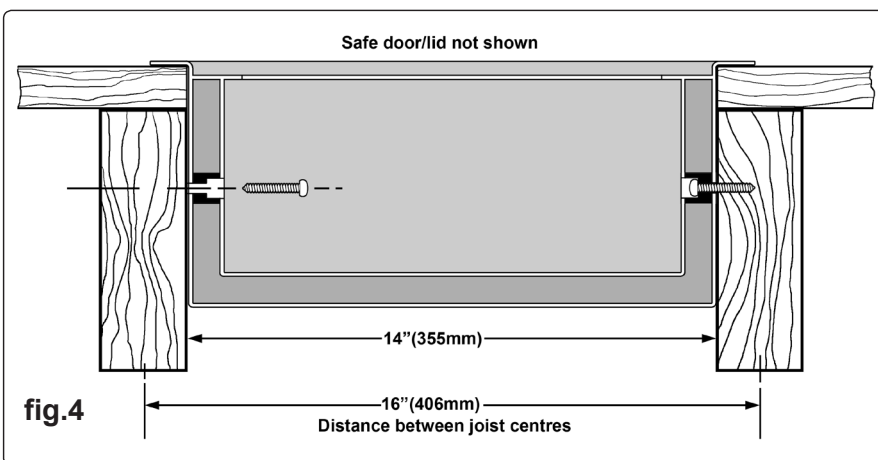
## 1. SAFETY

- ❑ **WARNING!** This safe is heavy and care should be exercised in transit and handling to ensure that no one is injured.
- ✓ For maximum security, this safe must be securely fixed within a sound floor.
- ✗ DO NOT install in areas where there is excessive damp and condensation present.
- ✗ DO NOT install in floor areas that are constantly walked on or where there is any wheeled traffic e.g. trolleys, pallet trucks.

## 2. INTRODUCTION

Heavy-duty steel construction with triple locking bolts. Powder coated finish to help prevent corrosion. Compact design, pre-drilled holes and security fixings allow safe to be fixed into the floor and be hidden away discreetly. Supplied with two keys. WEIGHT - 12kg.

## 3. INSTALLATION



- 3.1 Careful consideration should be given to the sighting of the floor safe to ensure that it is discreetly placed and not easily found by any intruders.
- 3.2 It is intended that the safe flanges will rest at floor level with carpet overlaying the safe.
- 3.3 Each safe is supplied with four heavy duty screws primarily intended to fix into wooden joists. Where the distance between joist centres is greater or less than 16" (406mm) it will be necessary to create additional woodwork to bridge or constrict unsuitable spaces.
- 3.4 If the safe is intended for a solid concrete floor, any recess created must be sound and fully dried out.
- 3.5 Remove the door of the safe as shown in fig.2. Unlock the safe by turning the key clockwise (1). Using the recessed handle (2), lift up the loose end of the door by 20mm (3) and then pull the door sideways (4) to unhook it from the other end of the opening. Lift the door up and away from the safe.
- 3.6 Lower the safe into the previously prepared aperture and drill 4mm pilot holes into the joists using the pre-drilled holes in the ends of the safe as a guide.
- 3.7 Screw the four heavy duty screws provided, sideways into the joists as shown in fig.4.

## 4. OPERATION

- 4.1 Appoint key holders for the two keys provided and discuss security arrangements for the safekeeping and availability of the keys.
- 4.2 Place items for safe keeping into the safe. Replace the lid/door by hooking the end furthest away from the key into one end of the aperture and lower it down into place.
- 4.3 Turn the key anticlockwise to lock the safe, and remove the key.
- 4.4 Allow the floor covering to move back into place to conceal the safe.

**NOTE:** It is our policy to continually improve products and as such we reserve the right to alter data, specifications and component parts without prior notice.

**IMPORTANT:** No liability is accepted for incorrect use of this product.

**WARRANTY:** Guarantee is 12 months from purchase date, proof of which will be required for any claim.

**INFORMATION:** For a copy of our latest catalogue and promotions call us on 01284 757525 and leave your full name and address, including postcode.