

Thank you for purchasing a Sealey product. Manufactured to a high standard this product will, if used according to these instructions and properly maintained, give you years of trouble free performance.



IMPORTANT: PLEASE READ THESE INSTRUCTIONS CAREFULLY. NOTE THE SAFE OPERATIONAL REQUIREMENTS, WARNINGS AND CAUTIONS. USE THE PRODUCT CORRECTLY AND WITH CARE FOR THE PURPOSE FOR WHICH IT IS INTENDED. FAILURE TO DO SO MAY CAUSE DAMAGE AND/OR PERSONAL INJURY AND WILL INVALIDATE THE WARRANTY. PLEASE KEEP INSTRUCTIONS SAFE FOR FUTURE USE.

1. SAFETY INSTRUCTIONS

- WARNING!** Ensure Health and Safety, local authority and general workshop practice regulations are adhered to when using tools.
- DO NOT** use tools if damaged.
- DO NOT** use this tool for purposes other than for which they are designed.
- Maintain tools in good and clean condition for best and safest performance.
- Ensure that a vehicle which has been jacked up is adequately supported with axle stands.
- Wear approved eye protection. A full range of personal safety equipment is available from your Sealey dealer.
- Wear suitable clothing to avoid snagging. **DO NOT** wear jewellery and tie back long hair.
- Keep children and unauthorised persons away from the work area.
- Account for all tools and parts being used and do not leave them in or near the engine.
- DO NOT** use the thread repair kit when you are tired or under the influence of alcohol, drugs or intoxicating medicines.
- DO NOT** attempt to start engine or move vehicle, whilst tools are fitted and work is in progress.
- Ensure any disconnected fuel pipes are plugged to avoid spillage.
- Account for all tools and parts being used, **DO NOT** leave them in or near the engine. Return all parts to the case and store this in a safe, dry, childproof location.
- IMPORTANT:** These instructions are provided as a guide only. Always refer to the vehicle manufacturer's service instructions, or a proprietary manual, to establish the current procedure and data.
- WARNING!** Failure to comply with these instructions may result in damage to the thread repair kit or vehicle and/or personal injury.
- WARNING!** The warnings referred to in this guide cannot cover all possible conditions and situations that may occur. It must be understood that common sense and caution are factors which cannot be built into this product, but must be applied by the operator.

2. INTRODUCTION & SPECIFICATIONS

Comprehensive and time saving kit of spark plug thread repair tools especially suitable for the repair of deep seated plug configurations. Kit of tools incorporates taper and plug taps together with intergrated ream. Stepped tap ensures correct alignment of cutter in existing spark plug hole. Extension tools allow easy access to the bottom of the plug recess. Includes set of plug inserts.

Specifications.

Model No: VS301
 Plug tap: M14x1.25
 Step tap: M14x1.25; M16x1.25
 Insert lengths: 9mm and 15mm
 Replacement inserts; VS301.9 (10pcs), VS301.15 (10pcs)

3. CONTENTS



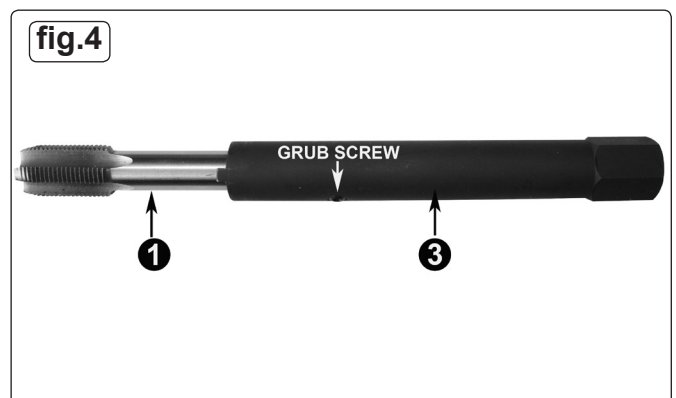
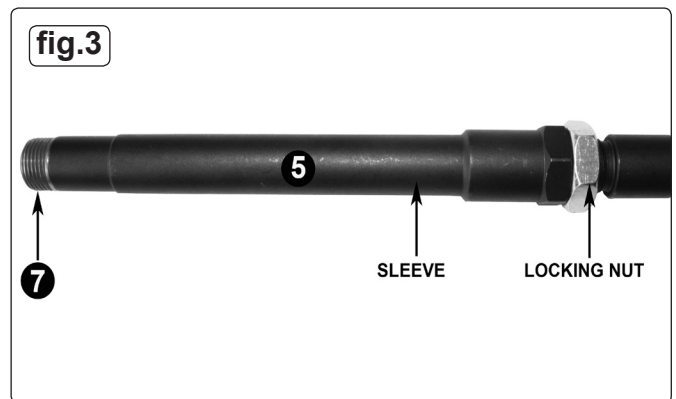
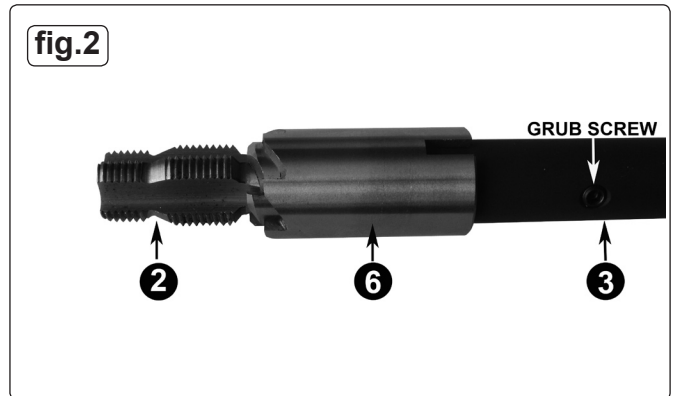
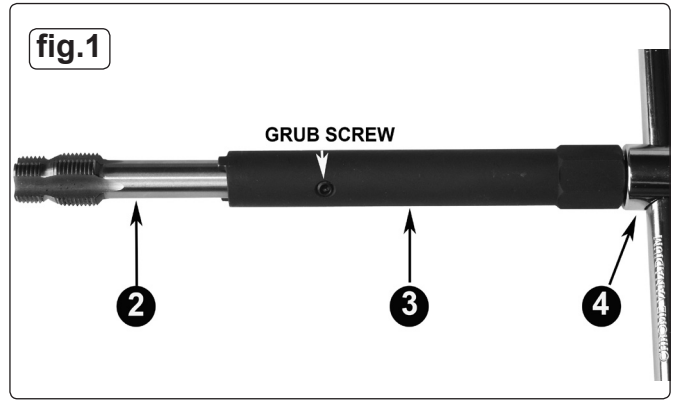
Item	Description	Part No:	Item	Description	Part No:
1	Plug Tap (M14x1.25)	VS301.05	5	Insert Drive	VS301.02
2	Step Tap (M14x1.25; M16x1.25)	VS301.06	6	Seat Cutter	VS301.04
3	Wrench	VS301.03	7	Inserts 9mm/15mm	VS301.9/VS301.15
4	T-bar	VS301.01	8	Allen Key (2.5mm)	



4. INSTRUCTIONS

NOTE: To minimise the possibility of damage to the engine, it is advisable to remove the cylinder head from the engine prior to commencing work of this nature. Alternatively use a suitable method of removing any swarf/debris from the combustion chamber, ensuring that the piston is at top dead centre. Wear eye protection when cleaning any swarf/debris from the engine. A full range of personal safety equipment is available from your Sealey Dealer.

- 4.1. Remove the spark plug from the cylinder head.
- 4.2. Insert the step tap (2) into the wrench (3) and lock into place with the grub screw using the allen key (8). Attach the T-bar (4) to the top of the wrench (3) (fig.1).
- 4.3. Carefully cut a M16x1.25 thread (using a suitable cutting fluid) into the damaged spark plug hole in the cylinder head and clean away the swarf/debris.
- 4.4. Remove the step tap (2) from the wrench (3) and place the seat cutter (6) over the end of the wrench (3) so the lugs of the wrench locate into the recesses inside the seat cutter (6). Reattach the step tap (2) and lock into place with the grub screw using the allen key (8) (fig.2).
- 4.5. Thread the step tap (2) down the newly cut M16x1.25 hole and aided by a suitable lubricant, carefully use the seat cutter (6) to clean up the spark plug seat. Extract the seat cutter (6) and step tap (2) and clean away the swarf/debris.
- 4.6. Select the size of insert (7) required and screw onto the end of the insert drive (5) so that about one thread is protruding through the insert (7). Check the insert (7) is flush and tight against the insert drive sleeve and lock into position with the locking nut on the insert drive (5) using suitable spanners (fig.3).
- 4.7. Apply a suitable thread locking solution to the exterior thread of the insert (7). Attach the T-bar (4) to the insert drive (5) and carefully screw the insert (7) into the M16x1.25 threaded hole in the cylinder head until it is fully located. Loosen the locking nut on the insert drive (5) and release the sleeve from the insert (7). Carefully remove the insert drive (5) from the cylinder head. Allow sufficient time for the thread lock to cure before proceeding to the next step.
- 4.8. Insert the plug tap (1) into the wrench (3) and lock into place with the grub screw using the allen key (8). Attach the T-bar (4) to the top of the wrench (3) (fig.4).
- 4.9. Carefully clean the internal thread of the insert (7) with the plug tap (1) (using a suitable cutting fluid) and thoroughly clean away any swarf/debris, especially any that may have accumulated in the combustion chamber. Test the internal thread of the insert (7) with a spark plug.
- 4.10. Ensure all tools are removed from the engine bay and returned to the tool tray, and store this in a safe, dry, childproof location.



NOTE: It is our policy to continually improve products and as such we reserve the right to alter data, specifications and component parts without prior notice.

IMPORTANT: No liability is accepted for incorrect use of this product.

WARRANTY: Guarantee is 12 months from purchase date, proof of which will be required for any claim.

INFORMATION: For a copy of our latest catalogue and promotions call us on 01284 757525 and leave your full name and address, including postcode.

SEALEY Professional
TOOLS
AUTO SERVICE LINE

Sole UK Distributor, Sealey Group,
Kempson Way, Suffolk Business Park,
Bury St. Edmunds, Suffolk
IP32 7AR



01284 757500

01284 703534



www.sealey.co.uk

sales@sealey.co.uk