

Thank you for purchasing a Sealey product. Manufactured to a high standard this product will, if used according to these instructions and properly maintained, give you years of trouble free performance.

! IMPORTANT: PLEASE READ THESE INSTRUCTIONS CAREFULLY. NOTE THE SAFE OPERATIONAL REQUIREMENTS, WARNINGS AND CAUTIONS. USE THE PRODUCT CORRECTLY AND WITH CARE FOR THE PURPOSE FOR WHICH IT IS INTENDED. FAILURE TO DO SO MAY CAUSE DAMAGE AND/OR PERSONAL INJURY AND WILL INVALIDATE THE WARRANTY. PLEASE KEEP INSTRUCTIONS SAFE FOR FUTURE USE.

1. SAFETY INSTRUCTIONS

- WARNING!** Ensure Health and Safety, local authority and general workshop practice regulations are adhered to when using tools.
- DO NOT** use tools if damaged.
- ✓ Maintain tools in a good, clean condition for the best and safest performance.
- ✓ Ensure that a vehicle which has been jacked up is adequately supported with axle stands.
- DO NOT** attempt to start engine or move vehicle whilst in gear, with locking devices fitted.
- ✓ Always display a warning notification on steering wheel when timing engine components.
- ✓ Wear suitable clothing to avoid snagging. Do not wear jewellery and tie back long hair.
- ✓ Wear approved eye protection. A full range of personal safety equipment is available from your Sealey dealer.
- ✓ Account for all tools, locking bolts, pins and parts being used. **DO NOT** leave them in or near the engine.
- ✓ When not in use, store in a safe, dry, childproof location.
- WARNING!** Incorrect or out of phase camshaft timing can result in contact between valve head and piston crown causing damage to the engine.
- ▲ IMPORTANT:** These instructions are provided as a guide only. Always refer to the vehicle manufacturer's service instructions, or a proprietary manual, to establish the current procedure and data.

2. APPLICATIONS

Engine Codes:

Alfa Romeo: 1.9 323.02, 371.01, 182B9.000, 937A2.000, 939A1.000, 939A2.000, 939A7.000, 192A5.000, 192B1.000, 937A4.000, 937A5.000, 939A2.000, 939A8.000, 2.4 325.01, 342.02, 362.02, 839A6.000, 841C.000, 841G.000, 841H.000, 841M.000, 939A3.000.

Fiat: 182B4.000, 182B9.000, 186A6.000, 188A2.000, 188A7.000, 188B2.000, 192A1.000, 192A3.000, 192A9.000, 198A2.000, 198A3.000, 198A5.000, 198A6.000, 199A5.000, 939A1.000, 939A5.000, 939A7.000, 223A7.000, 192A5.000, 939A2.000, 939A8.000, 185A6.000, 939A3.000.

Lancia: 323.02, 371.01, 188B2.000, 937A2.000, 838A8.000, 839A5.000, 839A6.000, 841C.000, 841G.000, 841H.000.

Applications:

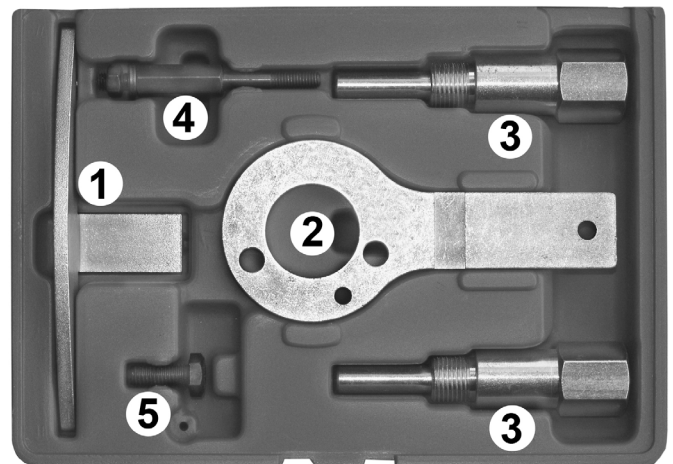
Alfa Romeo: 1.9 8/16V, 2.4 10/20V JTD - 145 (98-01), 146 (98-01), 147 (01-08), 156 (97-08), 159 (05-08), 166 (98-08), GT (04-08), Brera (05-08).

Fiat: 1.6 16V, 1.9 8/16V, 2.0 16V, 2.4 10/20V JTD - Brava (98-02), Bravo (98-02), Bravo (07-09), Croma (05-08), Doblo/Cargo (02-08), Grande Punto (05-08), Idea (04-07), Marea (99-03), Marea Weekend (99-03), Multipla (99-04), Punto (99-06), Stilo (01-06).

Lancia: 1.9 8V, 2.4 10/20V JTD - Kappa (98-02), Lybra (99-07), Musa (04-08), Thesis (02-08).

3. CONTENTS

No.	Part No.	OEM No.	Description.
1.	VSE5961-1	2000003000	Flywheel Holding Tool
2.	VSE5961-2	1860905010	Crankshaft Locking Tool
3.	VSE5961-3	1870896900	Camshaft Timing Pin (pair)
4.	VSE5961-4	N/A	Support Spindle
5.	VSE5961-5	N/A	Bolt



NOTE: It is our policy to continually improve products and as such we reserve the right to alter data, specifications and component parts without prior notice.

IMPORTANT: No liability is accepted for incorrect use of this product.

WARRANTY: Guarantee is 12 months from purchase date, proof of which will be required for any claim.

INFORMATION: For a copy of our latest catalogue and promotions call us on 01284 757525 and leave your full name and address, including postcode.