

Thank you for purchasing a Sealey product. Manufactured to a high standard this product will, if used according to these instructions and properly maintained, give you years of trouble free performance.

IMPORTANT: PLEASE READ THESE INSTRUCTIONS CAREFULLY. NOTE THE SAFE OPERATIONAL REQUIREMENTS, WARNINGS & CAUTIONS. USE THE PRODUCT CORRECTLY AND WITH CARE FOR THE PURPOSE FOR WHICH IT IS INTENDED. FAILURE TO DO SO MAY CAUSE DAMAGE OR PERSONAL INJURY, AND WILL INVALIDATE THE WARRANTY. PLEASE KEEP INSTRUCTIONS SAFE FOR FUTURE USE.

1. SAFETY INSTRUCTIONS

1.1 GENERAL SAFETY

- ❑ **WARNING!** Ensure Health & Safety, and local authority regulations are adhered to when assembling and using this storage system.
- ✓ Locate storage system in a suitable area where it will not be an obstruction.
- ✓ Keep the general area clean, uncluttered and ensure there is adequate lighting.
- ❑ **WARNING!** Erect storage system on a level and solid surface such as concrete.
- ✓ Keep children and unauthorised persons away from the storage area.
- x **DO NOT** use the storage system for any purpose other than that for which it is designed.
- x **DO NOT** site the storage system out of doors.
- x **DO NOT** get the storage system wet or use in damp or wet locations or areas where there is condensation.
- x **DO NOT** clean the shelf supports with any solvents which may damage the coated surface.
- ✓ Ensure that the storage system is properly assembled before loading with heavy items.
- ✓ Load for each shelf must be evenly distributed.
- ✓ Place heavier items on the lower shelves of the storage system.
- ✓ Always **push** the storage system from the sides, pushing from the front or back creates a tipping hazard.

2. INTRODUCTION

Powder coated steel racks with robust composite storage bins evenly spread across multiple shelves. Mounted on heavy-duty castors (two lockable) for mobility. Unit can hold up to a maximum weight of 60kg - 150kg (Model dependant) evenly spread across the bins. Optional fixing kit available allowing multiple units to be joined together - order Model No. TPSJK.

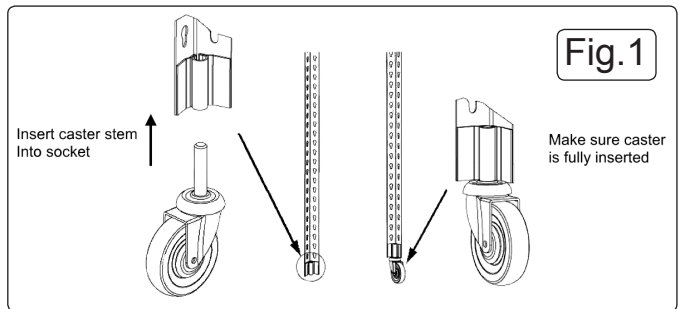
3. CONTENTS

Carefully unpack the product and check the contents against the list below. Should any items be missing or damaged make immediate contact with your Sealey dealer.

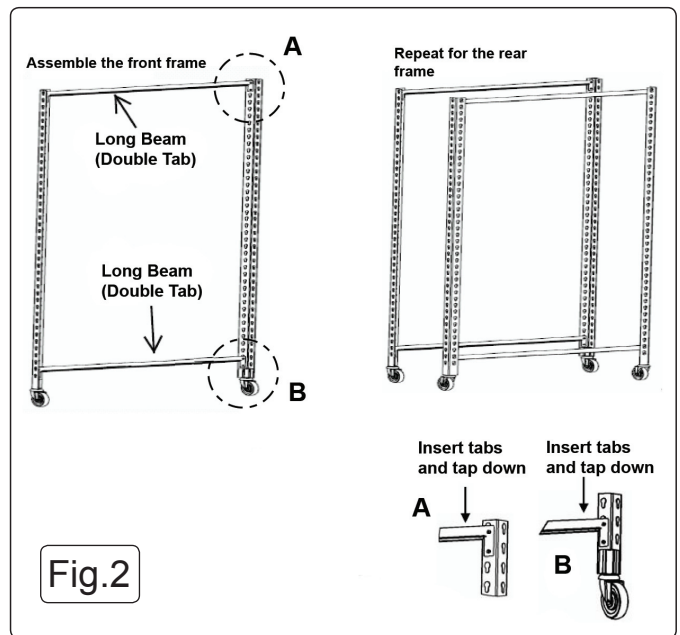
Part Description	TPS22	TPS36
Castors (2 Locking)	4	4
Uprights	4	4
Beam (Double Tab)	4	4
Side Brace (Double Tab)	4	4
Shelf Beam (Single Tab)	8	16
Side Centre Brace (Single Tab)	2	2
Wire Shelf (Large Bins)	1	3
Wire Shelf (Medium Bins)	1	3
Wire Shelf (Small Bins)	3	3
Wire Shelf (Top)	1	1
Large Bins	3	9
Medium Bins	4	12
Small Bins	15	15

4. ASSEMBLY

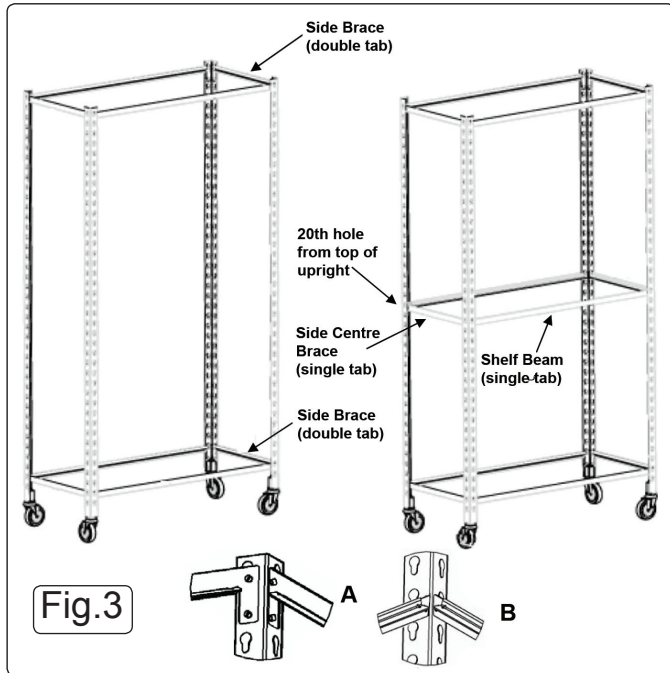
- 4.1 Take the four uprights and insert the four castors into the bottom of each. See Fig.1.
Ensure the castors are fully seated.



- 4.2 Assemble the front and back frames.
4.2.1 Take two of the uprights with locking castors and insert long beam between the two uprights at the top and bottom. See Fig.2. Ensure the beams are the correct way up (Fig.2A/B) and seated correctly, use a soft faced mallet to tap the beams home.
4.2.2 Repeat process for the other two uprights using the non-locking castors.

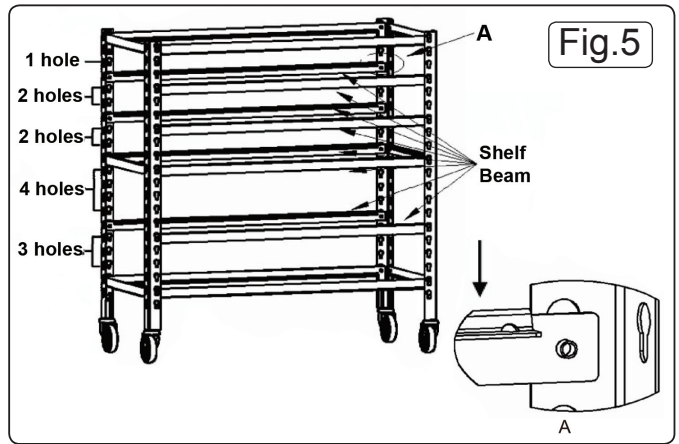
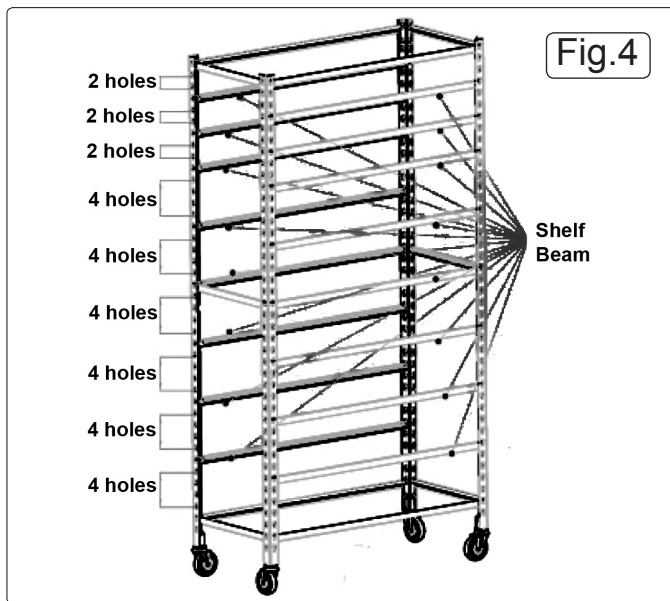


- 4.3 Attach the front and rear frame together using the smaller side braces with the double tabs, insert at the top and bottom of the frames (Fig.3A). Ensure again they are the correct way up and that the locking castors are at the front.
- 4.4 Between the two uprights Install the centre braces (single tab) half way up the frames. See Fig.3B.
- 4.5 **TPS36 ONLY** - As well as the side braces attach front and rear beam (single tab) exactly half way up the frame, front and back (Fig.3B).

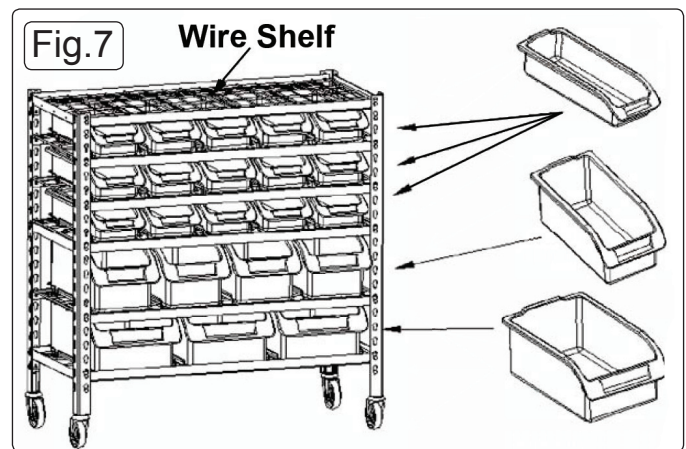
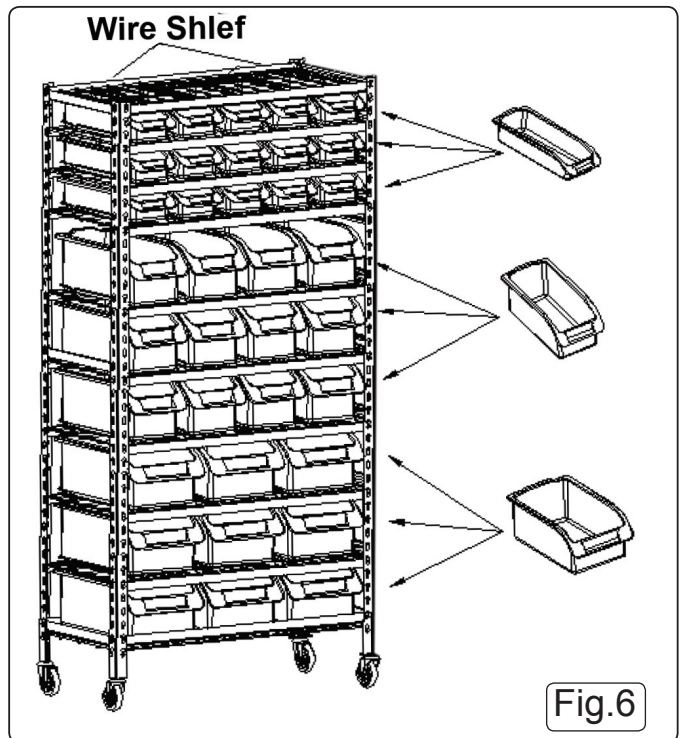


IMPORTANT! if you are going to join 2 x TPS22 to make TPS44 or 2 x TPS36 to make TPS72 you should at this point refer to the instructions supplied with the joining kit - Model No. TPSJK

- 4.6 Insert the remaining cross beams in the frame using Fig.4 and Fig.5 to space them out correctly. Ensure the beams are the correct way around to hold the wire shelves (Fig.4, Fig.5). As before use a soft faced mallet to tap the beams into place.



- 4.8 Starting at the bottom place the wire shelves into the frame ensuring the shelves for the larger bins are at the bottom and the shelves for the smaller bins are at the top. Place the flat wire shelf on the top. The storage system is now ready to use.



NOTE: It is our policy to continually improve products and as such we reserve the right to alter data, specifications and component parts without prior notice.
IMPORTANT: No liability is accepted for incorrect use of this product.
WARRANTY: Guarantee is 12 months from purchase date, proof of which will be required for any claim.
INFORMATION: For a copy of our latest catalogue and promotions call us on 01284 757525 and leave your full name and address, including postcode.



Sole UK Distributor, Sealey Group,
 Kempson Way, Suffolk Business Park,
 Bury St. Edmunds, Suffolk,
 IP32 7AR

01284 757500
 01284 703534

www.sealey.co.uk
 sales@sealey.co.uk