

Thank you for purchasing a Sealey product. Manufactured to a high standard this product will, if used according to these instructions and properly maintained, give you years of trouble free performance.



**IMPORTANT: PLEASE READ THESE INSTRUCTIONS CAREFULLY. NOTE THE SAFE OPERATIONAL REQUIREMENTS, WARNINGS AND CAUTIONS. USE THE PRODUCT CORRECTLY AND WITH CARE FOR THE PURPOSE FOR WHICH IT IS INTENDED. FAILURE TO DO SO MAY CAUSE DAMAGE AND/OR PERSONAL INJURY AND WILL INVALIDATE THE WARRANTY. PLEASE KEEP INSTRUCTIONS SAFE FOR FUTURE USE.**



1. Direct Compressed Air Outlet
2. Tank
3. On/Off/Reset Switches
4. Pressure Gauge
5. Hour Meter
6. Condensate Drain Tap

## 1. SAFETY INSTRUCTIONS

### 1.1. ELECTRICAL SAFETY

**WARNING! ELECTRICAL INSTALLATION OF COMPRESSOR TO A 3-PHASE 415 VOLT SUPPLY MUST ONLY BE CARRIED OUT BY A QUALIFIED ELECTRICIAN.**

**Make sure the power supply cable is correctly connected to the earth. It is the responsibility of the owner and the user to read, understand and comply with the following:**

You must check all electrical equipment and appliances to ensure they are safe before using. You must inspect power supply leads, plugs and all electrical connections for wear and damage. You must ensure the risk of electric shock is minimised by the installation of appropriate safety devices. An RCCB (Residual Current Circuit Breaker) should be incorporated in the main distribution board.

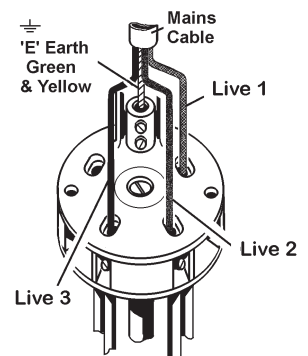
**You must** also read and understand the following instructions concerning electrical safety.

- 1.1.1. The **Electricity At Work Act 1989** requires all portable electrical appliances, if used on business premises, to be tested by a qualified electrician, using a Portable Appliance Tester (PAT), at least once a year.
- 1.1.2. The **Health & Safety at Work Act 1974** makes owners of electrical appliances responsible for the safe condition of the appliance and the safety of the appliance operator. **If in any doubt about electrical safety, contact a qualified electrician.**
- 1.1.3. Ensure that all insulation on the cables and the appliance itself is safe before connecting to mains power supply.
- 1.1.4. Ensure that cables are always protected against short circuit and overload.
- 1.1.5. Regularly inspect power supply, leads, plugs and all electrical connections for wear and damage, especially power connections, to ensure that none is loose.
- 1.1.6. **Important:** Ensure the voltage marked on the product is the same as the electrical power supply to be used. A three phase plug must be fitted to this machine.
- 1.1.7. **DO NOT** pull the powered appliance by the power cable.
- 1.1.8. **DO NOT** pull power plugs from sockets by the power cable.
- 1.1.9. **DO NOT** use worn or damage leads, plugs or connections. Immediately replace or have repaired by a qualified electrician.
- 1.1.10. **This product must be fitted with a 3-phase plug according to the diagram, and will require a minimum of 16 amps per phase (preferably 32 amp) electrical supply. You must contact a qualified electrician to ensure an appropriately fused supply is available.**

Connect GREEN/YELLOW wire to earth (E) terminal.

Connect the live wires to live 1, 2 and 3. Check for the correct direction of rotation (see arrow on belt cage) to confirm correct wiring of 3-phase plug when the compressor is first run (the top cover will need to be removed to allow this).

When completed, check that there are no bare wires, that all wires have been connected correctly, that the cable external insulation extends beyond the cable restraint and that the restraint is tight.




## 1.2. GENERAL SAFETY INSTRUCTIONS

- ✓ Familiarise yourself with the application and limitations of the compressor.
- ✓ Ensure that the compressor is in good order and condition before use. If in any doubt do not use the unit and contact an electrician/ service agent.
- ☐ **IMPORTANT!** The compressor must be installed and commissioned by qualified personnel.
- ☐ **WARNING! Compressor must only be serviced by an authorised agent. DO NOT tamper with, or attempt to adjust, pressure switch or safety valve.**
- ✓ Before moving or maintaining the compressor ensure it is unplugged from the mains supply and that the air tank pressure has been vented.
- ✓ Maintain the compressor in good condition and replace any damaged or worn parts. Use genuine parts only. *Unauthorised parts may be dangerous and will invalidate your warranty.*
- ✓ Read the instructions regarding any accessory used with the compressor. Ensure the safe working pressure of any air appliance used exceeds the compressor regulator. If using a spray gun, check the area selected for spraying is provided with an air change system or ventilation.
- ✓ Ensure the air supply valve is turned off before disconnecting the air supply hose.
- ✓ Use the compressor in a well ventilated area and ensure it is placed on a firm surface away from any heat sources.
- ✓ Keep tools and other items away from the compressor when it is in use and keep area clean and clear of unnecessary items.
- ✓ Ensure the air hose is not tangled, twisted or pinched.
- ✓ Keep children and unauthorised persons away from the working area.
- ✗ **DO NOT** dis-assemble compressor for any reason. The unit must be checked by qualified personnel only.
- ✗ **DO NOT** use the compressor outdoors, or in damp, or wet, locations and **DO NOT** operate within the vicinity of flammable liquids, gases or solids.
- ✗ **DO NOT** touch compressor cylinder, cylinder head or pipe from head to tank as these may be hot and will remain so for some time after shutdown.
- ✗ **DO NOT** attempt to move the compressor by pulling the air tool hose.
- ✗ **DO NOT** use this product to perform a task for which it has not been designed.
- ✗ **DO NOT** operate the compressor with any of the panels removed.
- ✗ **DO NOT** deface the certification plate attached to the end of the compressor tank.
- ✗ **DO NOT** cover compressor or restrict air flow around the machine whilst operating.
- ▲ **DANGER! DO NOT direct the output jet of air towards people or animals.**
- ✗ **DO NOT** operate the compressor without an inlet air filter.
- ✗ **DO NOT** allow anyone to operate the compressor unless they have received full instructions and adequate training.
- ☐ **WARNING! The air tank is a pressure vessel and the following safety measures apply:**
- ✗ **DO NOT tamper with the safety valve and DO NOT modify or alter the tank in any way, DO NOT strap anything to the tank.**
- ✗ **DO NOT subject the tank to impact, vibration or to heat and DO NOT allow contact with abrasives or corrosives.**
- ✓ **Inspect inside walls for corrosion as per the maintenance section, have a detailed tank inspection carried out annually. Tank shell must not fall below the certified thickness at any point.**
- ☐ **WARNING! If an electrical fuse blows, ensure that it is replaced with one of identical type and rating.**
- ✓ When not in use, store the compressor carefully in a safe, dry, childproof location.
- ☐ **IMPORTANT WARNING** - Air contaminants taken into the compressor will affect optimum performance.  
**Example:** Body filler dust or paint over-spray will clog the pump intake filter and may cause internal damage to pump/motor components. Please note that any parts damaged by any type of contamination will not be covered by warranty.

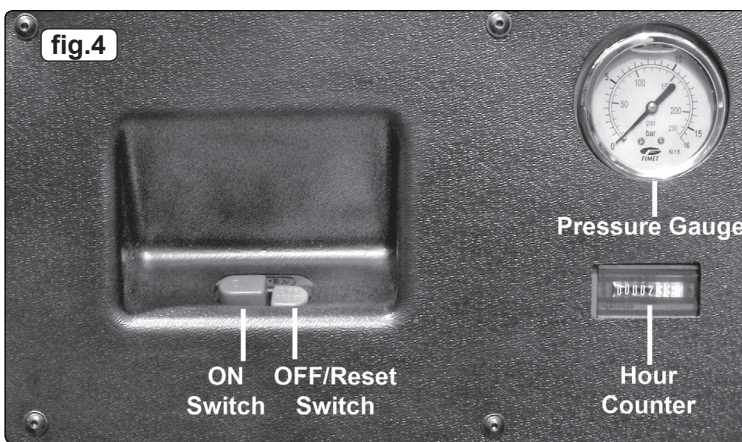
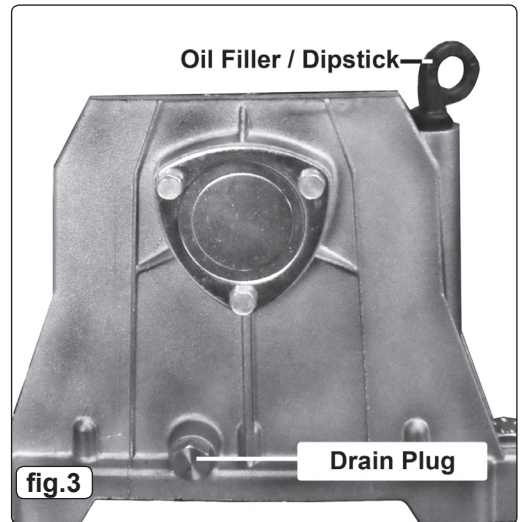
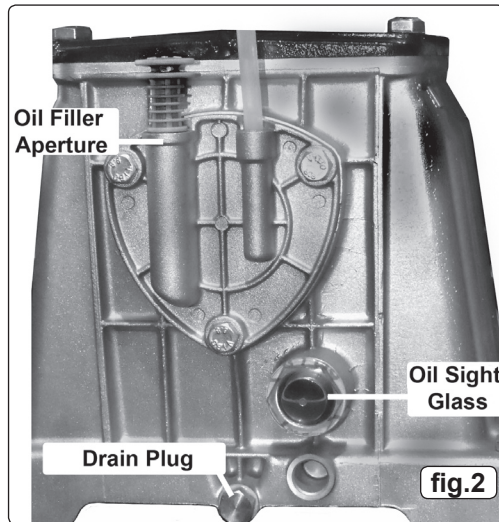
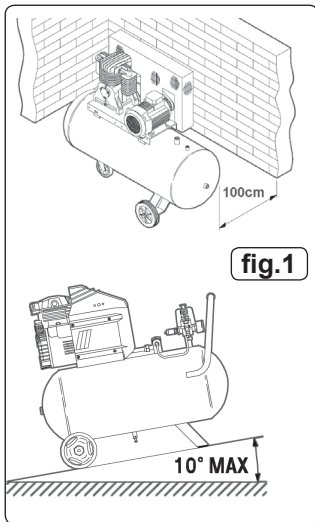
## 2. INTRODUCTION & SPECIFICATIONS

Heavy-duty low noise compressors suitable for garage, bodyshop and industrial applications. Fitted with cast iron cylinder heads enabling slower revving and improved pump life. Fully enclosed, insulated design gives silent running and protects vital components from damage. Features fully automatic pressure cut out switch and tank pressure gauge. Heavy-duty three phase electric motors with soft start feature. Control box features hour meter for monitoring use and optimising service times. Supplied with full CE certification and test certificate.

	Motor Output (hp)	Voltage/Phase	Input Current (Amp)	Speed (Rpm)	Air Displacement (Cfm/Lm)	Max Free Air Delivery (Cfm/Lm)	Max. Pressure (psi/bar)	Tank Capacity (Ltr)	Dimension (WxDxH) (mm)	Weight (kg)	Noise (dB.A)	Noise LwA (dB.A)
SAC42755BLN	5.5	415V/3	32	1516	21.1/598	15.3/434	145/10	270	1550x600x1260	198	69	95
SAC72775BLN	7.5	415V/3	32	1280	32.6/924	23.6/668	145/10	270	1550x600x1260	213	66	95

## 3. PREPARATION

- 3.1. Remove compressor from packaging and inspect for any shortages or damage. If anything is found to be missing or damaged contact your supplier.
- 3.2. Save the packing material for future transportation of the compressor. We recommend that you store the packing in a safe location, at least for the period of the guarantee. Then, if necessary, it will be easier to send the compressor to the service centre.
- 3.3. Confirm the mains voltage corresponds with the voltage shown on the compressor data plate. Have a qualified electrician carry out the installation, in accordance with Section 1.1. Check that the motor operates in the correct direction (see arrow on belt cage) to confirm correct wiring of the 3-phase plug.
- 3.4. Fit the 4 rubber anti-vibration supports (fig.5), raise the compressor using a suitable pallet truck or fork lift and push the supports into the base of each foot.
- 3.5. The compressor should be operated on a flat surface, or one that does not exceed 10° either transversely or longitudinally and should be in a position that allows good air circulation around the unit with at least a 100cm gap between it and any obstacles or walls (fig.1).
- 3.6. Before using the compressor, check the oil level by observing the sight glass (SAC72775BLN - fig.2), or the reference marks on the oil dipstick (SAC42755BLN - fig.3). If the oil is not up to the maximum mark, it should be topped up with synthetic oil (see section 5.6). We do not recommend using mineral oil in these compressors. Do not overfill.  
**NOTE:** The top cover will need to be removed (4 bolts) for access to the dipstick (SAC42755BLN) and the filling apertures on both models. Ensure that the compressor is unplugged before removing panels.
- 3.7. When fully installed, start the compressor and ensure that everything is in good working order before operational use. Re-check the oil level.



## 4. OPERATION

- ❑ **WARNING! Ensure that you have read, understood and apply Section 1 safety instructions.**
- ❑ **IMPORTANT!** The use of extension leads to connect these compressors to the mains is not recommended as the resulting voltage drop reduces motor, and therefore pump performance which may cause damage to your compressor.

**NOTE:** Take care when selecting tools for use with the compressor. Air tool manufacturers normally express the volume of air required to operate a tool in cubic feet per minute (cfm). This refers to free air delivered by the compressor (air out) which varies according to the pressure setting. Do not confuse this with the compressor displacement which is the air taken in by the compressor (air in). 'Air out' is always less than 'air in' due to losses within the compressor.

### 4.1. STARTING THE COMPRESSOR

Check that the OFF switch (fig.4) is pushed in (the OFF position). To turn the compressor on, plug mains lead into mains supply, press the "ON" button on the front panel (fig.4).

4.2. When starting the compressor for the first time, leave it running with no air tools connected to the air outlet. Make sure that pressure in the tank rises and that the compressor stops automatically when the maximum pressure value allowed (written on the plate and shown on the gauge in fig.4) is achieved. The compressor will now operate automatically. The pressure switch stops the motor when the maximum tank pressure is reached and restarts it when the pressure falls below the minimum threshold - approx. 2 bar (29psi) less than the maximum pressure.

4.3. Stop the compressor by pressing the OFF switch in (fig.4). The compressed air inside the compressor head will flow out, making the restart easier and preventing the motor from being damaged.

**DO NOT**, other than in an emergency, stop the compressor by switching off the mains power, or by pulling the plug out, as the pressure relief will not then operate and motor damage may result upon restart.

When the compressor runs correctly and is stopped correctly there will be:

(a) a whistle of compressed air when the motor stops.

(b) a protracted whistle (about 20-25 seconds) when the compressor starts with no pressure in the tank.

**NOTE:** If the motor does not cut in and out, but runs continuously when using an air appliance, the capacity of the compressor may be too small for the equipment or tool.

The gauge (fig.4) indicates the pressure inside the main tank, NOT the pressure supplied to the air equipment. Should the pressure in the main tank exceed the pre-set switch maximum, a safety valve will activate.

**WARNING! For this reason DO NOT tamper with, or adjust, the switch or safety valve.**



## 5. MAINTENANCE

In order to keep the compressor in good working condition, periodic maintenance is essential.

**IMPORTANT! Failure to carry out maintenance tasks may invalidate the warranty on your compressor.**

- ❑ **WARNING! Before performing any maintenance operation, switch off the compressor, disconnect from electricity supply and release all air from the tank (Except for 5.4a).**

### 5.1. Operations to be carried out after the first 50 working hours:

- a) Check that all bolts/nuts are tight, particularly those retaining the crankcase and cylinder head.
- b) Replace the lubricating oil - see para 5.5a. below.

### 5.2. Operations to be carried out weekly:

- a) Drain condensation by opening the valve located in the front leg (fig.6). Place a container under the valve and open the valve by turning anti-clockwise.

- ❑ **WARNING! Take care if there is compressed air in the tank, as water could flow out with considerable force. Recommended pressure 1 - 2bar max.**

### 5.3. Operations to be carried out every 50 hours

- a) Check oil level and if necessary, top up.
- b) Check for oil leaks.

### 5.4. Operations to be carried out every 100 hours:

(or more frequently, if the compressor operates in a very dusty atmosphere):

- a) Turn off the compressor and remove the top cover by removing the four bolts. Remove the air filter element (fig.7). Using stored air from it's tank, clean the filter with compressed air. (Wear eye protection and **DO NOT** direct air towards the body or hands). **DO NOT** operate the compressor without the filter as foreign bodies or dust could seriously damage the pump. Replace the filter element. Replace top cover.
- b) Check the automatic cut-out at max. pressure and the automatic cut-in at 2bar below.

### 5.5. Operations to be carried out every 500 hours:

- a) Replace the lubricating oil. For oil specifications see 5.6. Remove the top cover (4 bolts) and the side cover (4 bolts). Remove the dipstick/breather plug then unscrew the oil drain plug (figs.2 & 3), drain the oil into a container. If possible drain when the compressor is hot so that oil drains rapidly and completely. Replace oil drain plug and refill through the dipstick/breather aperture. Do not overfill. Replace dipstick/breather.
- b) Replace air filter (see 5.4a. for access).
- c) Check all tube fittings and electrical connections.
- d) Inspect pressure tank inside and out for damage or corrosion.

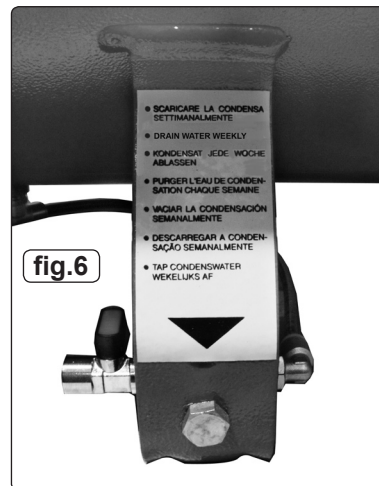
- ❑ **WARNING! Never mix different oils and do not use non-detergent/low quality oils as the compressor may be damaged.**

- ❑ **WARNING! Dispose of waste oil only in accordance with local authority requirements.**

### 5.6. Recommended oils

Synthetic oil suitable for temperatures ranging from -5°C to 45°C, viscosity 5W50. We do not recommend using mineral oil in these compressors.

Part No.	Qty.	Description
FSO1	1ltr x 12	Compressor oil - fully synthetic
FSO1S	1ltr x 1	Compressor oil - fully synthetic
FSO5	5ltr x 1	Compressor oil - fully synthetic

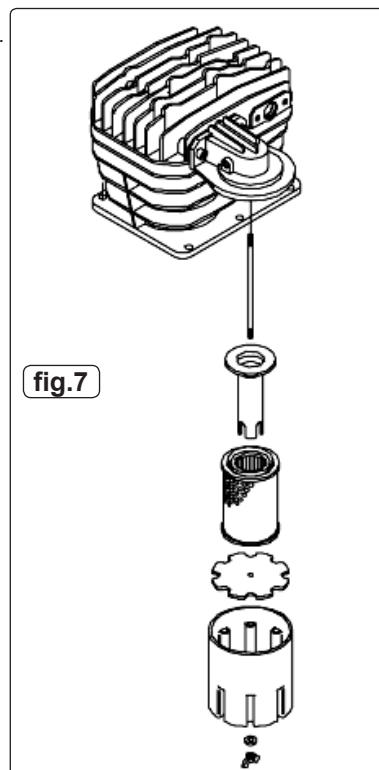


**IMPORTANT WARNING** - Air contaminants taken into the compressor will affect optimum performance.

**Example:** Body filler dust or paint over-spray will clog the pump intake filter and may cause internal damage to pump/motor components. Please note that any parts damaged by any type of contamination will not be covered by warranty.

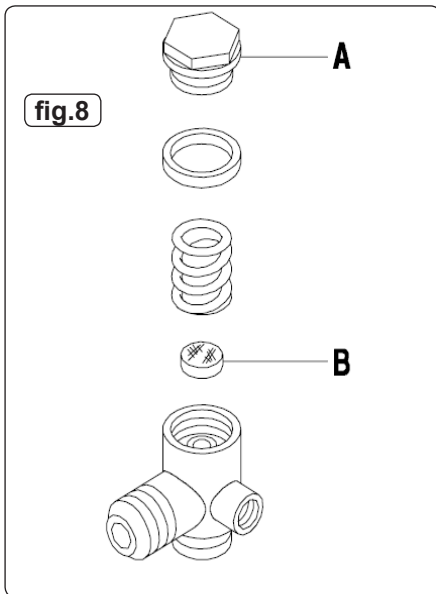
### 5.7. Scheduled maintenance tables

Maintenance Operations	Weekly	50hrs	100hrs	500hrs
Drain condensation	•			
Check oil level		•		
Clean for oil leaks		•		
Check intake filter			•	
General cleaning of compressor			•	
Check cut-out			•	
Replace oil				•
Replace air filter				•
Check tube fittings and electrical connections				•
Internal & external inspection of tank				•



## 6. TROUBLE SHOOTING

Fault	Cause	Remedy
Pressure drop in the tank.	Air leaks at connections.	Run compressor to max. pressure, switch off. Brush soap solution over connections and look for bubbles. Tighten connections showing leaks. If problem persists contact Authorised Service Agent.
Pressure switch valve leaks when compressor is idle.	Non-return valve seal defective.	Discharge all tank pressure. Referring to fig.8, unscrew valve cap 'A'. Clean rubber disc 'B' and its seat. Refit all parts accurately.
Compressor stops and does not restart.	Power failure. Motor failure.	Check electricity supply and fuse. Contact Authorised Service Agent.
Compressor does not stop at max pressure.	Pressure switch fault.	Contact Authorised Service Agent.
Compressor does not reach max pressure.	Filter clogged. Head gasket or valve fault.	Replace filter element. Contact Authorised Service Agent.
Compressor noisy with metallic knock.	Low oil level. Bearing or piston damage.	Turn off and top up oil immediately. Contact Authorised Service Agent.



Parts support is available for this product. To obtain a parts listing and/or diagram, please log on to [www.sealey.co.uk](http://www.sealey.co.uk), email [sales@sealey.co.uk](mailto:sales@sealey.co.uk) or phone 01284 757500.

**NOTE:** It is our policy to continually improve products and as such we reserve the right to alter data, specifications and component parts without prior notice.

**IMPORTANT:** No liability is accepted for incorrect use of this product.

**WARRANTY:** Guarantee is 12 months from purchase date, proof of which will be required for any claim.

**INFORMATION:** For a copy of our latest catalogue and promotions call us on 01284 757525 and leave your full name and address, including postcode.



Sole UK Distributor, Sealey Group,  
Kempson Way, Suffolk Business Park,  
Bury St. Edmunds, Suffolk,  
IP32 7AR



01284 757500



[www.sealey.co.uk](http://www.sealey.co.uk)



01284 703534



[sales@sealey.co.uk](mailto:sales@sealey.co.uk)

