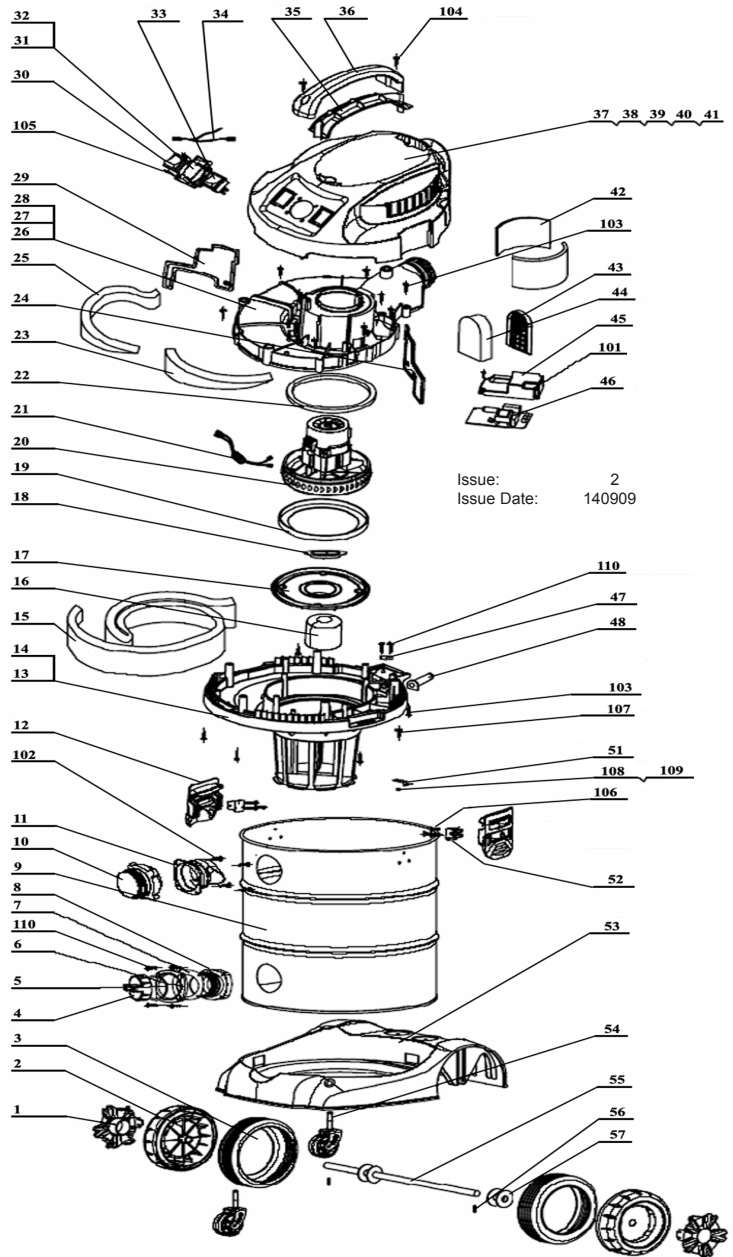


**PARTS FOR:**  
**VACUUM CLEANER INDUSTRIAL 30ltr 1400W / 230V**  
**STAINLESS BIN (AUTO START)**  
**MODEL: PC300SDAUTO.V3**

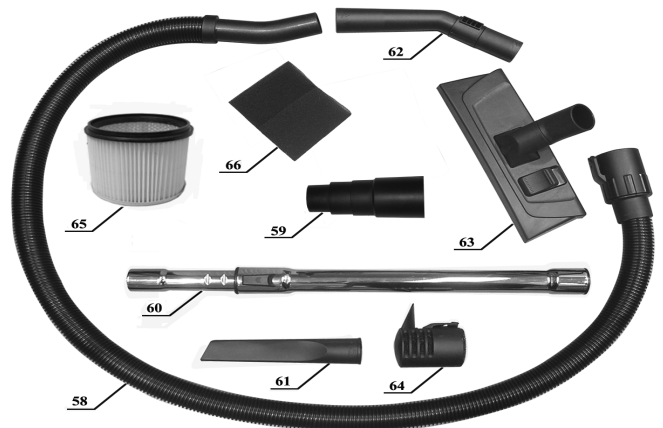
ITEM	PART NO	DESCRIPTION
1	PC300SD.V3-01	WHEEL COVER
2	PC300SD.V3-02	WHEEL
3	PC300SD.V3-03	WHEEL SURROUND
4	PC300SD.V3-04	WATERSPOUT COVER
5	PC300SD.V3-05	SEAL RING
6	PC300SD.V3-06	WATERSPOUT
7	PC300SD.V3-07	DRAIN INLET
8	PC300SD.V3-08	WATERSPOUT SEAT
9	PC300SD.V3-09	TANK
10	PC300SD.V3-10	HOSE INLET
11	PC300SD.V3-11	HOSE INLET BASE
12	PC300SD.V3-12	BIN CLIP
13	PC300SD.V3-13	LOWER COVER
14	PC300SD.V3-14	FOAM RING
15	PC300SD.V3-15	SILENCER SPONGE
16	PC300SD.V3-16	FLOAT
17	PC300SD.V3-17	TRAY
18	PC300SD.V3-18	PLASTIC FENCE
19	PC300SD.V3-19	SEAL RING
20	PC300SDAV3.20	SEAL RING & MOTOR
21	PC300SDAV3.21	CAPACITOR & INDUCTANCE
22	PC300SD.V3-22	SEAL RING
23	PC300SD.V3-23	SILENCER FOAM
24	PC300SD.V3-24	AIR BLOCK BOARD
25	PC300SD.V3-25	SILENCER FOAM
26	PC300SD.V3-26	AIR OUTLET
27	PC300SD.V3-27	DAMPING BAR
28	PC300SD.V3-28	SEAL
29	PC300SD.V3-29	AIR BLOCK BOARD
30	PC300SD.V3-30	SWITCH
31	PC300SDAV3.31	SOCKET
32	PC300SDAV3.32	SOCKET COVER
33	PC300SDAV3.33	SWITCH
34	PC300SDAV3.34	CORD
35	PC300SD.V3-31	LOWER HANDLE
36	PC300SD.V3-32	UPPER HANDLE
37	PC300SD.V3-33	UPPER COVER
38	PC300SD.V3-34	SILENCER FOAM
39	PC300SDAV3.39	LABEL
40	PC300SDAV3.40	LABEL
41	PC300SDAV3.41	NAMEPLATE
42	PC300SD.V3-37	SILENCER FOAM
43	PC300SD.V3-38	FILTER COVER
44	PC300SD.V3-39	FOAM FILTER
45	PC300SDAV3.45	WATERPROOF COVER
46	PC300SDAV3.46	PCB
47	PC300SD.V3-40	CORD CLAMP
48	PC300SDAV3.48	CABLE SLEEVE
51	PC300SDAV3.51	EARTH PLATE
52	PC300SD.V3-43	HOOK BASE
53	PC300SD.V3-44	TANK BASE
54	PC300SD.V3-45	CASTOR
55	PC300SD.V3-46	WHEEL SHAFT
56	PC300SD.V3-47	BOLT
57	PC300SD.V3-48	WASHER
101	PC300SDAV3101	SCREW (ST2.9 x 12)
102	PC300SDAV3102	SCREW (ST3.9 x 14)
103	PC300SDAV3103	SCREW (ST3.9 x 16)
104	PC300SDAV3104	SCREW (ST3.9 x 16)
105	PC300SDAV3105	SCREW (ST4.2 x 14)
106	PC300SDAV3106	SCREW (ST3.9 x 8)
107	PC300SDAV3107	SCREW (M4 x 10)
108	PC300SDAV3108	NUT M4
109	PC300SDAV3109	WASHER
110	PC300SDAV3110	SCREW (ST3.9 x 16)



Issue: 2  
 Issue Date: 140909

## ACCESSORIES

ITEM	PART NO	DESCRIPTION
58	PC300SDAV3.58	HOSE 3M
59	PC300SDAV3.59	ADAPTOR
60	PC300SD.V3-53	TELESCOPIC STAINLESS TUBE
61	PC300SD.V3-54	CREVICE TOOL
62	PC300SD.V3-55	ADJUSTABLE TUBE, AIR
63	PC300SD.V3-56	COMBO BRUSH
64	PC300SD.V3-57	NOISE DIFFUSER MUFFLER
65	PC200CFL	LOCKING CARTRIDGE FILTER
66	PC200FF10	FOAM FILTER (pk of 10)
--	PC300PB5	DUST COLLECTION BAGS (pk of 5)



**NOTE:** It is our policy to continually improve products and as such we reserve the right to alter data, specifications and component parts without prior notice.

**IMPORTANT:** No liability is accepted for incorrect use of product.

**WARRANTY:** Guarantee is 12 months from purchase date, proof of which will be required for any claim.

**INFORMATION:** For a copy of our latest catalogue and promotions call us on 01284 757525 and leave your full name and address, including postcode.