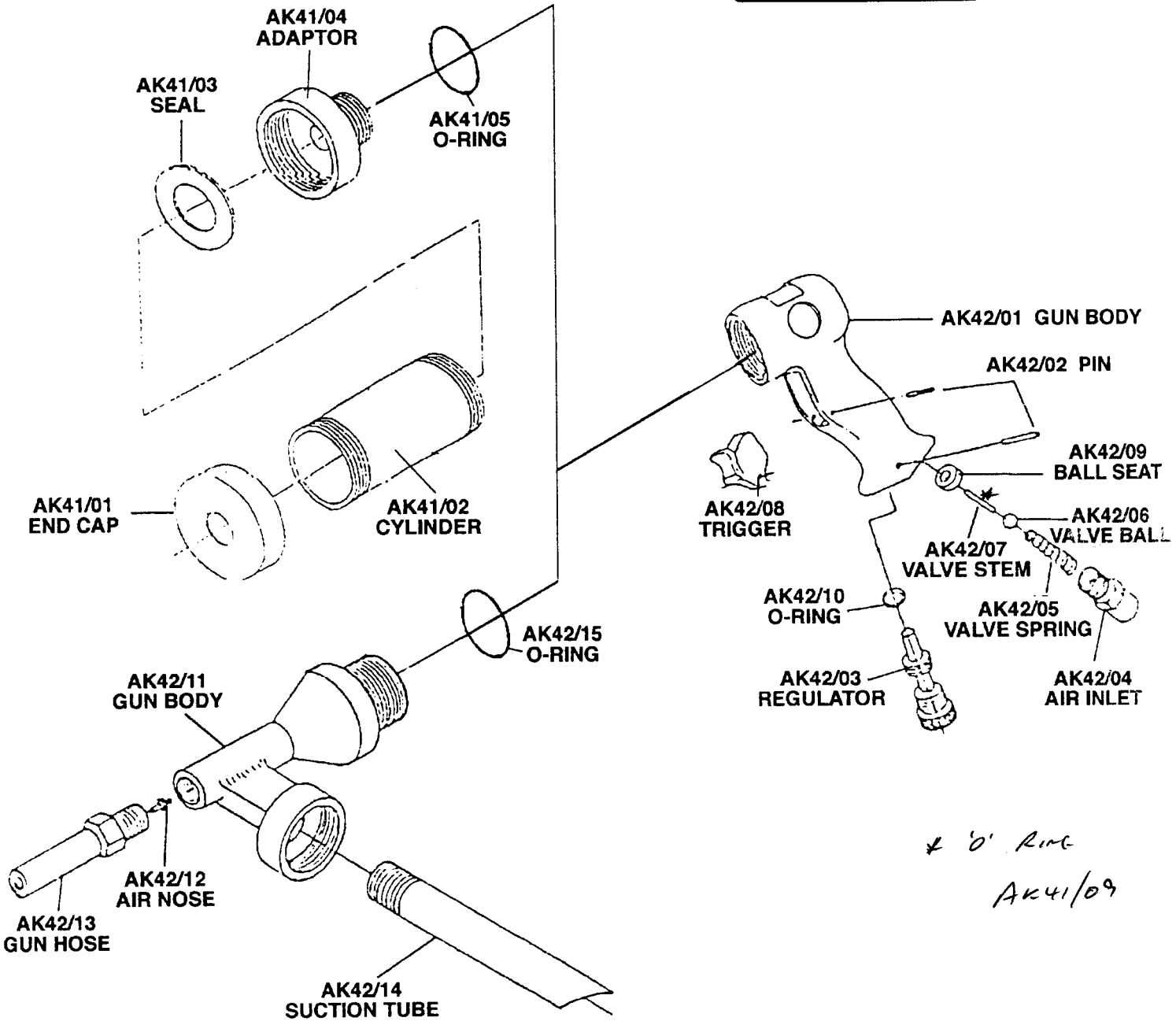


## AK41 & AK42 PARTS DIAGRAM

Original Date: 26/01/93  
Issue Date: 25/10/96  
Version Number: 1  
Date Modified: 25/10/96



\* 'o' Ring  
AK41/09