

Thank you for purchasing a Sealey product. Manufactured to a high standard this product will, if used according to these instructions and properly maintained, give you years of trouble free performance.



IMPORTANT: PLEASE READ THESE INSTRUCTIONS CAREFULLY. NOTE THE SAFE OPERATIONAL REQUIREMENTS, WARNINGS & CAUTIONS. USE THE PRODUCT CORRECTLY AND WITH CARE FOR THE PURPOSE FOR WHICH IT IS INTENDED. FAILURE TO DO SO MAY CAUSE DAMAGE AND/OR PERSONAL INJURY, AND WILL INVALIDATE THE WARRANTY. PLEASE KEEP INSTRUCTIONS SAFE FOR FUTURE USE.

1. SAFETY INSTRUCTIONS

1.1. ELECTRICAL SAFETY

WARNING! It is the responsibility of the owner and the operator to read, understand and comply with the following:

You must check all electrical products, before use, to ensure that they are safe. You must inspect power cables, plugs, sockets and any other connectors for wear or damage. You must ensure that the risk of electric shock is minimised by the installation of appropriate safety devices. A Residual Current Circuit Breaker (RCCB) should be incorporated in the main distribution board. We also recommend that a Residual Current Device (RCD) is used. It is particularly important to use an RCD with portable products that are plugged into a supply which is not protected by an RCCB. If in any doubt consult a qualified electrician. You may obtain a Residual Current Device by contacting your Sealey dealer. **You must** also read and understand the following instructions concerning electrical safety.

1.1.1. The Electricity at Work Act 1989 requires that all portable electrical appliances, if used on business premises, are tested by a qualified electrician, using a Portable Appliance Tester (PAT), at least once a year.

1.1.2. The Health & Safety at Work Act 1974 makes owners of electrical appliances responsible for the safe condition of those appliances and the safety of the appliance operators. If in any doubt about electrical safety, contact a qualified electrician.

1.1.3. Ensure that the insulation on all cables and on the appliance is safe before connecting it to the power supply. See 1.1.1. and 1.1.2. and use a Portable Appliance Tester.

1.1.4. Ensure that cables are always protected against short circuit and overload.

1.1.5. Regularly inspect power supply cables and plugs for wear or damage and check all connections to ensure that none is loose.

1.1.6. Important: Ensure that the voltage marked on the appliance matches the power supply to be used and that the plug is fitted with the correct fuse - see fuse rating at right.

1.1.7. **DO NOT** pull or carry the appliance by the power cable.

1.1.8. **DO NOT** pull the plug from the socket by the cable.

1.1.9. **DO NOT** use worn or damaged cables, plugs or connectors. Immediately have any faulty item repaired or replaced by a qualified electrician. When a BS 1363/A UK 3 pin plug is damaged, cut the cable just above the plug and dispose of the plug safely.

Fit a new plug according to the following instructions (UK only).

a) Connect the GREEN/YELLOW earth wire to the earth terminal 'E'.

b) Connect the BROWN live wire to the live terminal 'L'.

c) Connect the BLUE neutral wire to the neutral terminal 'N'.

d) After wiring, check that there are no bare wires, that all wires have been correctly connected, that the cable outer insulation extends beyond the cable restraint and that the restraint is tight.

Double insulated products, which are always marked with this symbol , are fitted with live (brown) and neutral (blue) wires only.

To rewire, connect the wires as indicated above - **DO NOT** connect either wire to the earth terminal.

1.1.10. Products which require more than 13 amps are supplied without a plug. In this case you must contact a qualified electrician to ensure that a suitably rated supply is available. We recommend that you discuss the installation of an industrial round pin plug and socket with your electrician.

1.1.11. If an extension reel is used it should be fully unwound before connection. A reel with an RCD fitted is preferred since any appliance plugged into it will be protected. The cable core section is important and should be at least 1.5mm², but to be absolutely sure that the capacity of the reel is suitable for this product and for others which may be used in the other output sockets, we recommend the use of 2.5mm² section cable.

1.2. GENERAL SAFETY

WARNING! Ensure Health & Safety, local authority, and general workshop practice regulations are adhered to when using this equipment.

✓ Familiarise yourself with the application, limitations and potential hazards of the soldering iron.

✓ Replace or repair damaged parts. Use genuine parts only. Non-authorized parts may be dangerous and will invalidate the warranty.

✓ Locate in a suitable work area, keep the work area clean and tidy, and free from unrelated materials. Ensure there is adequate lighting.

✓ Keep the soldering iron clean for best and safest performance.

✓ Ensure there are no flammable or combustible materials near the work area.

✓ Wear approved safety eye protection (standard spectacles are not adequate).

✓ Wear appropriate protective clothing.

✓ Remove ill fitting clothing, ties, watches, rings and other loose jewellery and contain long hair.

✓ Ensure the workpiece is adequately held before operating the soldering iron.

✓ Always use the stand provided for the soldering iron, so that the tip cannot make contact with the work surface.

✓ Ensure that when the soldering iron is put down during use, that the tip is not near to, or in contact with any material that may burn or melt, including the products own supply lead.

✓ Remove excess solder from the soldering iron by wiping the tip on a damp sponge.

x **DO NOT** attempt to remove excess solder from the soldering iron by shaking it, as hot solder may become airborne and land on skin causing burns and blisters.

x **DO NOT** allow children or pets into the area where the soldering is taking place.

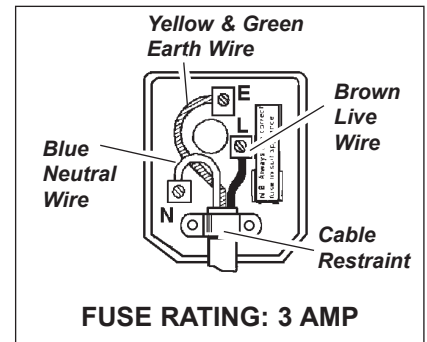
x **DO NOT** attempt to cool the soldering iron with water.

WARNING! Disconnect the soldering iron from the mains supply and allow it to cool before changing tips.

x **DO NOT** operate the soldering iron when you are tired, under the influence of alcohol, drugs or intoxicating medication.

x **DO NOT** leave a hot soldering iron unattended.- If leaving the work area, even for a short period of time, switch it off and allow to cool.

x **DO NOT** use the soldering iron for any purpose other than that for which they have been designed.



- x **DO NOT** touch the workpiece immediately after working on it, as it will be very hot. Allow it to cool.
- x **DO NOT** allow untrained persons or children to operate the soldering iron.
- x **DO NOT** operate the soldering iron if damaged.
- x **DO NOT** hold the workpiece by hand.
- ✓ When finished working, store the soldering iron in a safe, dry, childproof location.

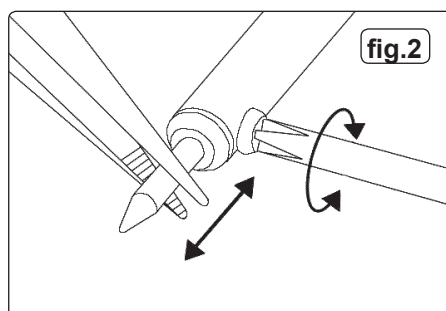
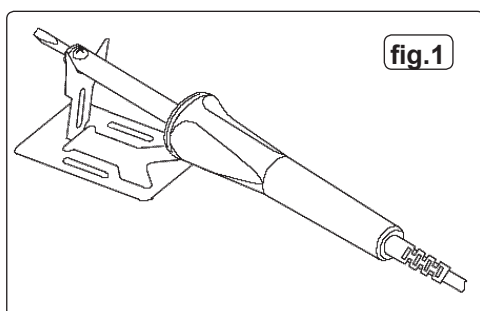
2. SPECIFICATION

Ergonomic handle design with comfortable grip, LED indicator and three position switch. Dual wattage settings allow the user to carry out work requiring different temperatures. Fitted with high quality long life tip, suitable for lead free soldering, and a 1.3mtr cable.

SD1530: Position 1 - 15 Watt, Position 2 - 30 Watt
SD4080: Position 1 - 40 Watt, Position 2 - 80 Watt

3. OPERATION

- 3.1. The soldering iron is primarily intended for the soldering of electrical joints such as the attachment of components to printed circuit boards and the connection of leads to plugs and sockets used in electronics. (Where delicate electronic components are concerned that may be damaged by excessive heat, the wire being soldered should be held with a pair of thin nosed pliers on the opposite side of the board so that some of the heat generated by the soldering process is transferred to the pliers.)
- 3.2. Before using the soldering iron, set up the metal stand provided by bending the centre section upwards so that it is at an angle of nearly 90° to the rest of the stand (fig.1). Rest the soldering iron on the stand. Plug the iron into the mains supply and slide the switch to either position 'I' or 'II', for the desired wattage setting. Leave the iron on the stand, for it to heat up.
- 3.3. When the iron is up to temperature, "tin" the tip by melting a thin layer of solder over the end of it. If any difficulty is experienced in getting the solder to take to the tip, use a proprietary tip cleaner/tinning product.
- 3.4. The items to be soldered must be perfectly clean and free from grease. Ideally, the two items to be joined (such as the end of a wire and a switch terminal) should be individually tinned before being brought together to ensure a good joint.
- 3.5. Ensure that the items to be soldered are accessible and are securely held together.
- 3.6. Bring the tip of the soldering iron and the solder to the joint simultaneously. Leave the iron on the joint just long enough to melt the solder so that it flows onto the two parts to be joined. Replace the soldering iron on the stand. Leave the joint to cool. When finished working, slide the switch to the '0' position and unplug the iron from its supply. Allow it to fully cool before storing it away.
- 3.7. Do not allow solder to accumulate where the tip enters the iron as this may make the tip difficult to remove. Do not get solder deposits on the tip retaining screw as it may prevent a screwdriver fitting into the cross head. Periodically loosen the tip retaining screw and rotate the tip in the iron to prevent it seizing into the body. Use a proprietary tip cleaner/tinner to keep the tip clean and correctly tinned.



- 3.8. When the soldering iron is not in use but still hot, ensure that when it is put down, the tip is not touching, or close to, any material that will melt or is inflammable.
- 3.9. After a prolonged period of service the tip may become pitted and need replacing. Disconnect the soldering iron from the mains supply and wait until the iron has completely cooled down. Loosen the tip retaining nut and pull out the old tip with a pair of pliers. (If the old tip is difficult to remove, grip it with a pair of pliers and pull it out. Do not use pliers to insert the new tip as the plating may be damaged.) Insert the new tip and twist it into the orientation you require. Lock the tip in place by tightening the retaining screw (fig.2). Sealey Part No's for Replacement tips: Model No. SD1530 - **SD1530/T**, Model No. SD4080 - **SD4080/T**.

Environmental Protection.



Recycle unwanted materials instead of disposing of them as waste. All tools, accessories and packaging should be sorted, taken to a recycle centre and disposed of in a manner which is compatible with the environment.



When the product is no longer required, it must be disposed of in an environmentally protective way.

NOTE: It is our policy to continually improve products and as such we reserve the right to alter data, specifications and component parts without prior notice.

IMPORTANT: No liability is accepted for incorrect use of this product.

WARRANTY: Guarantee is 12 months from purchase date, proof of which will be required for any claim.

INFORMATION: For a copy of our latest catalogue and promotions call us on 01284 757525 and leave your full name and address, including postcode.



Sole UK Distributor, Sealey Group,
Kempson Way, Suffolk Business Park,
Bury St. Edmunds, Suffolk,
IP32 7AR



01284 757500



www.sealey.co.uk



01284 703534



sales@sealey.co.uk